

Structure ID: JB-10

P1 MH048BA30

MH BASE T/n

P4) 24" - CASTING HEIGHT - 7" P3) 24" - GRADE RING F/F - 4" P2) 48" - ECC CONE w/ 24" HOLE F/G - 36" P1) 48" - MH BASE T/n - 30" 1) 48" - Conseal CS-102 1.00" 2) Hole - 16" 6) MH Step ML-10-TDS-NCR - 10"	0 lb 270 lb 3000 lb 3255 lb 0 lb 0 lb 0 lb ----- 6524 lb	Structure Total: 6524 lb
---	--	--------------------------

Structure Notes:

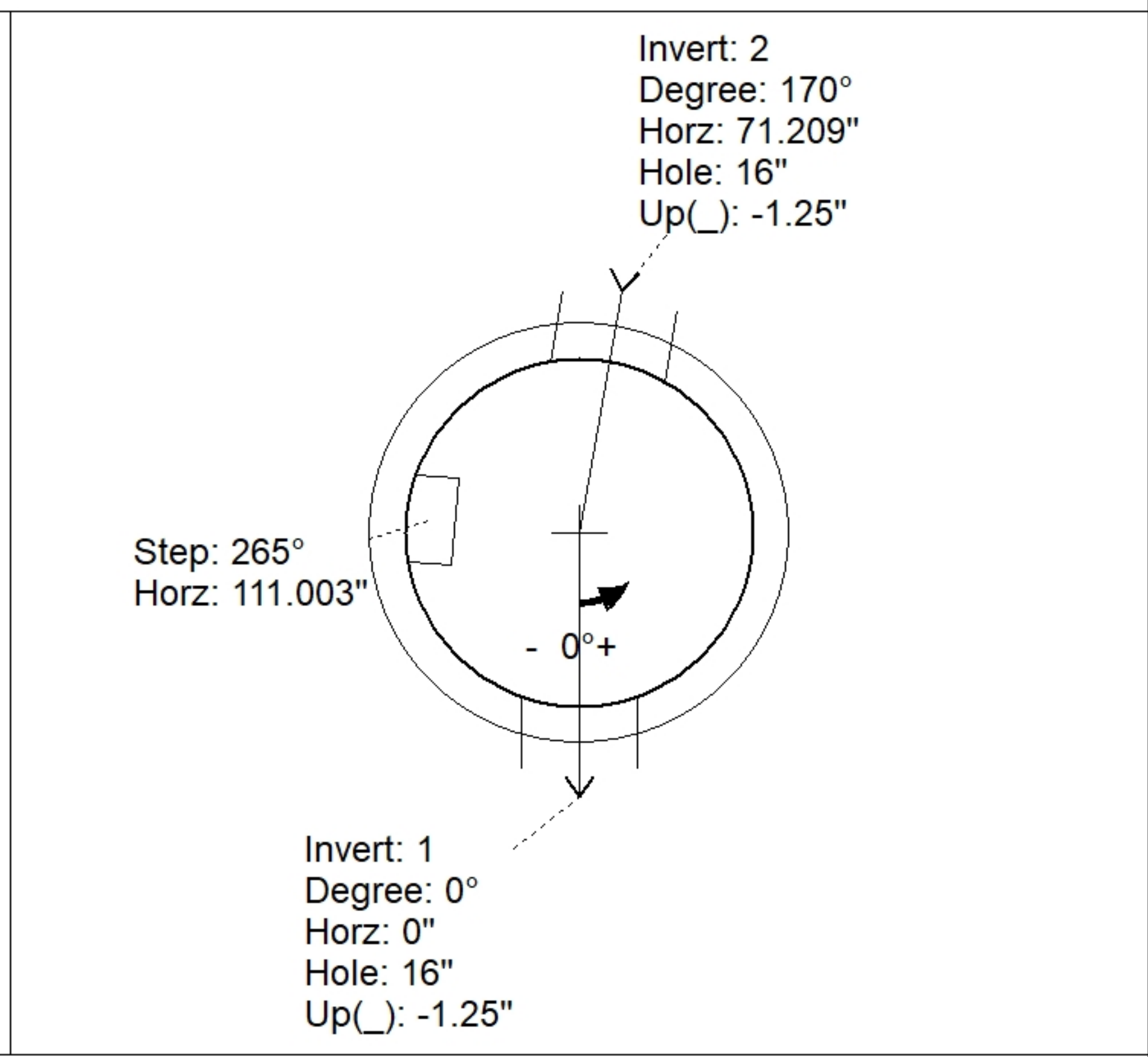
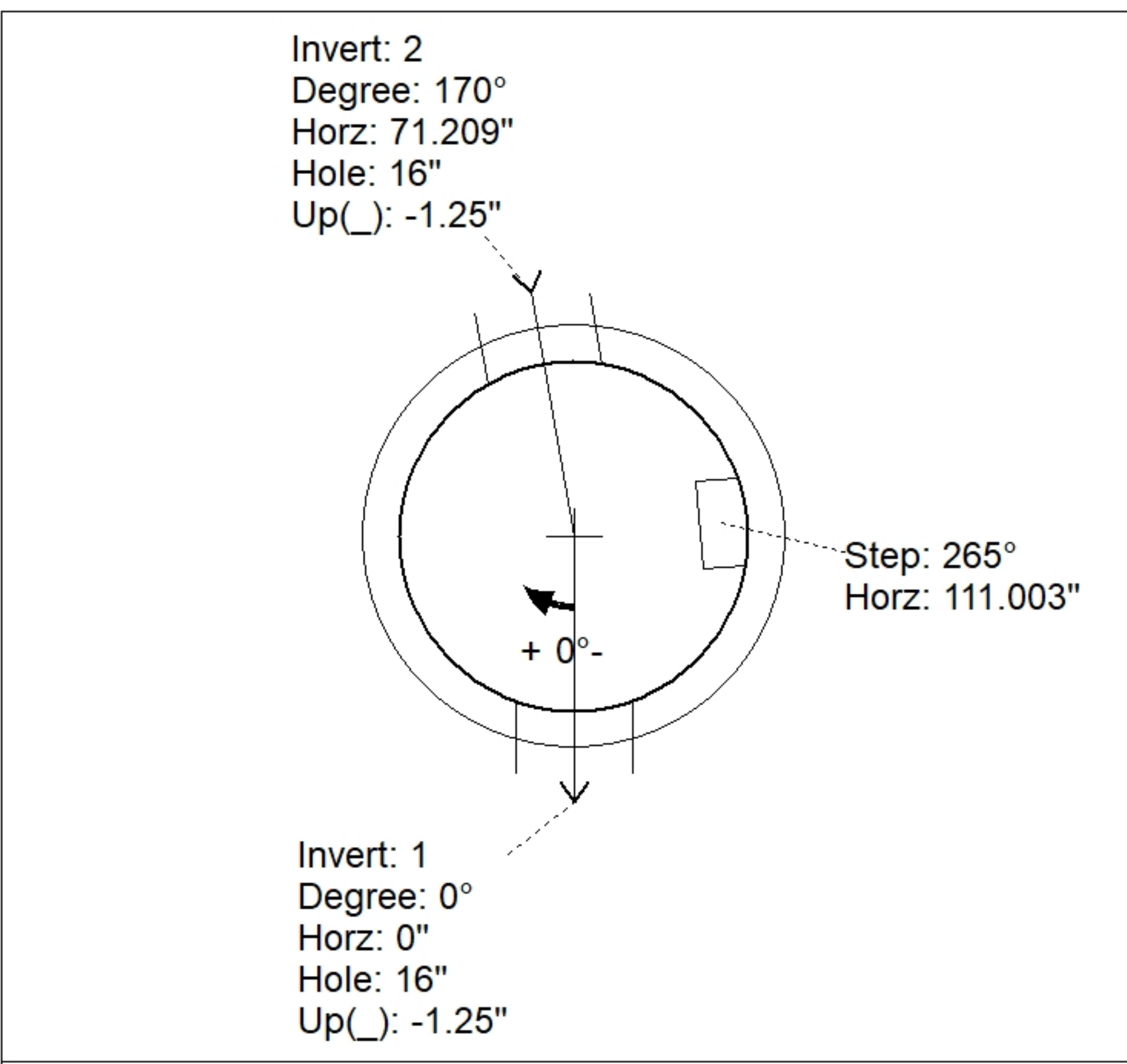
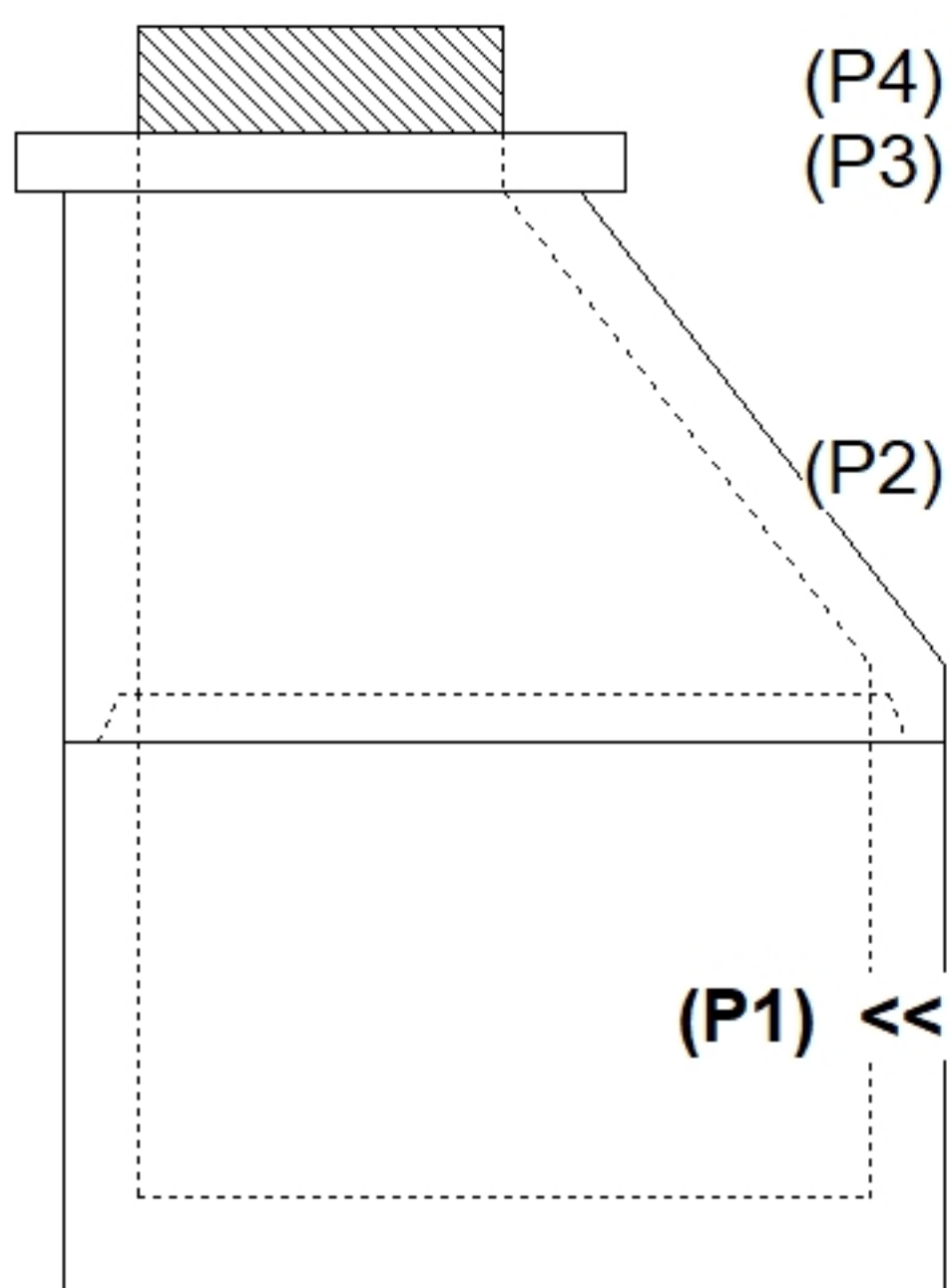
1. PER ASTM C478 SPECIFICATIONS.
2. CONCRETE = 4,000 PSI AT 28 DAYS.
3. REINFORCING PER ASTM A615 (GRADE 60).
 - TOP SLAB (As .62) #5 BARS AT 6" C.C.E.W..
 - RISER/WALLS (As .12)
 - FLOOR (As .31) #5 BARS AT 12" C.C.E.W.
4. CASTING HOE MC-420 F/C "STORM" BY ICAST.

Rim: 753' Rim to Invert: 6.52' Slack: 1.24" Sump: 0" Step Position: 265°

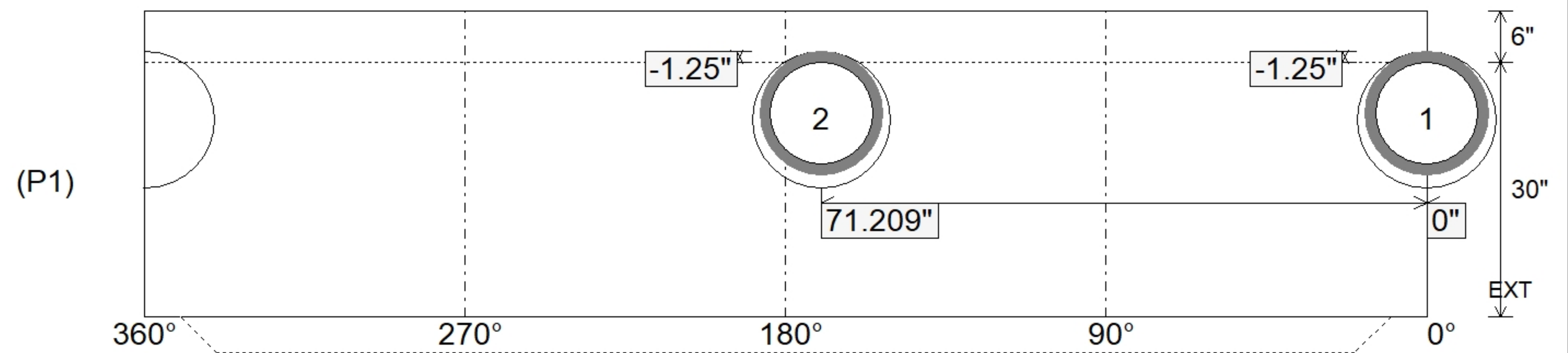
Position	Elev	Angle	Ext. (cw)	Pipe	Pipe OD	Connector	Hole	Horz Size	Up ()	Offset
Invert 1	746.48'	0°	0"	12" HDPE	14.5"	Hole 16	16"	16.312"	-1.25"	0"
Invert 2	746.48'	170°	86.045"	12" HDPE	14.5"	Hole 16	16"	16.312"	-1.25"	0"
Invert 3										
Invert 4										
Invert 5										
Invert 6										
Invert 7										
Invert 8										

RIGHT-SIDE UP VIEW (int. dimensions)

UPSIDE-DOWN VIEW (int. dimensions)



INSIDE WALL DIMENSIONS



Coating (Int): Coating (Ext):	Seam Up: Tongue Seam Dn: n/a	Wall Thickness: 5" Floor Height: 6"	Height (Int): 30" Height (Ext): 36"	Weight (Net): 3255 lb Volume (Net): 0.83cu.yd
----------------------------------	---------------------------------	--	--	--