



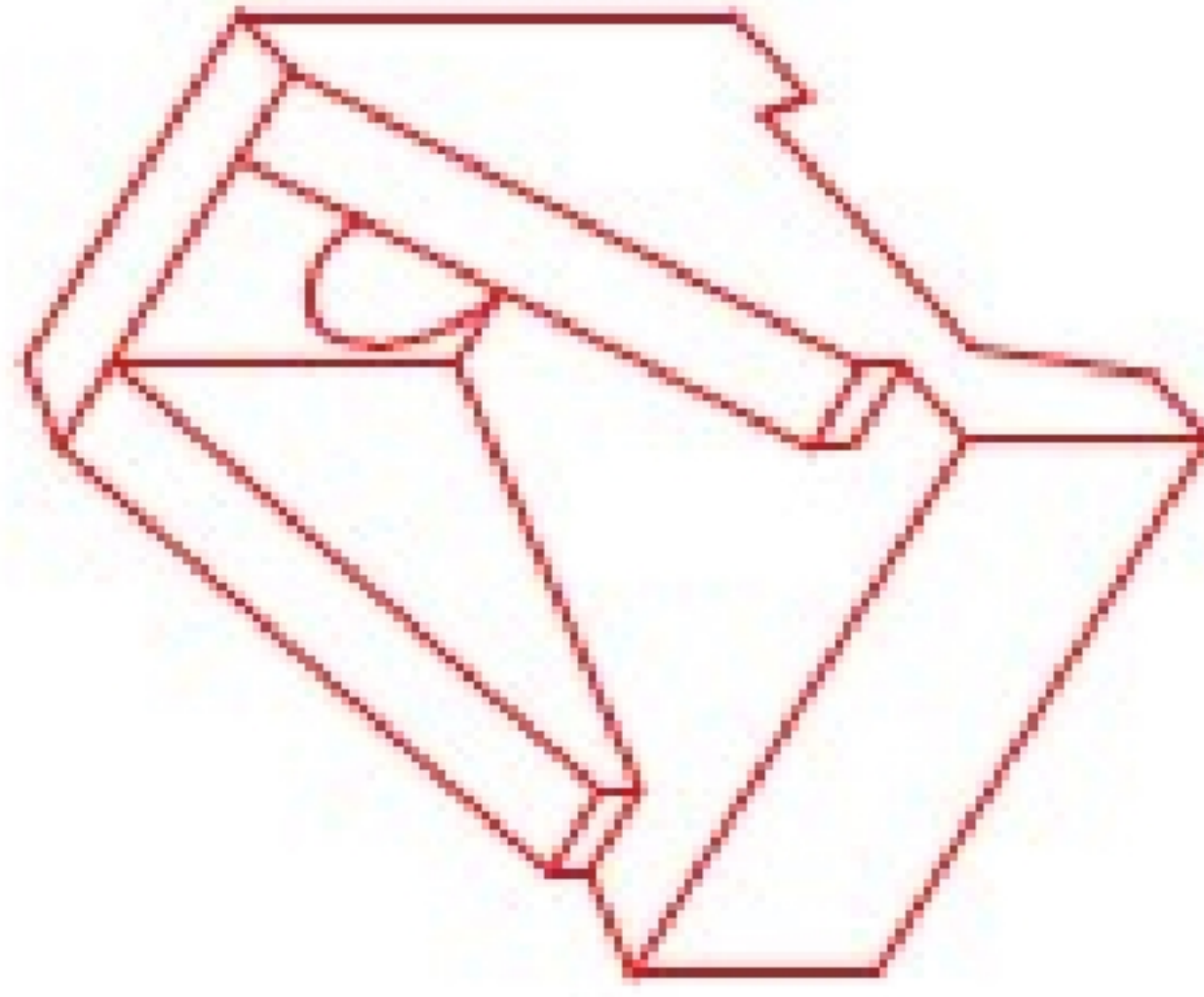
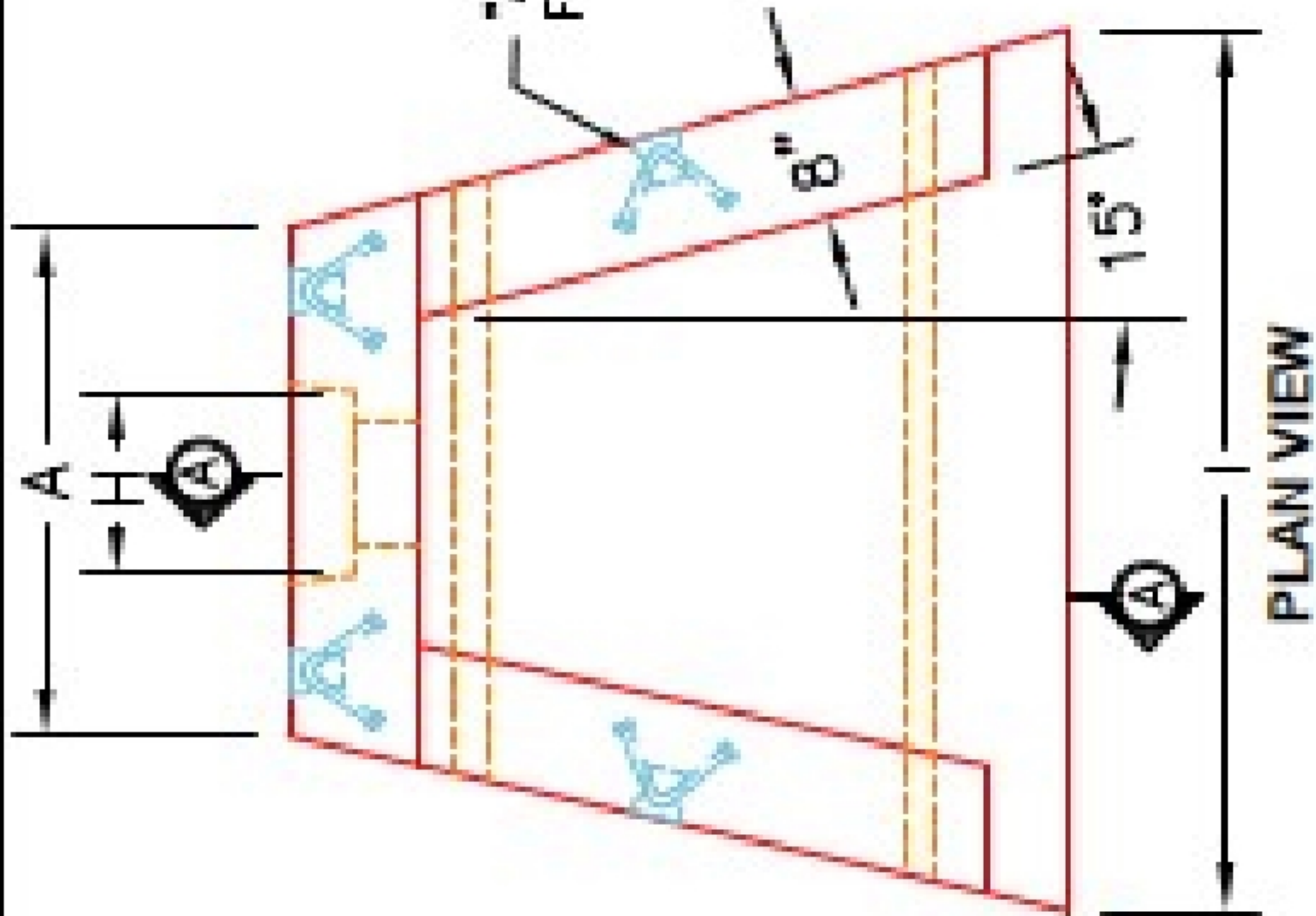
Structure ID: HW-7

P1 HWSF8

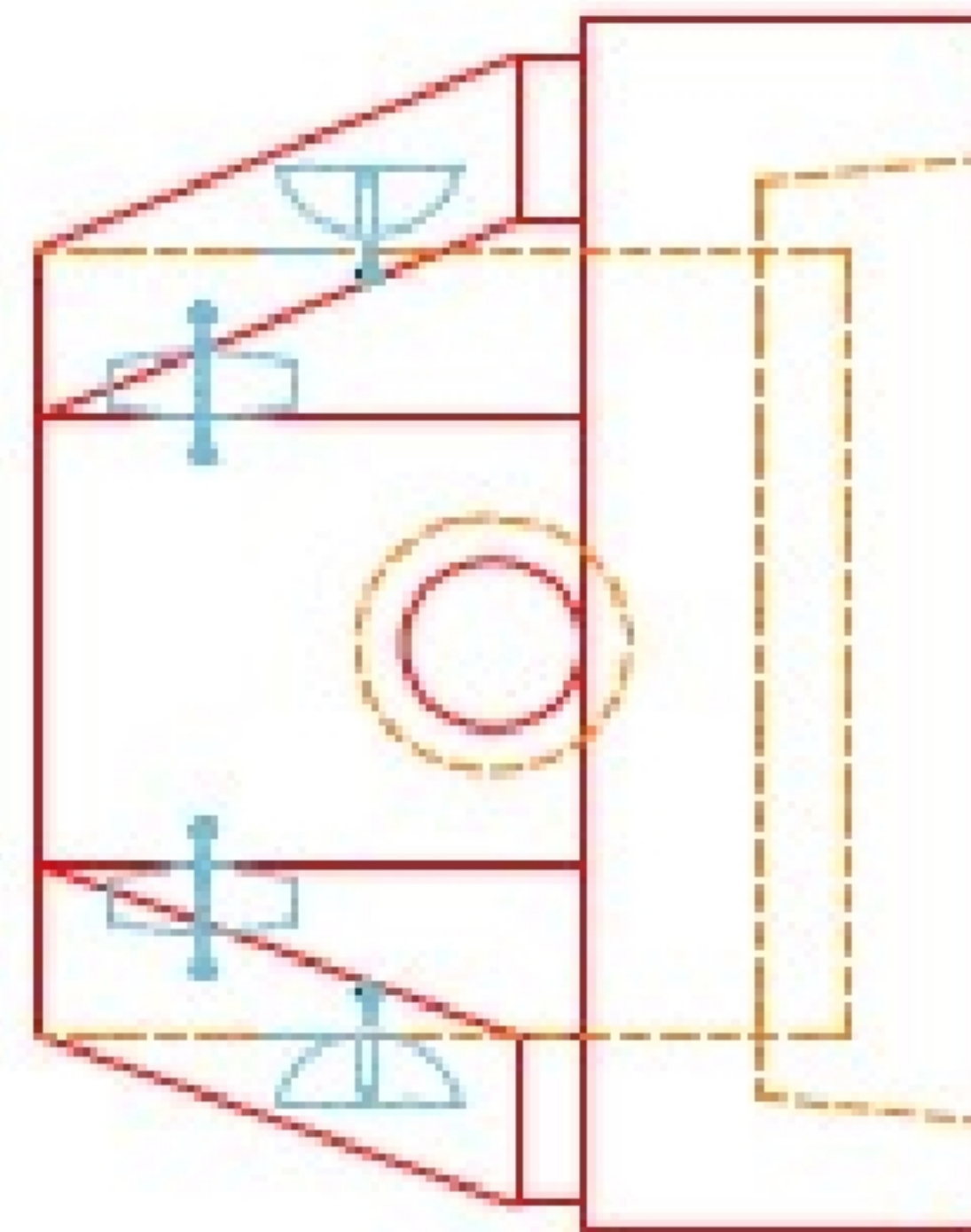
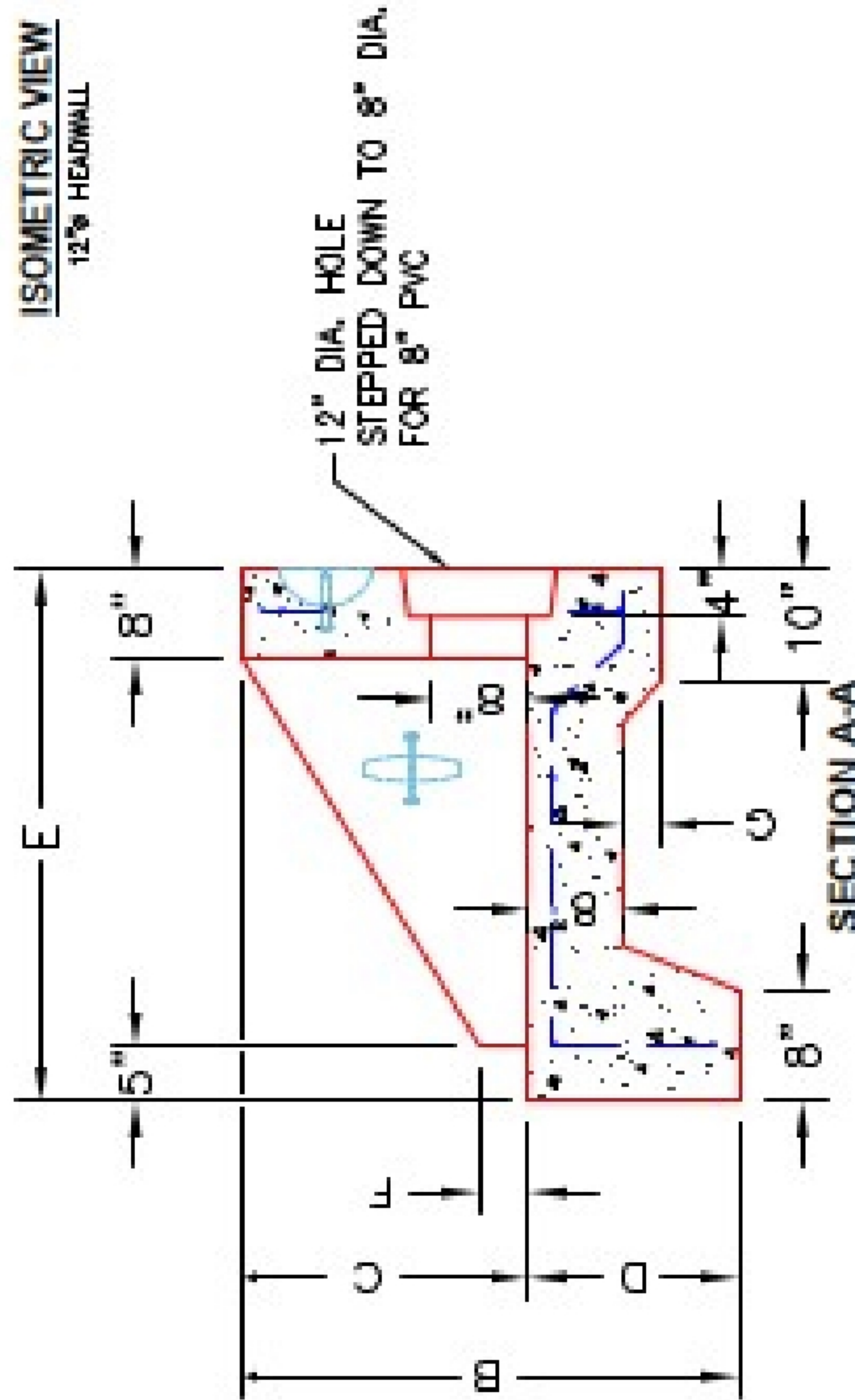
8" - SLOPED & FLARED HEADWALL F/F

DIMENSIONS										
PPE #	A	B	C	D	E	F	G	H	I	WEIGHT
8"	2'-0"	3'-8"	2'-0"	1'-8"	4'-0"	3"	2"	1'-4"	4'-9"	3,161 LBS.

"A"-ANCHOR LIFTING SYSTEM FOR PLANT & FIELD HANDLING.



ISOMETRIC VIEW
12% HEADWALL



FRONT ELEVATION

- NOTES:**
1. CONCRETE: 4500 PSI @ 28 DAYS.
 2. REINFORCING: #4 BAR @ 12" C/C E.W. - GRADE 60, (WITH 2" CONCRETE COVER MINIMUM)
 3. REINFORCING BARS TO BE TACK WELDED OR TIED.
 4. DRAWING TO BE USED IN CONJUNCTION WITH KYTC STD. DRAWING RDH-020-03 AND THE STANDARD SPECIFICATIONS FOR ROAD AND BRIDGE CONSTRUCTION.
 5. CHAMFER ON ALL EXPOSED EDGES.

PRODUCTION WORK ORDER		PRODUCT I.D.: HWSF8	DESCRIPTION: KYTC 8" SLOPED & FLARED HEADWALL
QUALITY CONTROL CHECKLIST		PRODUCT VIEW: RIGHT SIDE UP	CUSTOMER: STOCK
<input type="checkbox"/> ALL DIMENSIONS CORRECT.	<input type="checkbox"/> LIFTERS INSTALLED. <input type="checkbox"/> STEPPED IF CORRECT SIZE. <input type="checkbox"/> REINFORCING CORRECT. <input type="checkbox"/> DISSIPATOR BLOCK INSTALLED. <input type="checkbox"/> EDGES CHAMFERED. <input type="checkbox"/> ALL PATCHWORK ACCEPTABLE.	PLANT: BEAVER DAM, KY.	PROJECT: STOCK INVENTORY
<input type="checkbox"/> ALL PATCHWORK ACCEPTABLE.		WEIGHT: 3,161 LBS.	STRUCTURE ID.: T.B.D.
		TOP SECTION JOINT: N/A	SALES ORDER NO: T.B.D.
		BASE SECTION JOINT: N/A	PC: T.B.D.
		QC CHECK INITIALS:	DATE: 07/21/23
		SCALE: NTS	PG. 1 of 1

