



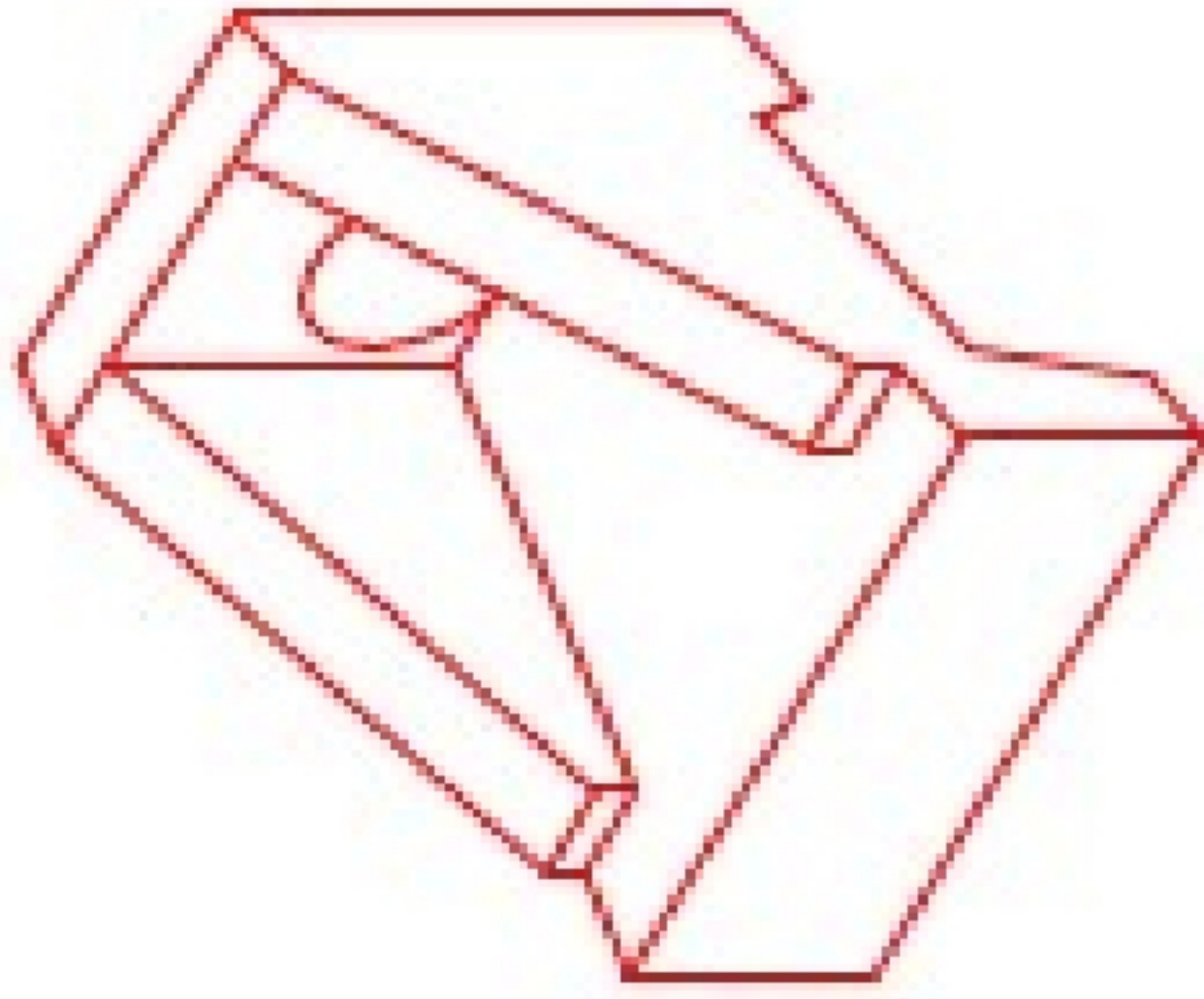
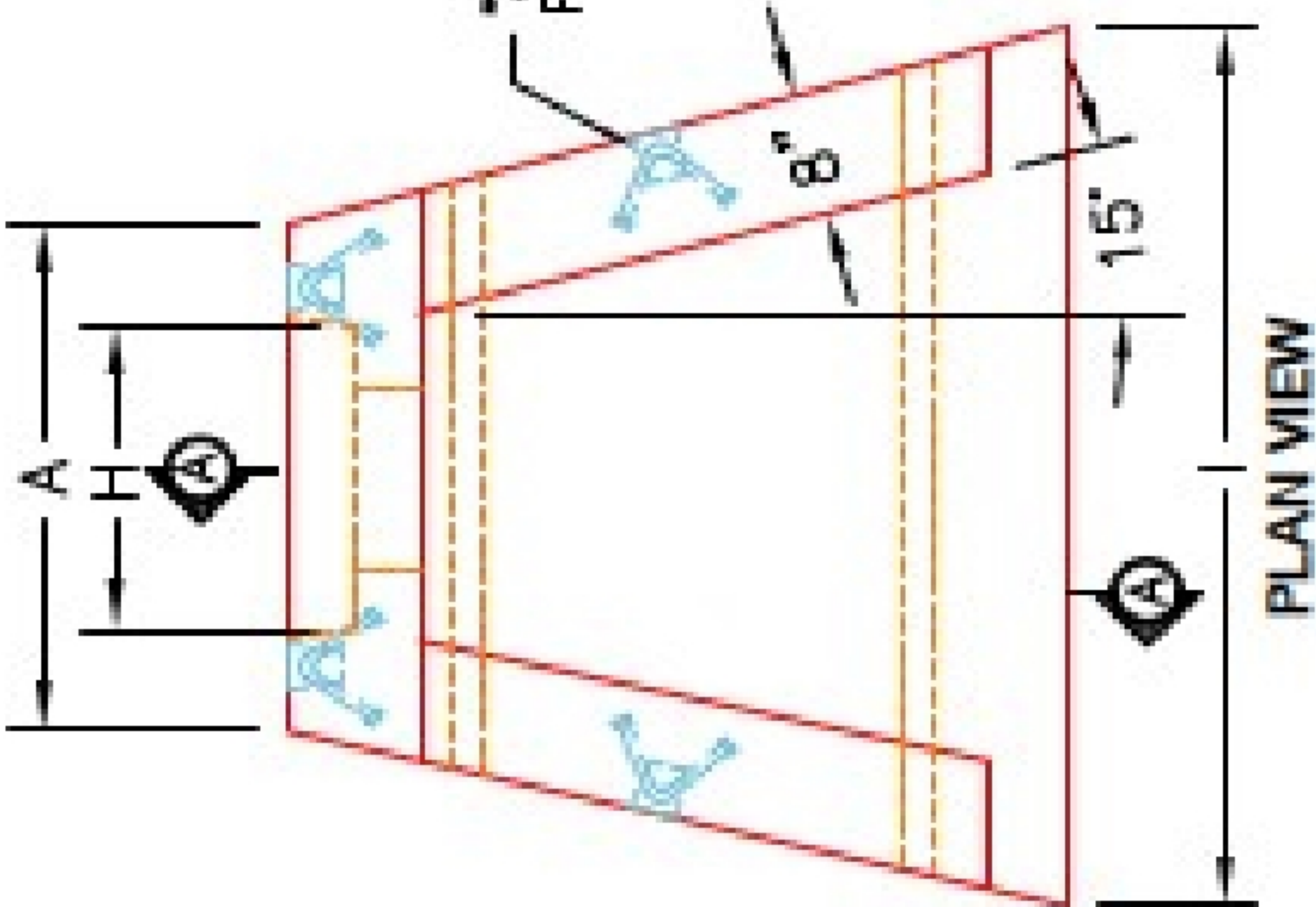
Structure ID: HW-3

P1 HWSF12

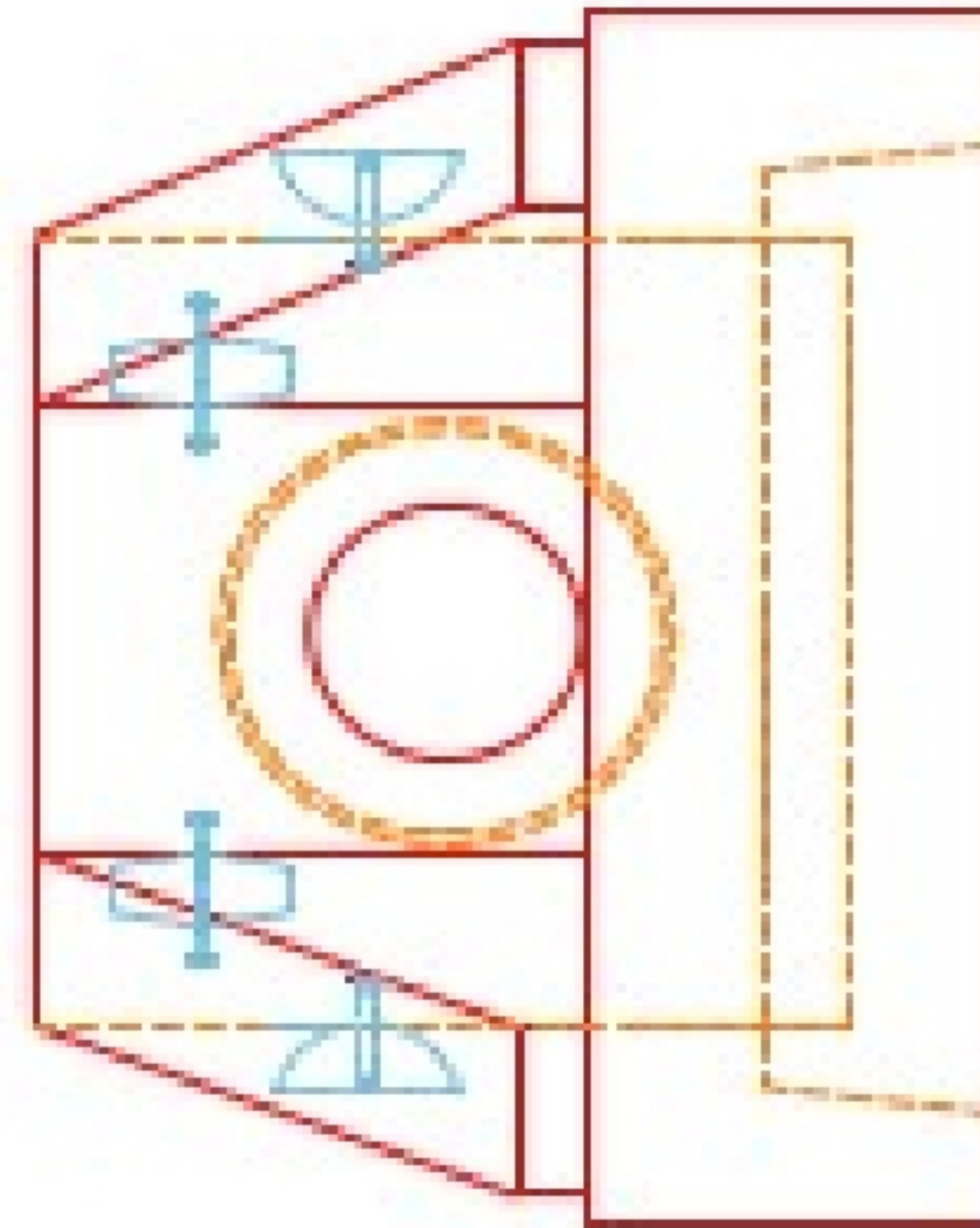
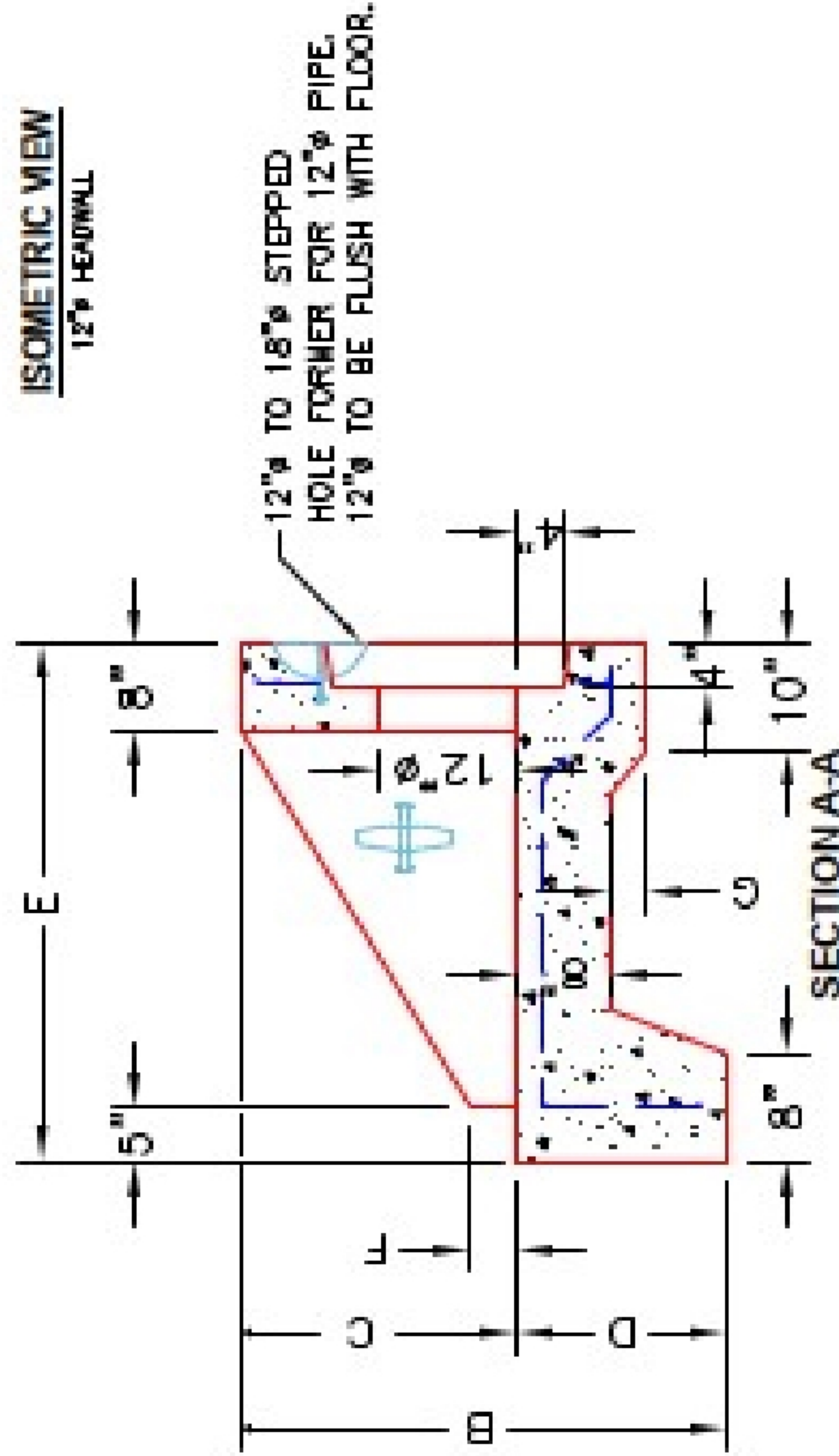
12" - SLOPED & FLARED HEADWALL F/F

DIMENSIONS										
PPE Ø	A	B	C	D	E	F	G	H	I	WEIGHT
12"	2'-8"	3'-6"	2'-0"	1'-8"	4'-0"	3"	28"	1'-8"	4'-9"	3,161 LBS.

"A-ANCHOR" LIFTING SYSTEM FOR PLANT & FIELD HANDLING.



ISOMETRIC VIEW
12" HEADWALL



FRONT ELEVATION

- NOTES:**
1. CONCRETE: 4500 PS @ 28 DAYS.
 2. REINFORCING: #4 BAR @ 12" C/C E/W -GRADE ØØ, (WITH 2" CONCRETE COVER MINIMUM)
 3. REINFORCING BARS TO BE TACK WELDED OR TIED.
 4. DRAWING TO BE USED IN CONJUNCTION WITH KYTC STD. DRAWING RDH-020-03 AND THE STANDARD SPECIFICATIONS FOR ROAD AND BRIDGE CONSTRUCTION.
 5. CHAMFER ON ALL EXPOSED EDGES.

PRODUCTION WORK ORDER		PRODUCT I.D.: HWSF12	DESCRIPTION: KYTC 12" SLOPED & FLARED HEADWALL
QUALITY CONTROL CHECKLIST		PRODUCT VIEW: RIGHT SIDE UP	CUSTOMER: STOCK
<input type="checkbox"/>	ALL DIMENSIONS CORRECT.	PLANT: BEAVER DAM, KY.	PROJECT: STOCK INVENTORY
<input type="checkbox"/>	LIFTERS INSTALLED.	WEIGHT: 3,161 LBS.	STRUCTURE I.D.: N/A
<input type="checkbox"/>	STEPPED HF CORRECT SIZE.	TOP SECTION JOINT: N/A	QUOTE/SALES ORDER NO: N/A
<input type="checkbox"/>	REINFORCING CORRECT.	BASE SECTION JOINT: N/A	CHECK: JH. ROSSL PE DRAWING: N. RICHARDS
<input type="checkbox"/>	DISSIPATOR BLOCK INSTALLED.	QC CHECK INITIALS:	DATE: 08/15/22 SCALE: NTS FIG. 1 of 1
<input type="checkbox"/>	EDGES CHAMFERED.		
<input type="checkbox"/>	ALL PATCHWORK ACCEPTABLE.		



THIS DRAWING IS THE PROPERTY OF INFRASTRUCTURE PRECAST, INC. ANY USE OR DUPLICATION OF THIS DRAWING WITHOUT PRIOR AUTHORIZATION IS STRICTLY PROHIBITED.