



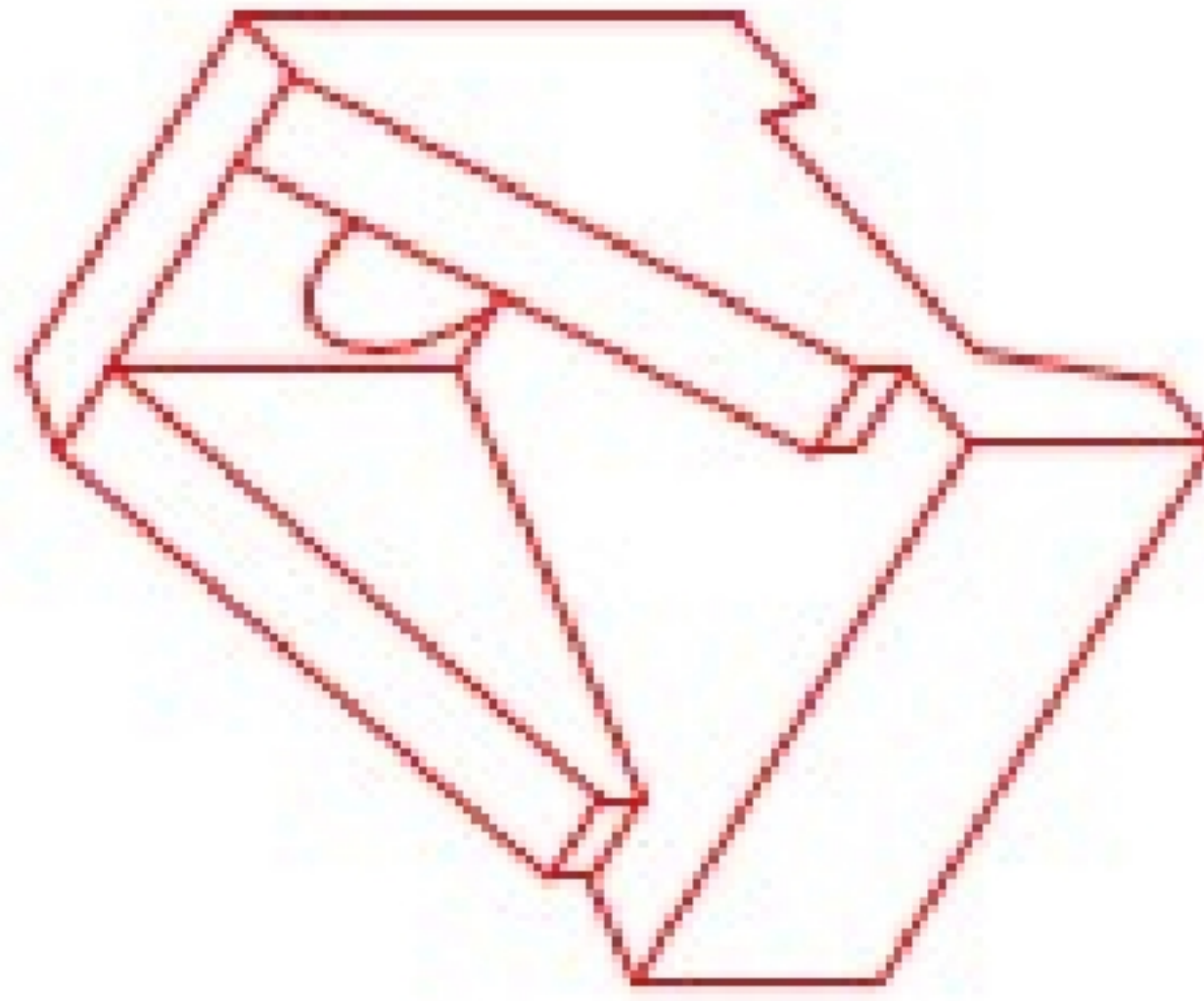
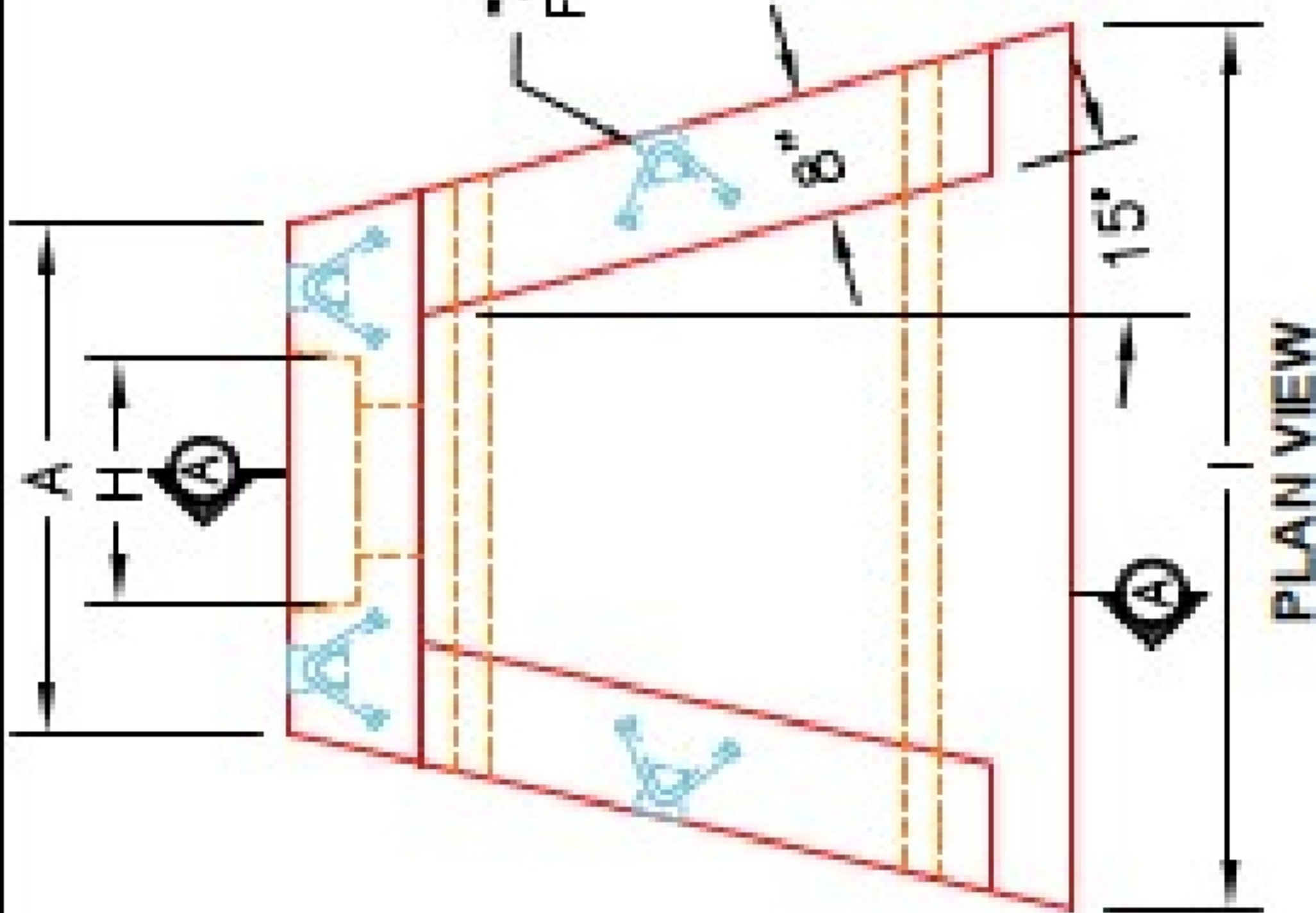
**Structure ID: HW-2**

**P1 HWSF10**

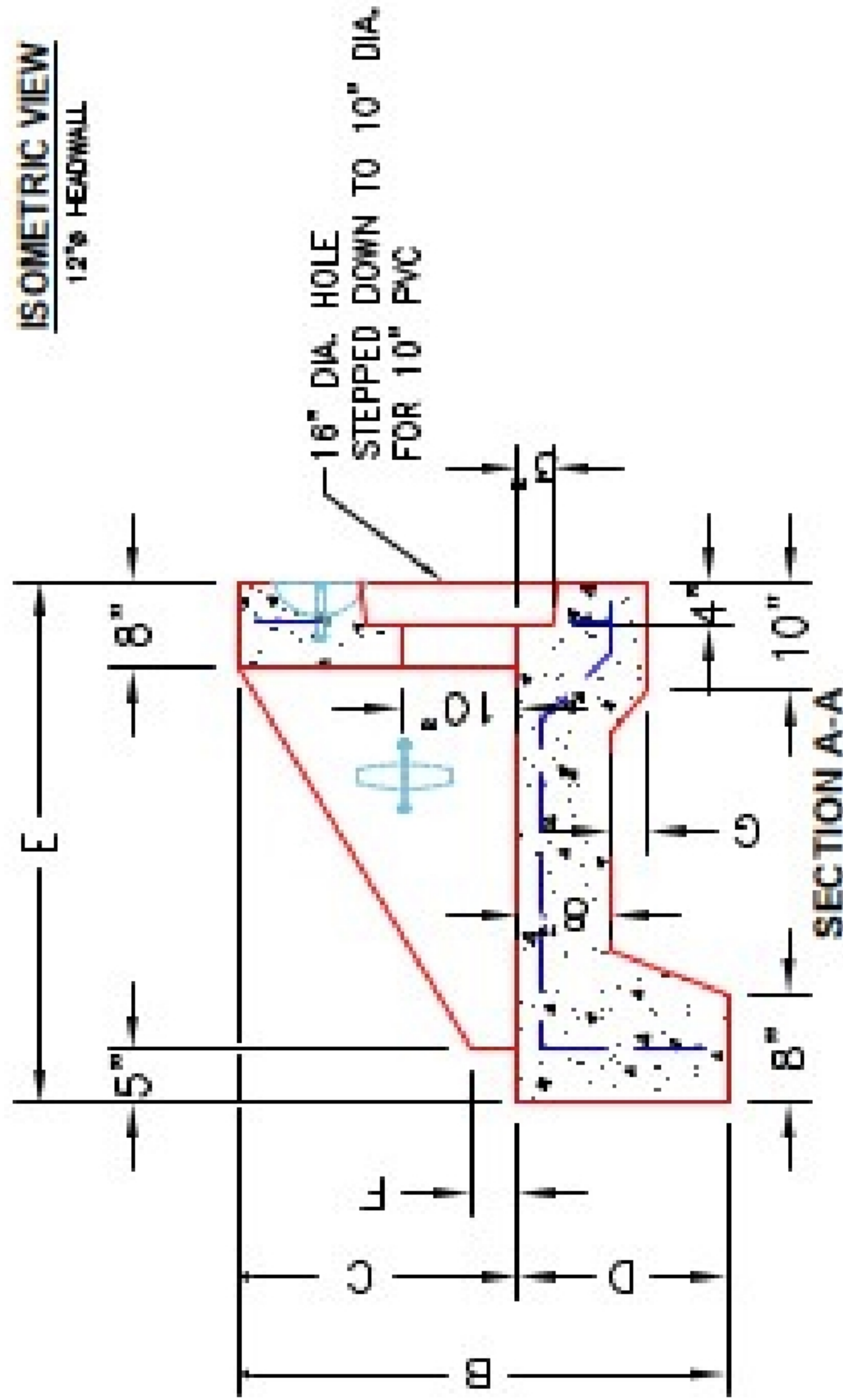
**10" - SLOPED & FLARED HEADWALL F/F**

DIMENSIONS										
PIPE Ø	A	B	C	D	E	F	G	H	I	WEIGHT
10"	2'-8"	3'-6"	2'-0"	1'-6"	4'-0"	3"	2'	1'-4"	4'-8"	3,161 LBS.

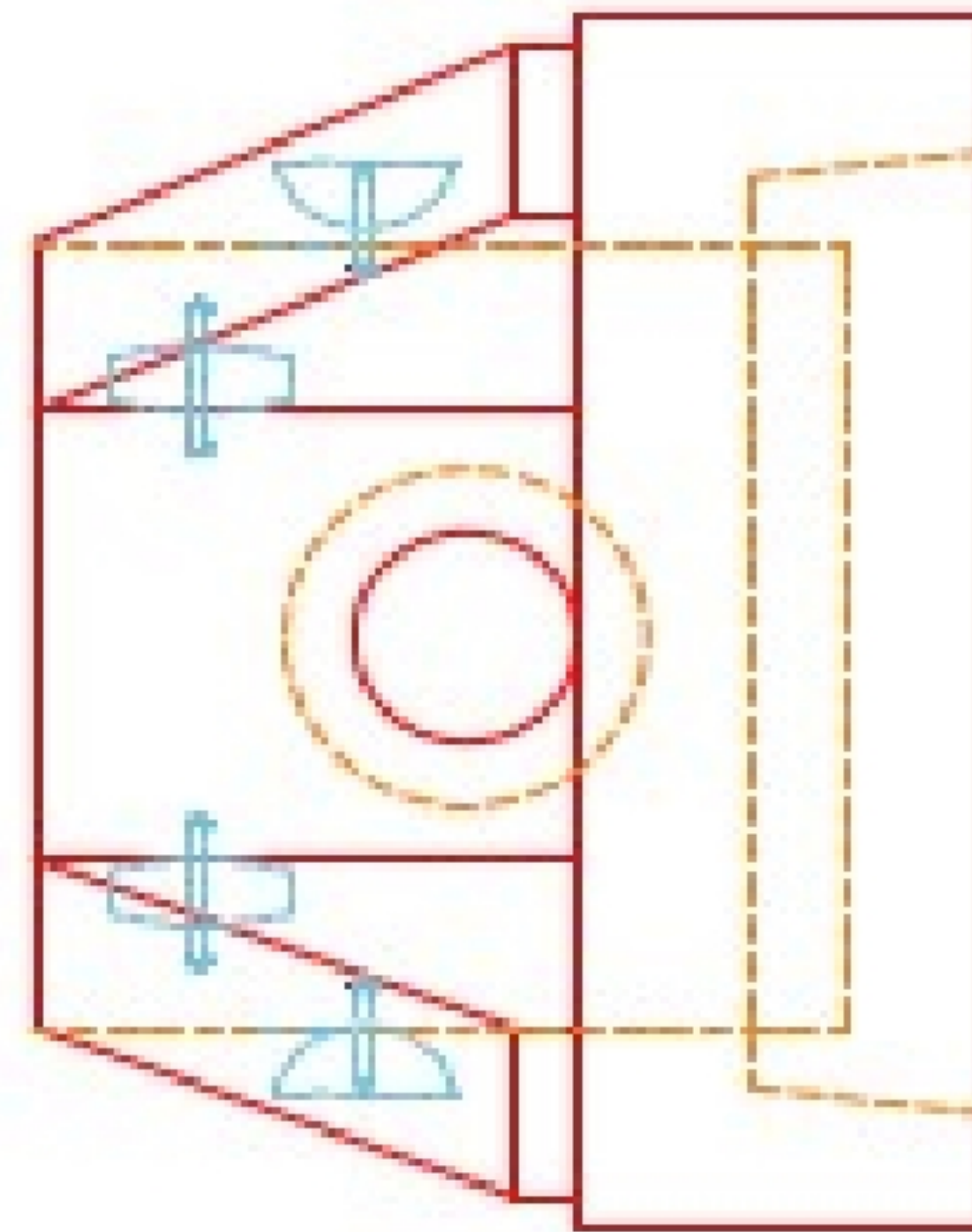
"A-ANCHOR" LIFTING SYSTEM FOR PLANT & FIELD HANDLING.



ISOMETRIC VIEW  
12" HEADWALL



FRONT ELEVATION



**NOTES:**

1. CONCRETE: 4500 PSI @ 28 DAYS.
2. REINFORCING: #4 BAR @ 12" C/C E.W. - GRADE 60, (WITH 2" CONCRETE COVER MINIMUM)
3. REINFORCING BARS TO BE TACK WELDED OR TIED.
4. DRAWING TO BE USED IN CONJUNCTION WITH KYTC STD. DRAWING RDH-020-03 AND THE STANDARD SPECIFICATIONS FOR ROAD AND BRIDGE CONSTRUCTION.
5. 2" CHAMFER ON ALL EXPOSED EDGES.

PRODUCTION WORK ORDER		PRODUCT I.D.: HWSF10	DESCRIPTION: KYTC 10" SLOPED & FLARED HEADWALL
QUALITY CONTROL CHECKLIST		PRODUCT VIEW: RIGHT SIDE UP	CUSTOMER: STOCK
<input type="checkbox"/> ALL DIMENSIONS CORRECT.		PLANT: BEAVER DAM, KY.	PROJECT: STOCK INVENTORY
<input type="checkbox"/> LIFTERS INSTALLED.		WEIGHT: 3,161 LBS.	STRUCTURE ID.: T.B.D.
<input type="checkbox"/> STEPPED HF CORRECT SIZE		TOP SECTION JOINT: N/A	SALES ORDER NO: T.B.D.
<input type="checkbox"/> REINFORCING CORRECT.		BASE SECTION JOINT: N/A	CHECK: JH. ROSS, PE
<input type="checkbox"/> DISSIPATOR BLOCK INSTALLED.		QC CHECK INITIALS:	DRAWING: J. HORSLEY
<input type="checkbox"/> EDGES CHAMFERED.			DATE: 05/01/23
<input type="checkbox"/> ALL PATCHWORK ACCEPTABLE.			SCALE: NTS
			PG. 1 of 1

