

**Structure ID: CBI-6**

**P1 BX24300808VF**

**BOX BASE 8inW, 8inF, Variable Ht F/n**

P3) 24" x 24" - CASTING HEIGHT - 5" P2) 24" x 30" - CB FLAT TOP 8"W w/24"x24"Hole F/F - 6" P1) 24" x 30" - BOX BASE 8inW, 8inF, Variable Ht F/n - 25" 1) 24" x 30" - Conseal CS-102 1.00" 1) 24" x 24" - Conseal CS-102 1.00" 1) Hole - 16	0 lb 636 lb 3394 lb 0 lb 0 lb 0 lb ----- Structure Total: 4030 lb
---	--

Structure Notes:

1. PER ASTM C913 SPECIFICATIONS.
2. CONCRETE = 4,000 PSI AT 28 DAYS.
3. NO INVERT CHANNEL.
4. CASTING HOE KY-465 PROVIDED BY ICAST.

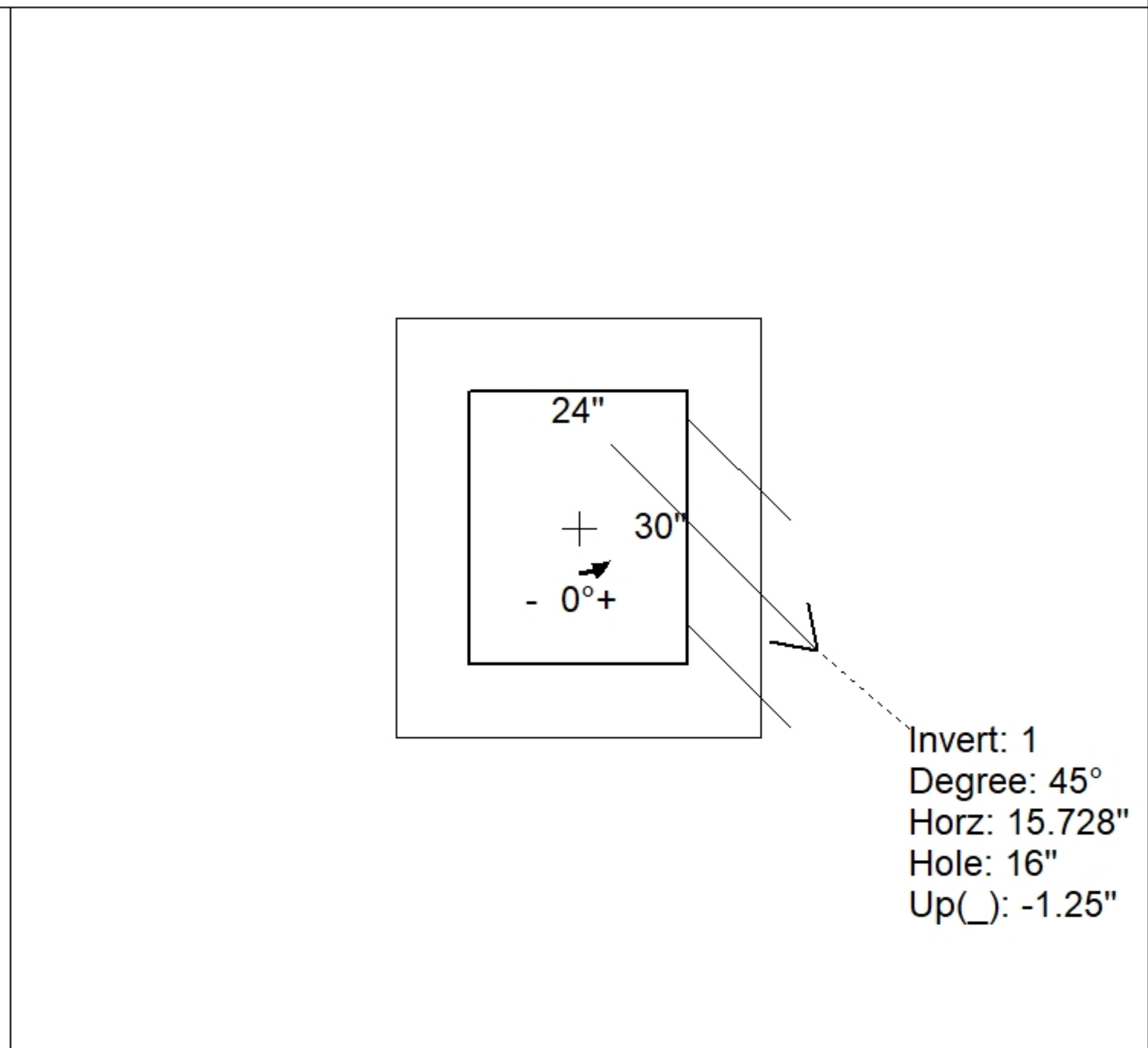
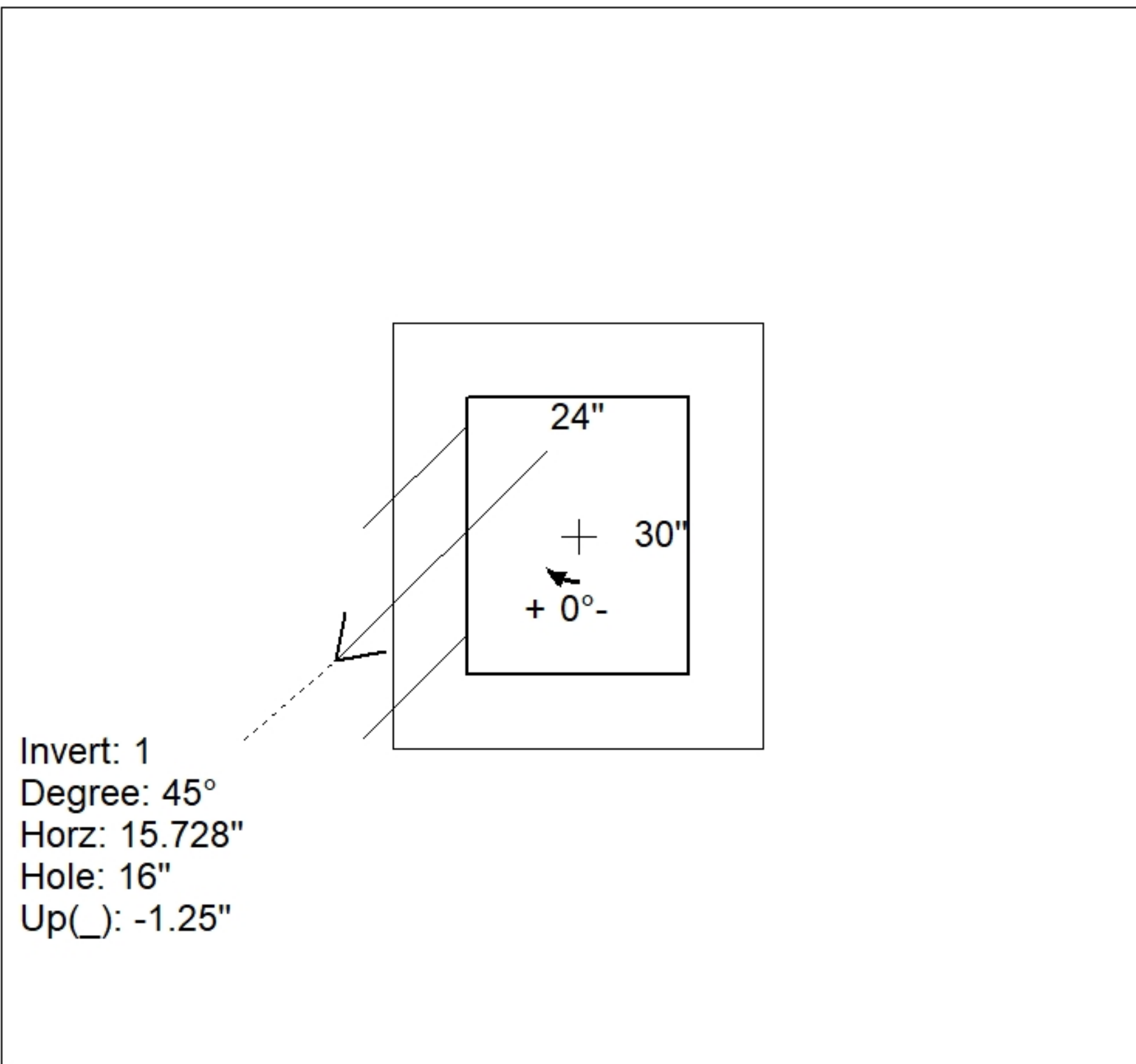
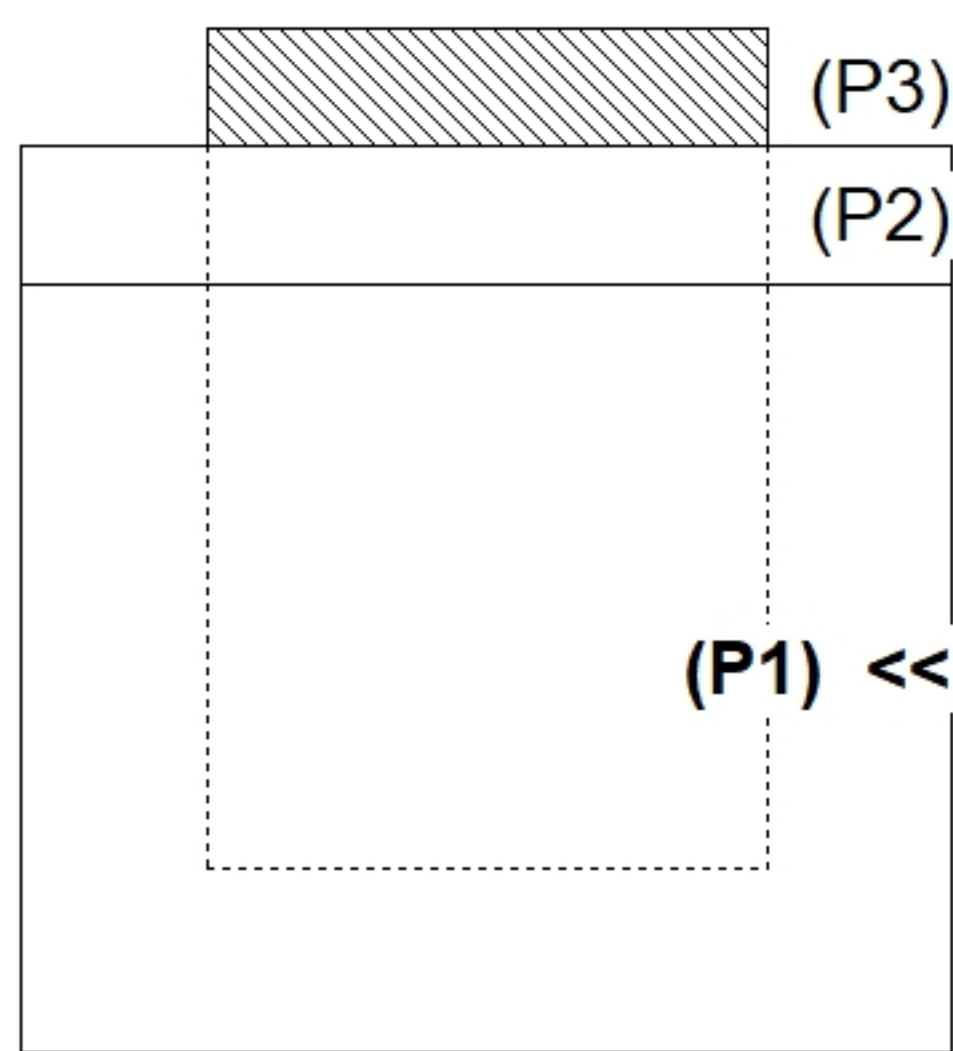
REINFORCING PER ASTM A615 (GRADE 60).  
 - WALLS (As .12) #5 BARS AT 12" C.C.E.W.  
 - FLOOR (As .12) #5 BARS AT 12" C.C.E.W.

Rim: 752.7'    Rim to Invert: 3'    Slack: 0"    Sump: 0"    Step Position:

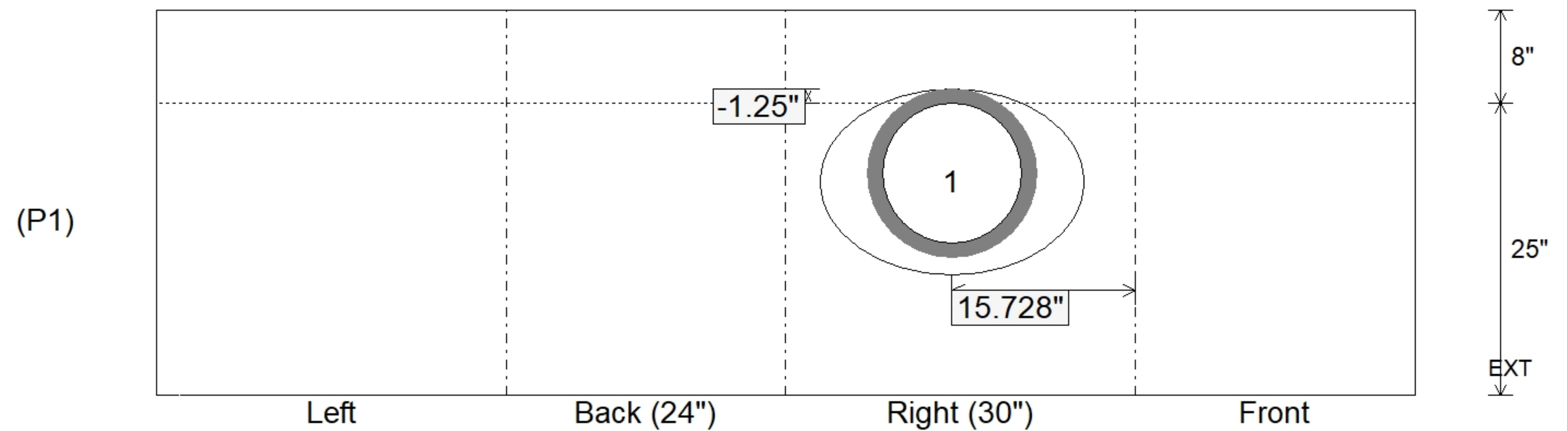
Position	Elev	Angle	Ext. (cw)	Pipe	Pipe OD	Connector	Hole	Horz Size	Up ( )	Offset
Invert 1	749.7'	45°	15.728"	12" HDPE	14.5"	Hole 16	16"	22.627"	-1.25"	9"
Invert 2										
Invert 3										
Invert 4										
Invert 5										
Invert 6										
Invert 7										
Invert 8										

RIGHT-SIDE UP VIEW (int. dimensions)

UPSIDE-DOWN VIEW (int. dimensions)



INSIDE WALL DIMENSIONS



Coating (Int): Coating (Ext):	Seam Up: Flat Seam Dn: n/a	Wall Thickness: 8" Floor Height: 8"	Height (Int): 25" Height (Ext): 33"	Weight (Net): 3394 lb Volume (Net): 0.87cu.yd
----------------------------------	-------------------------------	--	--	--