

**Job Name: 25-3552 ADS Beau Henry Villa**  
**Job Location: Bowling Green, KY**  
**Contractor: ADS Advances Drainage Systems, Inc.**

PC: C. Goff  
 TECH: J. Coppage  
 Plant: Beaver Dam



Structure ID: 6,1

Spec: Storm-Pipe Centered  
 Type: STM.MH  
 Size: 48"

Rim: 541.32'  
 Invert: 532.55'  
 Rim to Invert: 8.77'

Sump: 84.96"  
 Floor (Top): 525.47'  
 Floor Height: 6"

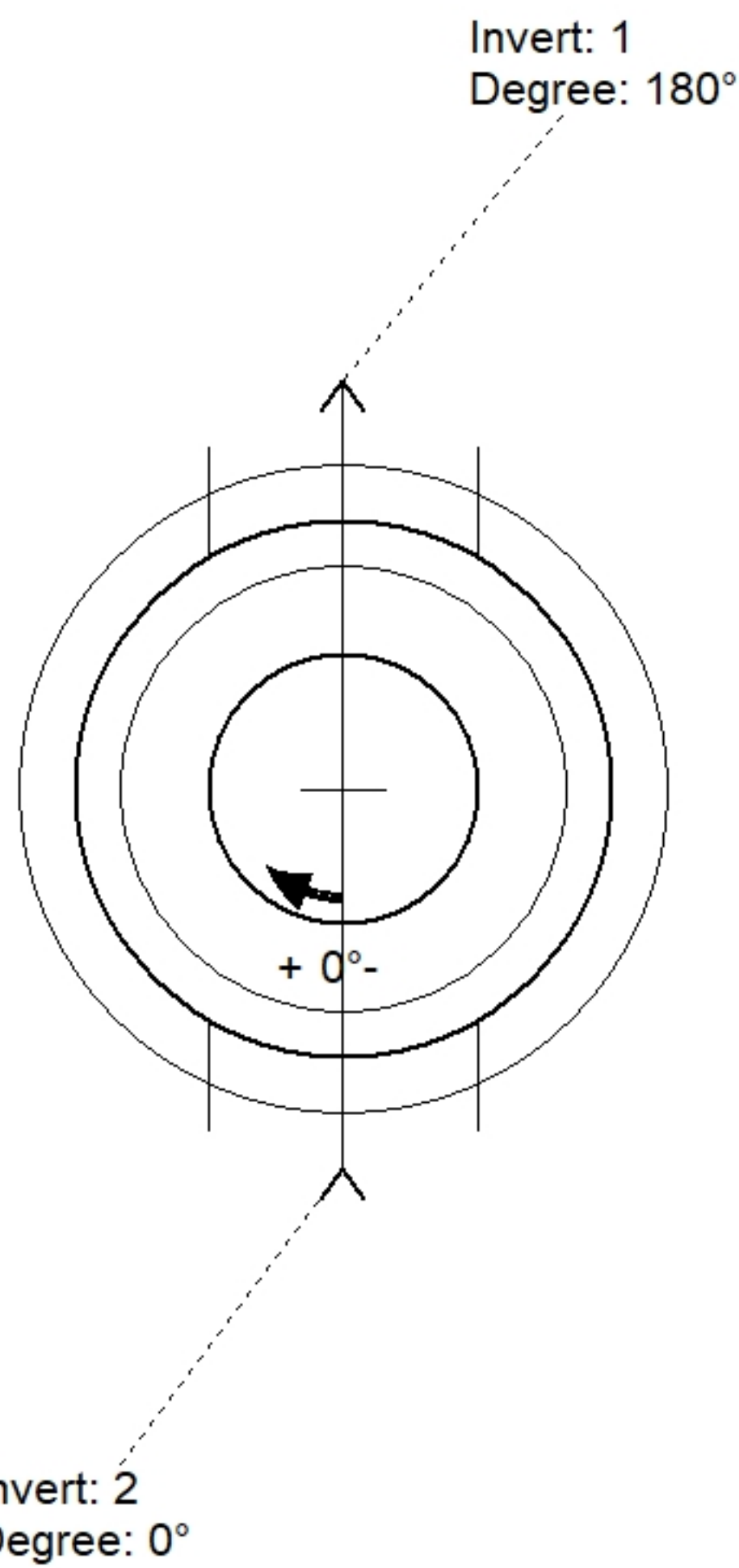
Floor (Bot): 524.97'  
 Overall Height: 16.333'  
 Slack: 0.2"

**Structure Notes:**

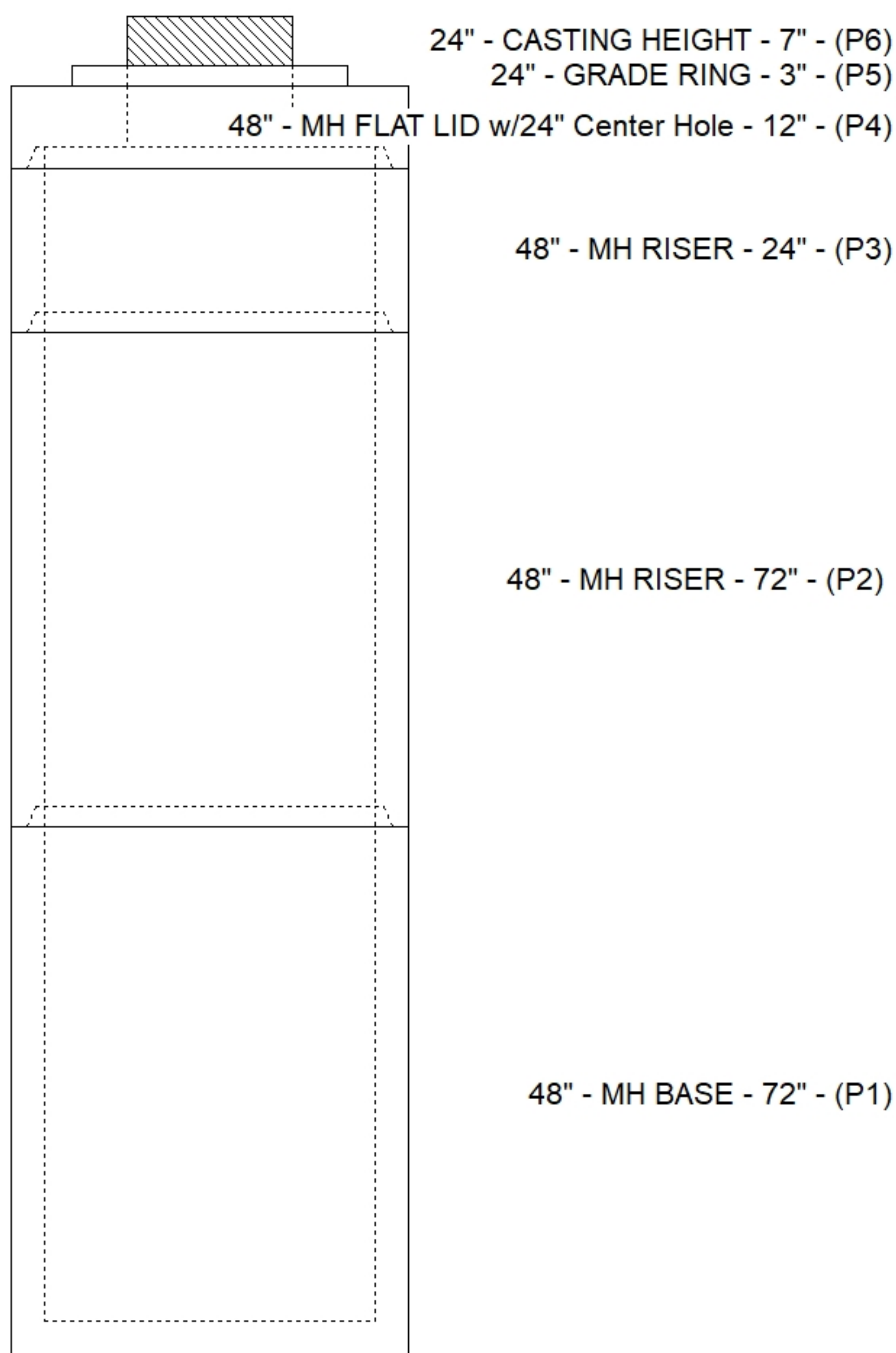
1. JR HOE MC-375 STORM PROVIDED BY ICAST.
2. PER ASTM C478 SPECIFICATIONS.
3. CONCRETE = 4,000 PSI AT 28 DAYS.
4. REINFORCING PER ASTM A615 (GRADE 60).  
 - TOP SLAB (As .62) #5 BARS AT 6" C.C.E.W..  
 - RISER/WALLS (As .12)  
 - FLOOR (As .31) #5 BARS AT 12" C.C.E.W.
5. LIFTING ANCHORS TO BE INSTALLED ON THE OUTSIDE OF THE STRUCTURE.

**STRUCTURE SUMMARY:**

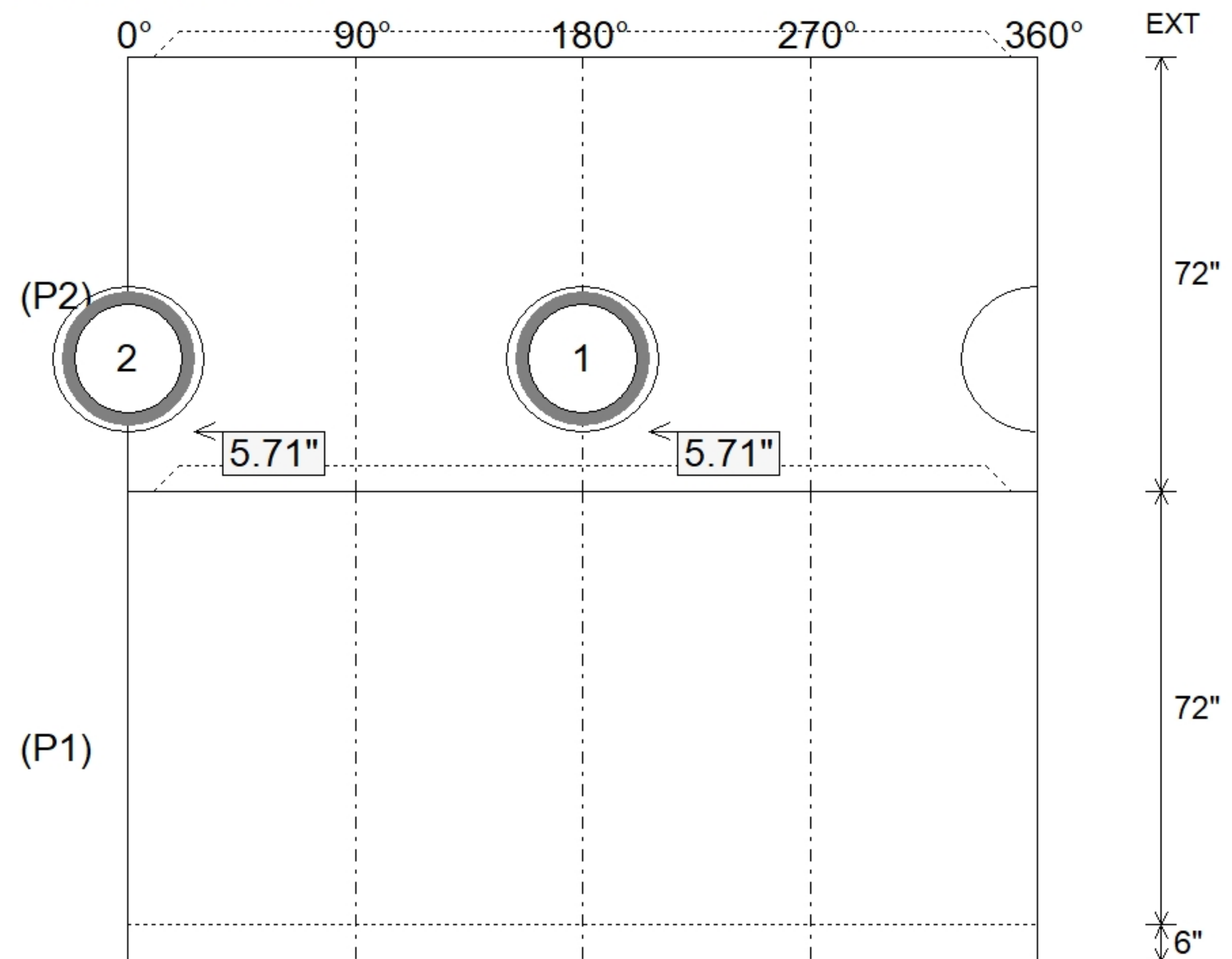
P6) 24" - CASTING HEIGHT - 7"	0 lb
P5) 24" - GRADE RING - 3"	202 lb
P4) 48" - MH FLAT LID w/24" Center Hole - 12"	1580 lb
P3) 48" - MH RISER - 24"	1677 lb
P2) 48" - MH RISER - 72"	4635 lb
P1) 48" - MH BASE - 72"	6360 lb
1) PSASSEMBLY	0 lb
3) 48" - Conseal CS-102 1.00"	0 lb
2) Hole - 24	0 lb
<b>Structure Total:</b>	<b>14454 lb</b>



Position	Elev	Angle	Pipe	Pipe OD	Hole	Connector	Up (")	Ref
Rim	541.32'							
Reducer								
Invert 1	532.55'	180°	18" ADS N-12	22"	24"	Hole 24	5.71"	P2
Invert 2	532.55'	0°	18" ADS N-12	22"	24"	Hole 24	5.71"	P2
Invert 3								
Invert 4								
Invert 5								
Invert 6								
Invert 7								
Invert 8								



**Default - Interior Dimensions**



Submittal Drawing  
 11/5/2025 7:37:52 AM

SUBMITTAL  
 APPROVED BY: