

**Job Name: 25-3552 ADS Beau Henry Villa**  
**Job Location: Bowling Green, KY**  
**Contractor: ADS Advances Drainage Systems, Inc.**

PC: C. Goff  
 TECH: J. Coppage  
 Plant: Beaver Dam



Structure ID: 3,1

Spec: Storm-Pipe Centered  
 Type: STM.MH  
 Size: 48"

Rim: 545.13'  
 Invert: 532.45'  
 Rim to Invert: 12.68'

Sump: 84.96"  
 Floor (Top): 525.37'  
 Floor Height: 6"

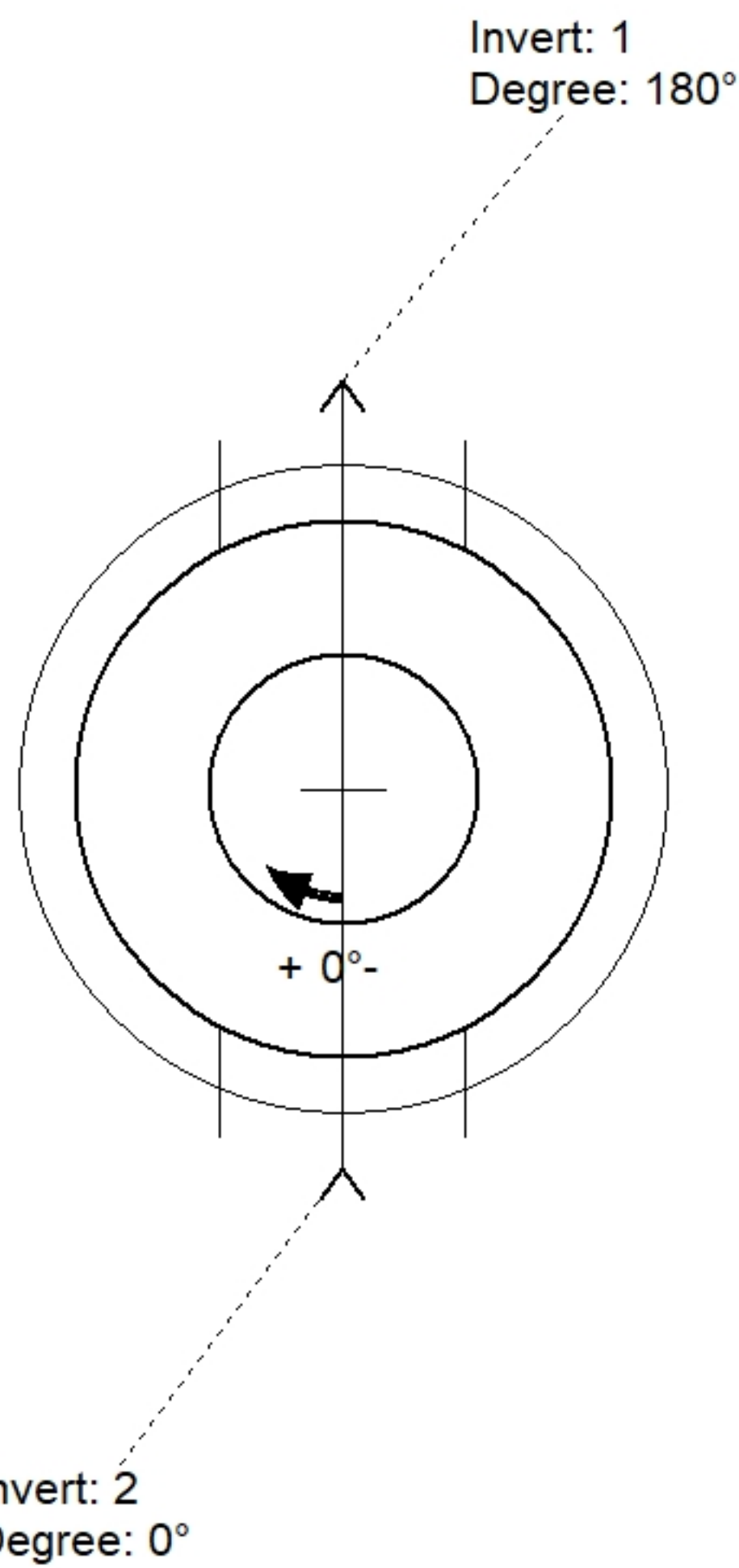
Floor (Bot): 524.87'  
 Overall Height: 20.083'  
 Slack: 2.12"

**Structure Notes:**

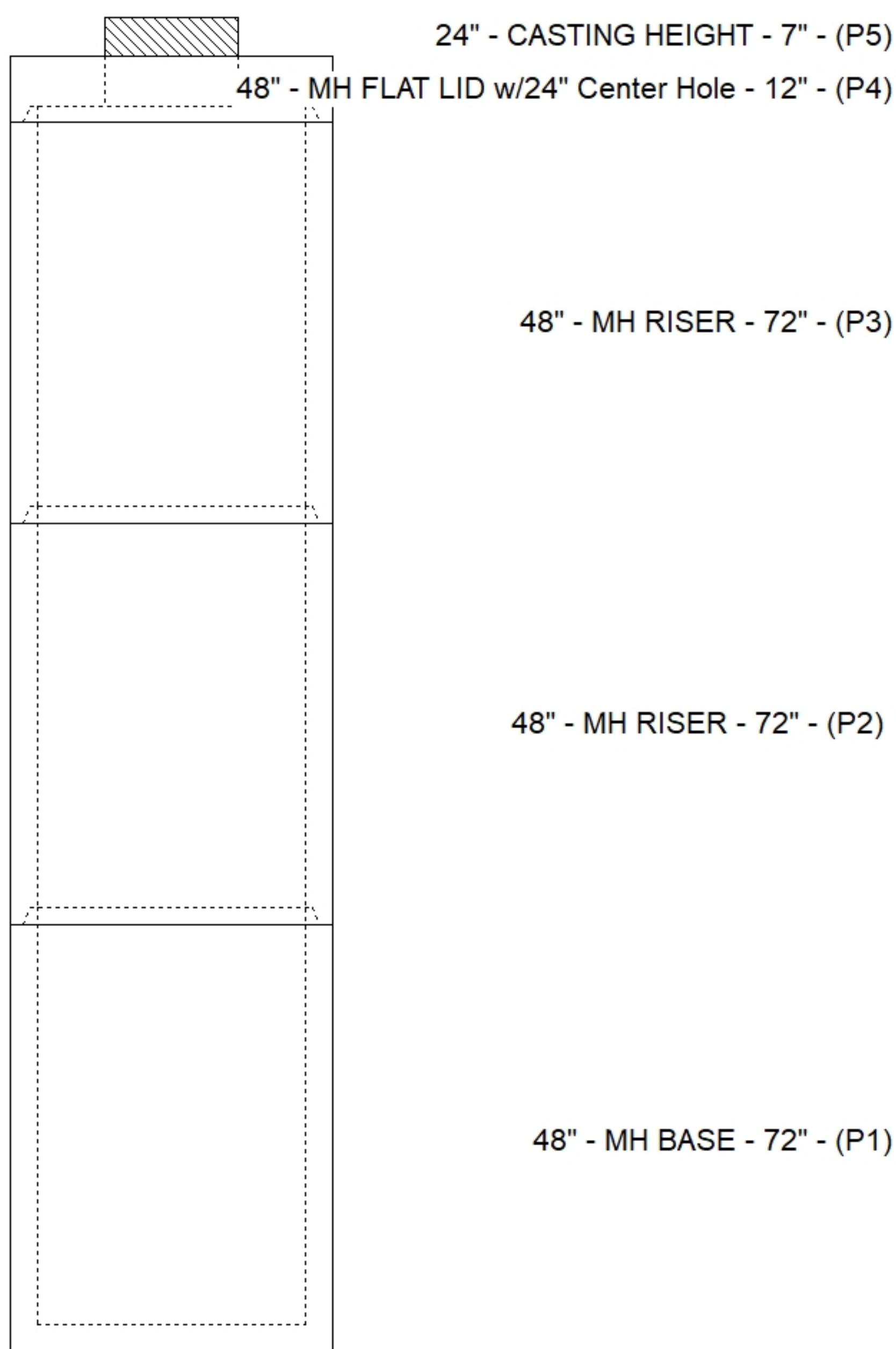
- JR HOE MC-375 STORM PROVIDED BY ICAST.
- PER ASTM C478 SPECIFICATIONS.
- CONCRETE = 4,000 PSI AT 28 DAYS.
- REINFORCING PER ASTM A615 (GRADE 60).  
 - TOP SLAB (As .62) #5 BARS AT 6" C.C.E.W..  
 - RISER/WALLS (As .12)  
 - FLOOR (As .31) #5 BARS AT 12" C.C.E.W.
- LIFTING ANCHORS TO BE INSTALLED ON THE OUTSIDE OF THE STRUCTURE.

**STRUCTURE SUMMARY:**

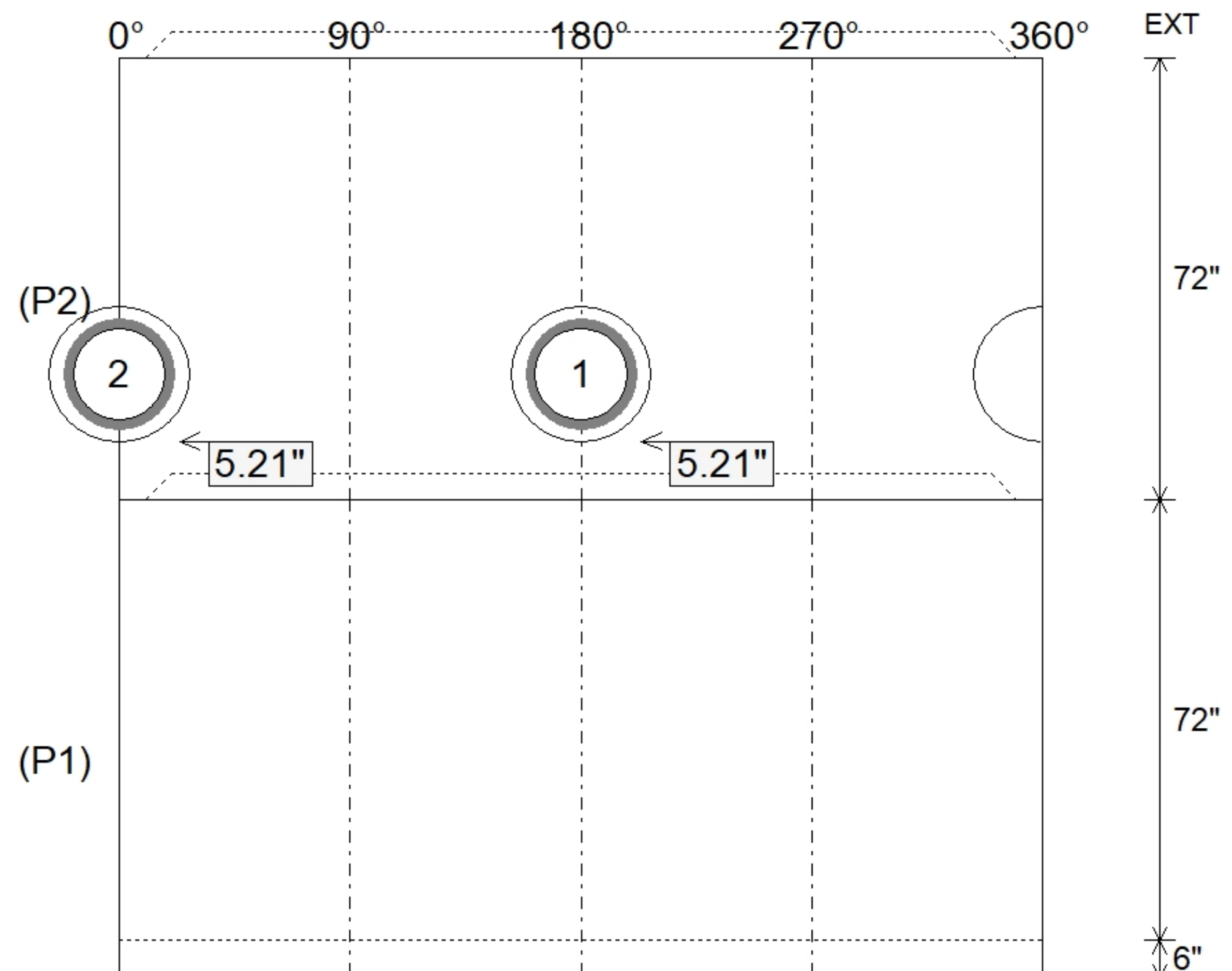
P5) 24" - CASTING HEIGHT - 7"	0 lb
P4) 48" - MH FLAT LID w/24" Center Hole - 12"	1580 lb
P3) 48" - MH RISER - 72"	5030 lb
P2) 48" - MH RISER - 72"	4701 lb
P1) 48" - MH BASE - 72"	6360 lb
1) PSASSEMBLY	0 lb
3) 48" - Conseal CS-102 1.00"	0 lb
2) Hole - 22	0 lb
<b>Structure Total:</b>	<b>17670 lb</b>



Position	Elev	Angle	Pipe	Pipe OD	Hole	Connector	Up (")	Ref
Rim	545.13'							
Reducer								
Invert 1	532.45'	180°	15" ADS N-12	18"	22"	Hole 22	5.21"	P2
Invert 2	532.45'	0°	15" ADS N-12	18"	22"	Hole 22	5.21"	P2
Invert 3								
Invert 4								
Invert 5								
Invert 6								
Invert 7								
Invert 8								



**Default - Interior Dimensions**



Submittal Drawing  
 11/5/2025 7:37:52 AM

SUBMITTAL  
 APPROVED BY: