

Job Name: 25-3552 ADS Beau Henry Villa
Job Location: Bowling Green, KY
Contractor: ADS Advances Drainage Systems, Inc.

PC: C. Goff
 TECH: J. Coppage
 Plant: Beaver Dam



Structure ID: 2,1

Spec: Storm-Pipe Centered
 Type: STM.MH
 Size: 48"

Rim: 540.96'
 Invert: 530.31'
 Rim to Invert: 10.65'

Sump: 84.96"
 Floor (Top): 523.23'
 Floor Height: 6"

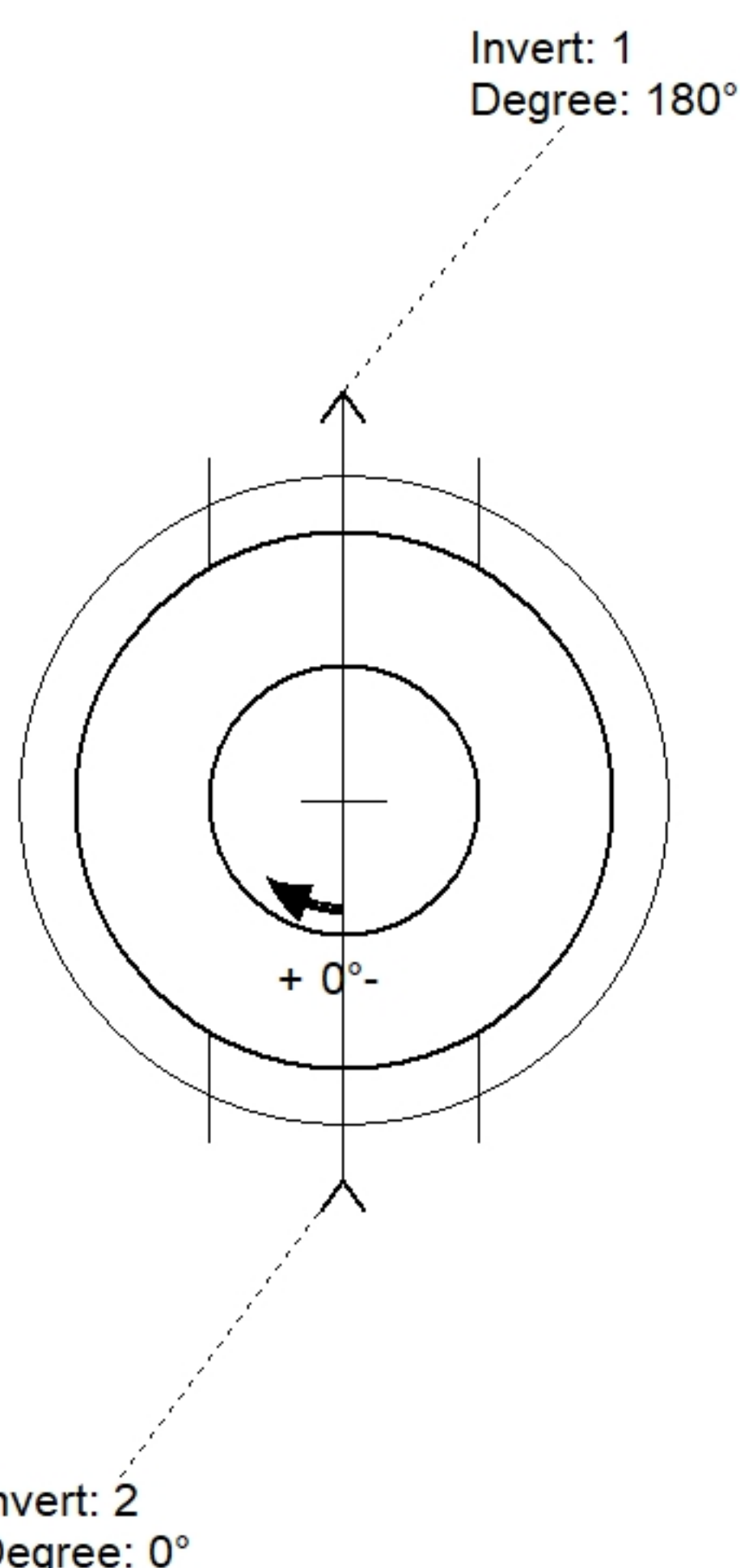
Floor (Bot): 522.73'
 Overall Height: 18.083'
 Slack: 1.76"

Structure Notes:

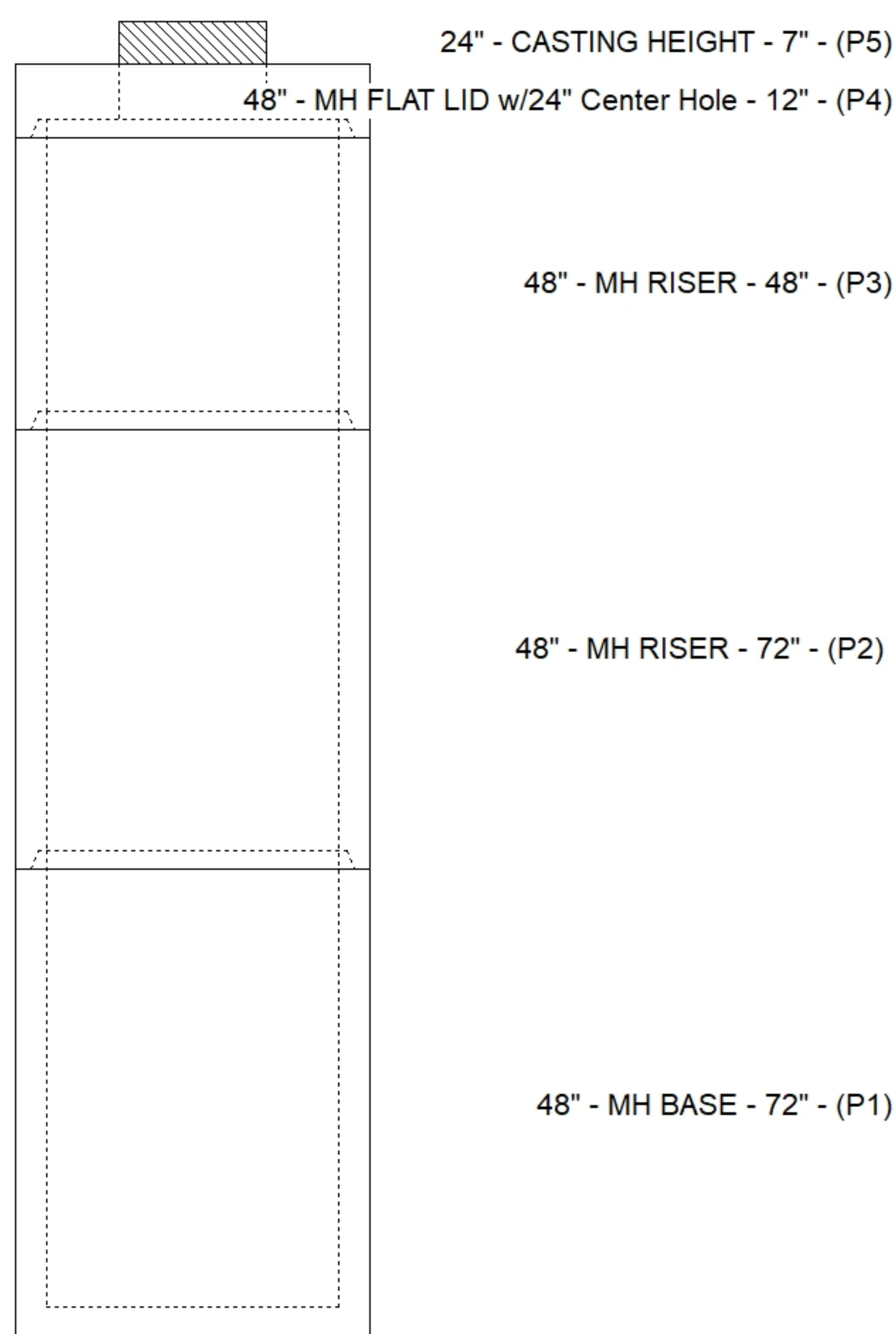
- JR HOE MC-375 STORM PROVIDED BY ICAST.
- PER ASTM C478 SPECIFICATIONS.
- CONCRETE = 4,000 PSI AT 28 DAYS.
- REINFORCING PER ASTM A615 (GRADE 60).
 - TOP SLAB (As .62) #5 BARS AT 6" C.C.E.W..
 - RISER/WALLS (As .12)
 - FLOOR (As .31) #5 BARS AT 12" C.C.E.W.
- LIFTING ANCHORS TO BE INSTALLED ON THE OUTSIDE OF THE STRUCTURE.

STRUCTURE SUMMARY:

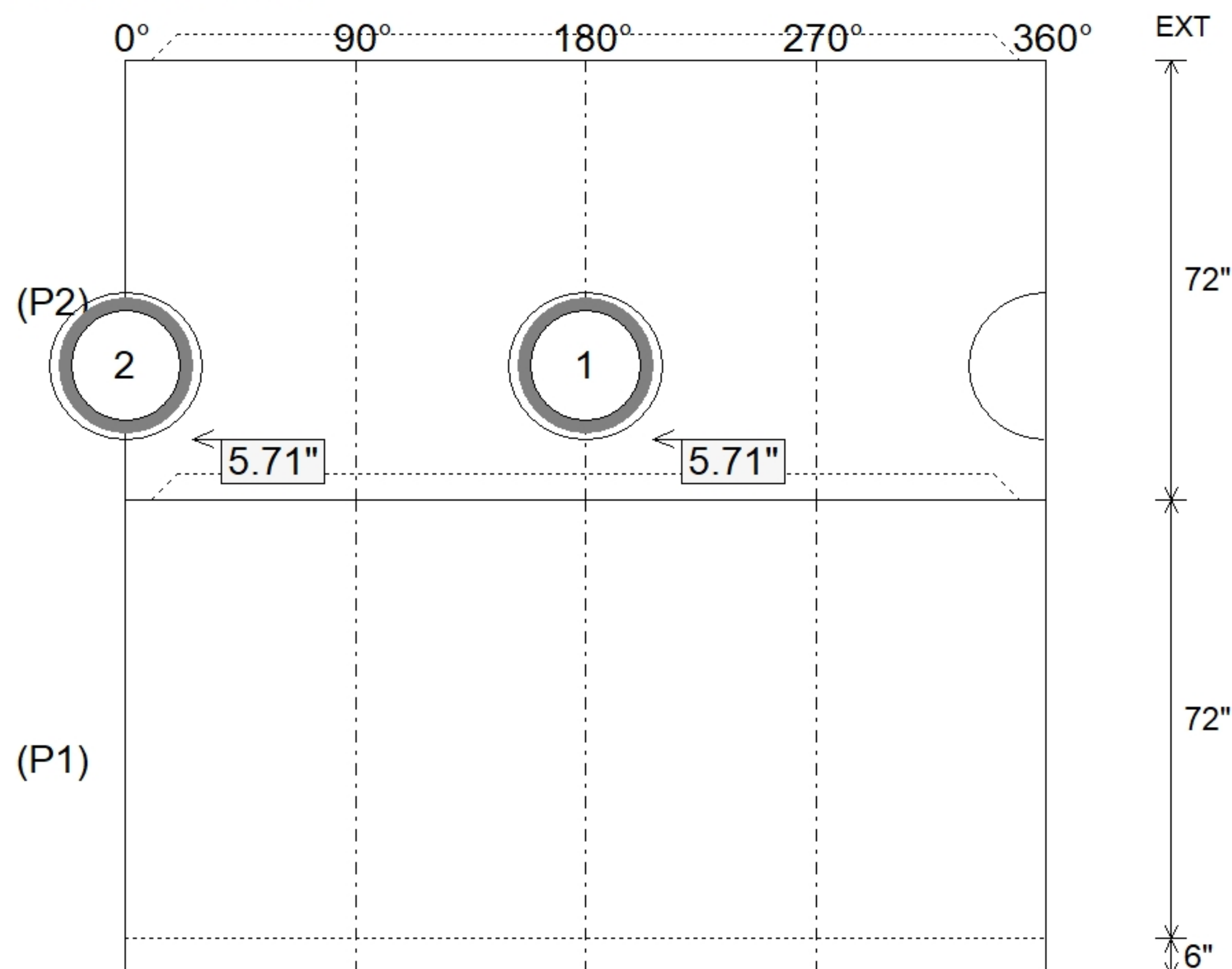
P5) 24" - CASTING HEIGHT - 7"	0 lb
P4) 48" - MH FLAT LID w/24" Center Hole - 12"	1580 lb
P3) 48" - MH RISER - 48"	3353 lb
P2) 48" - MH RISER - 72"	4635 lb
P1) 48" - MH BASE - 72"	6360 lb
1) PSASSEMBLY	0 lb
3) 48" - Conseal CS-102 1.00"	0 lb
2) Hole - 24	0 lb
Structure Total:	15929 lb



Position	Elev	Angle	Pipe	Pipe OD	Hole	Connector	Up (")	Ref
Rim	540.96'							
Reducer								
Invert 1	530.31'	180°	18" ADS N-12	22"	24"	Hole 24	5.71"	P2
Invert 2	530.31'	0°	18" ADS N-12	22"	24"	Hole 24	5.71"	P2
Invert 3								
Invert 4								
Invert 5								
Invert 6								
Invert 7								
Invert 8								



Default - Interior Dimensions



Submittal Drawing
 11/5/2025 7:37:50 AM

SUBMITTAL
 APPROVED BY: