

Job Name: 25-3552 ADS Beau Henry Villa
 Job Location: Bowling Green, KY
 Contractor: ADS Advances Drainage Systems, Inc.

Plant: Beaver Dam

11/4/2025 9:21:14 AM

Tech: J. Coppage

PC: C. Goff



Structure ID: 2,1

P2 MH048RS72

MH RISER

- P5) 24" - CASTING HEIGHT - 7"
- P4) 48" - MH FLAT LID w/24" Center Hole - 12"
- P3) 48" - MH RISER - 48"
- P2) 48" - MH RISER - 72"
- P1) 48" - MH BASE - 72"
- 1) PSASSEMBLY
- 1) CASTING - HOE MC-375 F/C Storm
- 3) 48" - Conseal CS-102 1.00"
- 2) Hole - 24

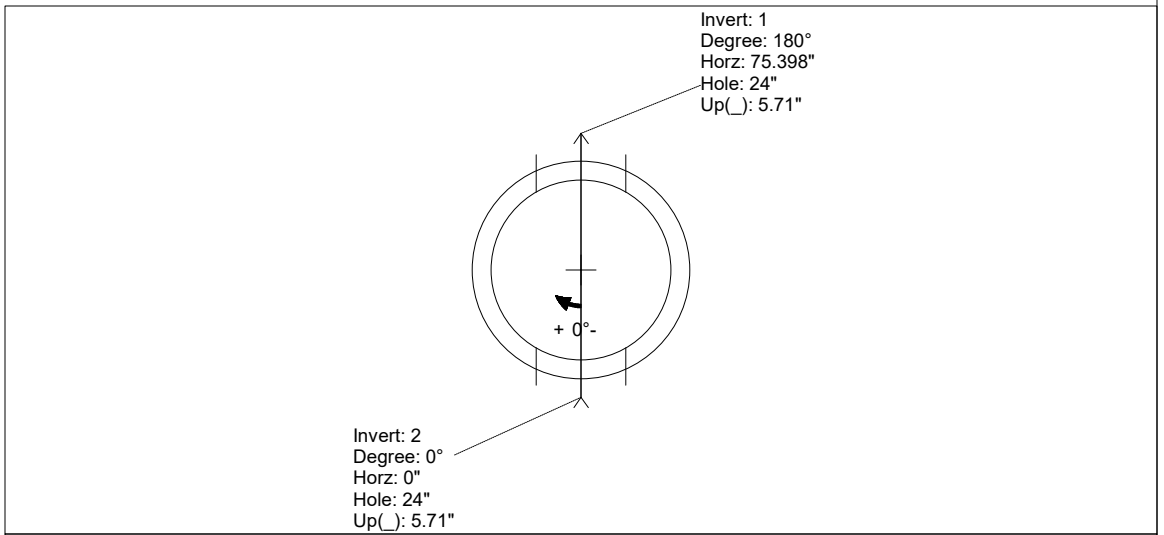
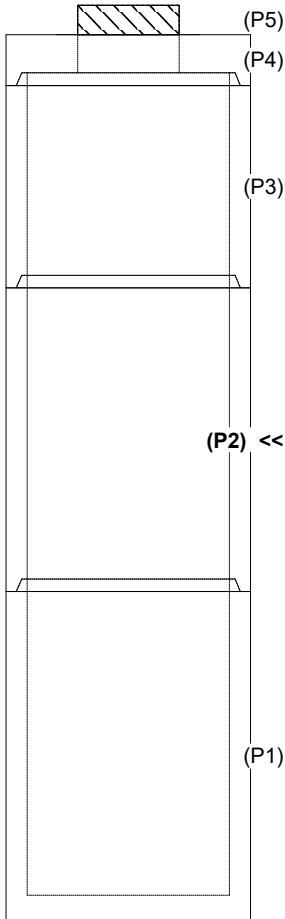
- Structure Notes:**
1. JR HOE MC-375 STORM PROVIDED BY ICAST.
 2. PER ASTM C478 SPECIFICATIONS.
 3. CONCRETE = 4,000 PSI AT 28 DAYS.
 4. REINFORCING PER ASTM A615 (GRADE 60).
 - TOP SLAB (As .62) #5 BARS AT 6" C.C.E.W..
 - RISER/WALLS (As .12)
 - FLOOR (As .31) #5 BARS AT 12" C.C.E.W.
 5. LIFTING ANCHORS TO BE INSTALLED ON THE OUTSIDE OF THE STRUCTURE.

Structure Total: 16200 lb

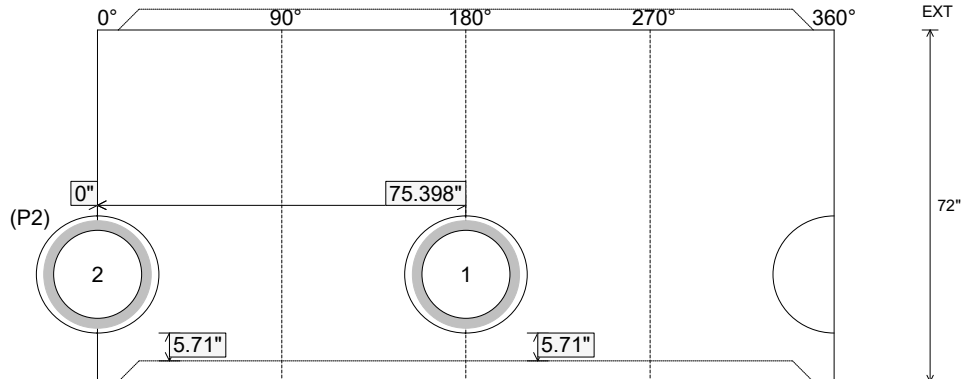
Rim: 540.96' Rim to Invert: 10.65' Slack: 1.76" Sump: 84.96" Step Position:

Position	Elev	Angle	Ext. (cw)	Pipe	Pipe OD	Connector	Hole	Horz Size	Up ()	Offset
Invert 1	530.31'	180°	91.106"	18" ADS N-12	22"	Hole 24	24"	25.133"	5.71"	0"
Invert 2	530.31'	0°	0"	18" ADS N-12	22"	Hole 24	24"	25.133"	5.71"	0"
Invert 3										
Invert 4										
Invert 5										
Invert 6										
Invert 7										
Invert 8										

RIGHT-SIDE UP VIEW (int. dimensions)



INSIDE WALL DIMENSIONS



Coating (Int):
 Coating (Ext):

Seam Up: Tongue
 Seam Dn: Groove

Wall Thickness: 5"
 Floor Height: 0"

Height (Int): 72"
 Height (Ext): 72"

Weight (Net): 4635 lb
 Volume (Net): 1.18cu.yd