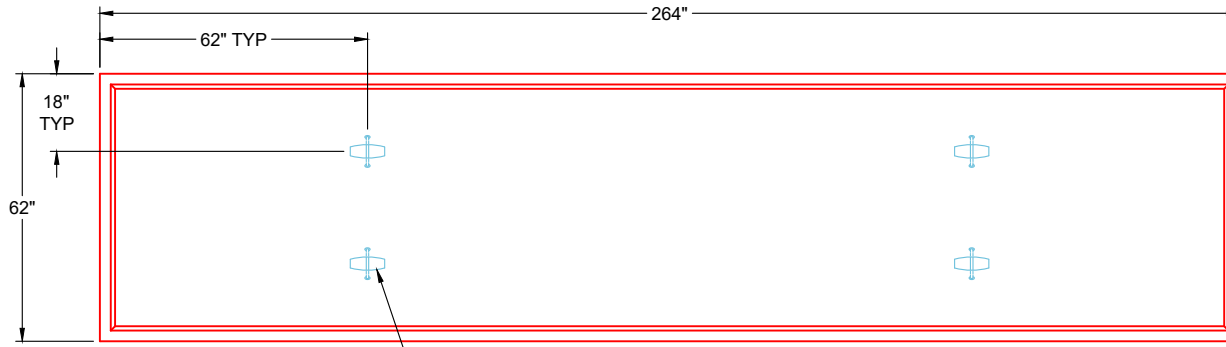


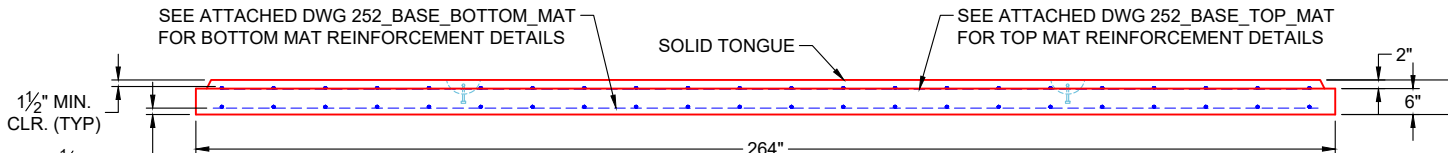
**GENERAL NOTES:**

1. MANUFACTURED TO ASTM C-913 (LATEST REVISION)
2. CONCRETE: 5,000 PSI AT 28 DAYS
3. REINFORCEMENT - MIN. 1½" REBAR CLEARANCE:  
 - TOP MAT: PER ATTACHED DWG 252\_BASE\_TOP\_MAT  
 - BOTTOM MAT: PER ATTACHED DWG 252\_BASE\_BOTTOM\_MAT
4. WEIGHTS: 11,502 LBS

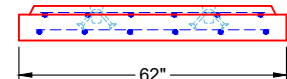


4 EA. 6CA18 CONAC A-ANCHORS  
FOR PLANT & FIELD HANDLING


**PLAN VIEW  
(RIGHT SIDE UP)**



**FRONT VIEW  
(RIGHT SIDE UP)**



**SIDE VIEW  
(RIGHT SIDE UP)**

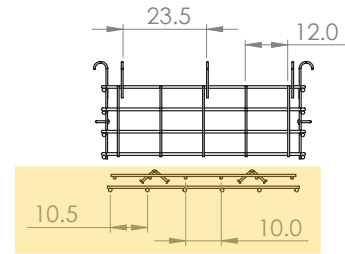
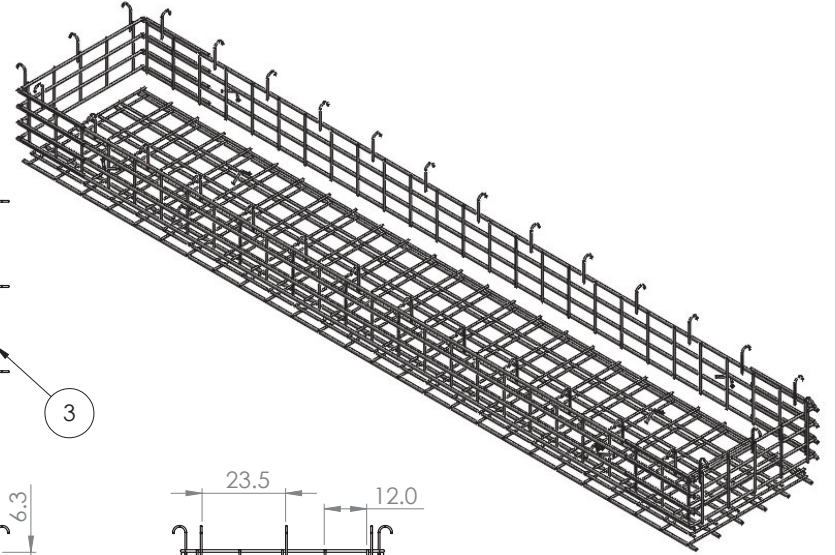
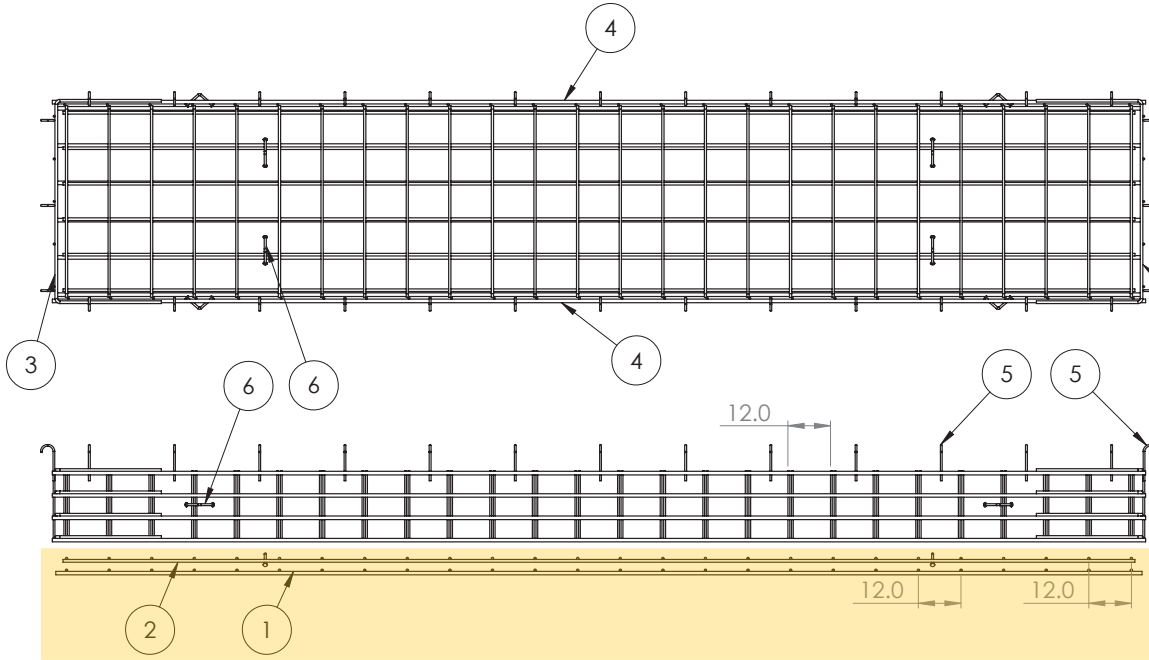
<b>PRODUCTION WORK ORDER</b>		PRODUCT I.D.: CVBS	DESCRIPTION: 62" X 264" X 8" SEPARATE BASE SLAB	
	<b>QUALITY CONTROL CHECKLIST</b> <input type="checkbox"/> ALL DIMENSIONS CORRECT. <input type="checkbox"/> LIFTERS INSTALLED. <input type="checkbox"/> CORRECT THICKNESS. <input type="checkbox"/> REINFORCING CORRECT. <input type="checkbox"/> FINISH ON SLAB SURFACE UNIFORM. <input type="checkbox"/> OUTSIDE TOP EDGE TROWELLED. <input type="checkbox"/> SOLID TONGUE JOINT INSTALLED.	PRODUCT VIEW: RIGHT SIDE UP	CUSTOMER: ENDESOL, INC.	
		PLANT: BEAVER DAM, KY	PROJECT: VSG 11-6	
		WEIGHT: 11,502 LBS	STRUCTURE: 2-53545 1 (EFX-60 21 PN VAULT)	
		TOP SECTION JOINT: N / A	ORDER NO: 25-3545	
		BASE SECTION JOINT: SOLID TONGUE	PE: J.H. ROSS	DRAWING: K. CARDWELL
QC CHECK INITIALS:	DATE: 10/03/25	SCALE: NTS	PG. 1 OF 1	

4

3

2

1



ITEM NO.	PART NUMBER	Qty.
1	252_Base_Bottom Mat	1
2	252_Base_Top Mat	1
3	Short Wall	2
4	252_ADJ_Long Wall	2
5	#4 0904J	32
6	6CA18	8

NOTES:

- 1. Rebar: #5, #6, #8 A614 Grade 60
- 2. All Rebar to have 1.5" Cover Minimum

**PROPRIETARY AND CONFIDENTIAL**  
 THE INFORMATION CONTAINED IN THIS DRAWING IS THE SOLE PROPERTY OF ENDESOL INC. ANY REPRODUCTION IN PART OR AS A WHOLE WITHOUT THE WRITTEN PERMISSION OF ENDESOL INC. IS PROHIBITED.

UNLESS OTHERWISE SPECIFIED:		NAME	DATE	<b>ENDESOL</b>
DIMENSIONS ARE IN INCHES		DRAWN	CMJ	
TOLERANCES:		CHECKED	JHR	3-25-16
FRACTIONAL 1/8"		ENG APPR.	XXXX	XXXX
TWO PLACE DECIMAL .13		MFG APPR.	XXXX	XXXX
THREE PLACE DECIMAL .125		Q.A.	XXXX	XXXX
INTERPRET GEOMETRIC TOLERANCING PER:		COMMENTS:		
MATERIAL		Rebar A614 G60		
FINISH		MILL		
NEXT ASSY	USED ON	SCALE: 1:50 WEIGHT:		
APPLICATION		DO NOT SCALE DRAWING		
TITLE:				<b>REV X1</b>
EFX-60 Adjustable Section Rebar Layout				
SIZE <b>B</b>	DWG. NO. EFX-60 ADJ Rebar	SHEET 1 OF 1		

4

3

2

1

B

B

A

A

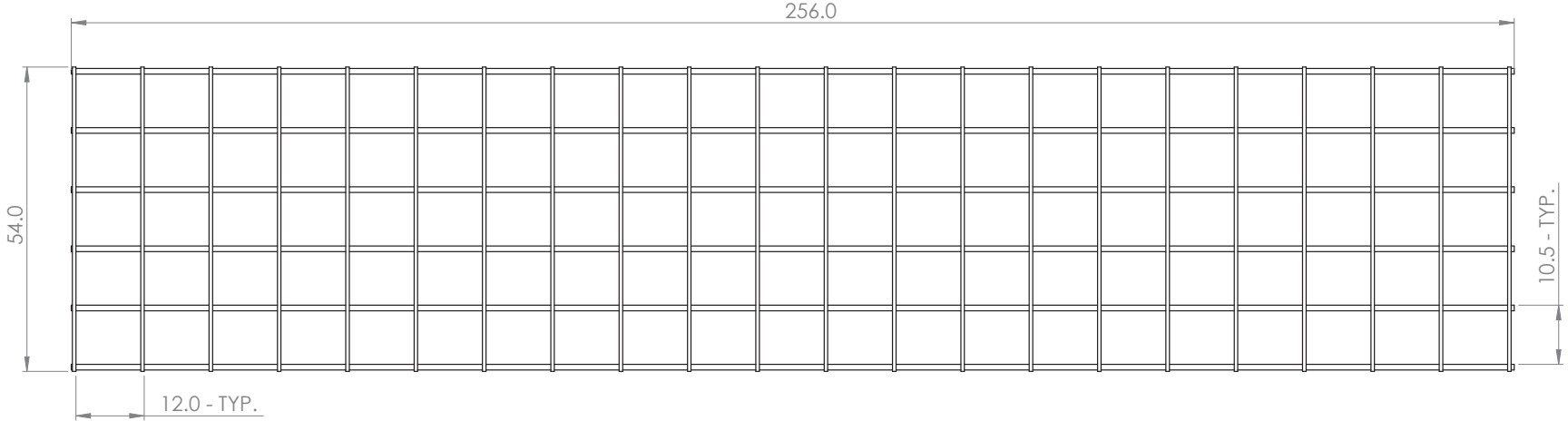
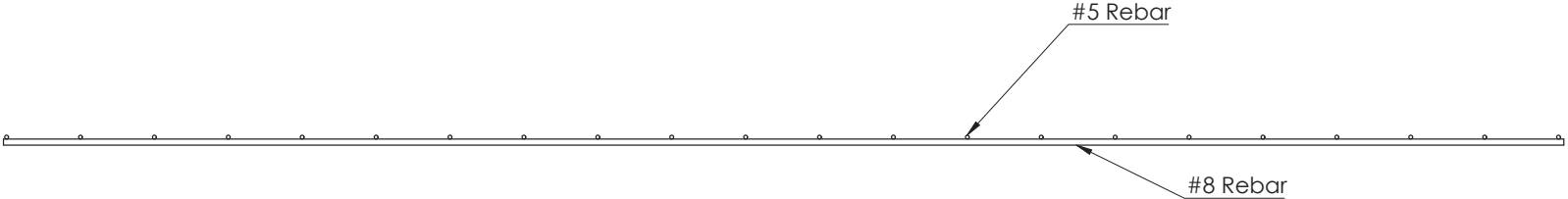
4

3

2

1

ITEM NO.	PART NUMBER	DESCRIPTION	QTY.
1	#8_256.0	#8 Rebar	6
2	#5_54.0	#5 Rebar	22



981 W. 7th Street  
 Beaver Dam, KY  
 42320  
 P 270-363-2238  
 F 270-363-2234  
 iCastinc.com

DIMENSIONS ARE IN INCHES  
 TOLERANCES:  
 FRACTIONAL ±  
 ANGULAR: MACH ± BEND ±  
 DECIMAL ± 0.5"

	NAME	DATE
DRAWN	CMJ	8/3/20
CHECKED	JHR	8/3/20
ENG APPR.		
MFG APPR.		
Q.A.		
COMMENTS:		

**PROPRIETARY AND CONFIDENTIAL**  
 THE INFORMATION CONTAINED IN THIS DRAWING IS THE SOLE PROPERTY OF  
 INFRASTRUCTURE PRECAST INC. (iCast). ANY REPRODUCTION IN PART OR  
 AS A WHOLE WITHOUT THE WRITTEN PERMISSION OF iCast IS PROHIBITED.

MATERIAL  
 FINISH  
 DO NOT SCALE DRAWING

SIZE DWG. NO. REV.  
**B** 252\_Base\_Bottom Mat  
 SCALE: 1:50 WEIGHT: SHEET 1 OF 1

4

3

2

1

B

B

A

A

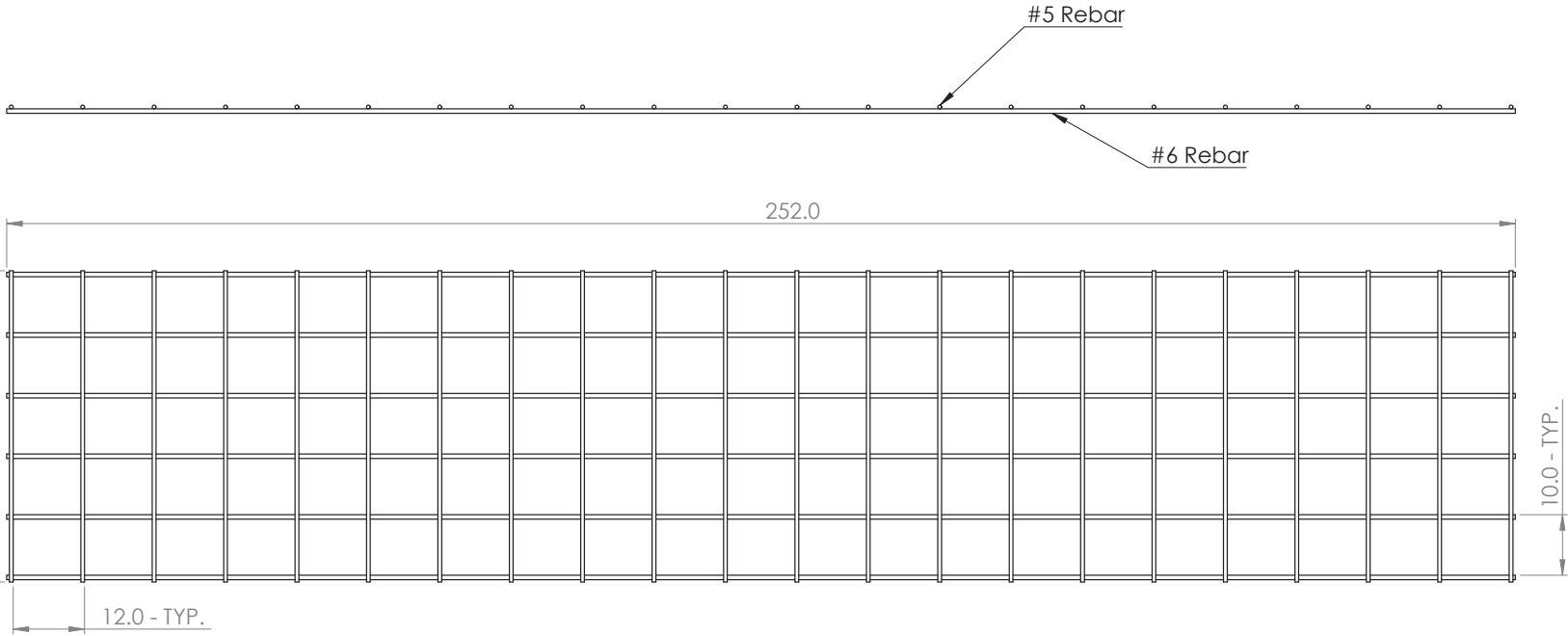
4

3

2

1

ITEM NO.	PART NUMBER	DESCRIPTION	QTY.
1	#6_252.0	#6 Rebar	6
2	#5_52.0	#5 Rebar	22



981 W. 7th Street  
 Beaver Dam, KY  
 42320  
 P 270-363-2238  
 F 270-363-2234  
 iCastinc.com

DIMENSIONS ARE IN INCHES  
 TOLERANCES:  
 FRACTIONAL ±  
 ANGULAR: MACH ± BEND ±  
 DECIMAL ± 0.5"

MATERIAL  
 FINISH  
 DO NOT SCALE DRAWING

	NAME	DATE
DRAWN	CMJ	8/3/20
CHECKED	JHR	8/3/20
ENG APPR.		
MFG APPR.		
Q.A.		
COMMENTS:		

PROPRIETARY AND CONFIDENTIAL  
 THE INFORMATION CONTAINED IN THIS DRAWING IS THE SOLE PROPERTY OF  
 INFRASTRUCTURE PRECAST INC. (iCast). ANY REPRODUCTION IN PART OR  
 AS A WHOLE WITHOUT THE WRITTEN PERMISSION OF iCast IS PROHIBITED.

SIZE DWG. NO. REV.  
**B** 252\_Base\_Top Mat  
 SCALE: 1:50 WEIGHT: SHEET 1 OF 1

4

3

2

1

B

B

A

A