

Job Name: 25-3544 - VSG 10-7

Job Location:

Contractor: Endesol, Inc.

PC: E. Bradley

TECH: K. Cardwell

Plant: Beaver Dam, KY



Structure ID: **2-53544 1**

Spec: Storm-Pipe Centered

Type: BX 6inW, 6inF

Size: 50" x 252"

Rim: 2.33'

Invert: 1.08'

Rim to Invert: 1.25'

Sump: 12.96"

Floor (Top): 0'

Floor Height: 6"

Floor (Bot): -0.5'

Overall Height: 2.833'

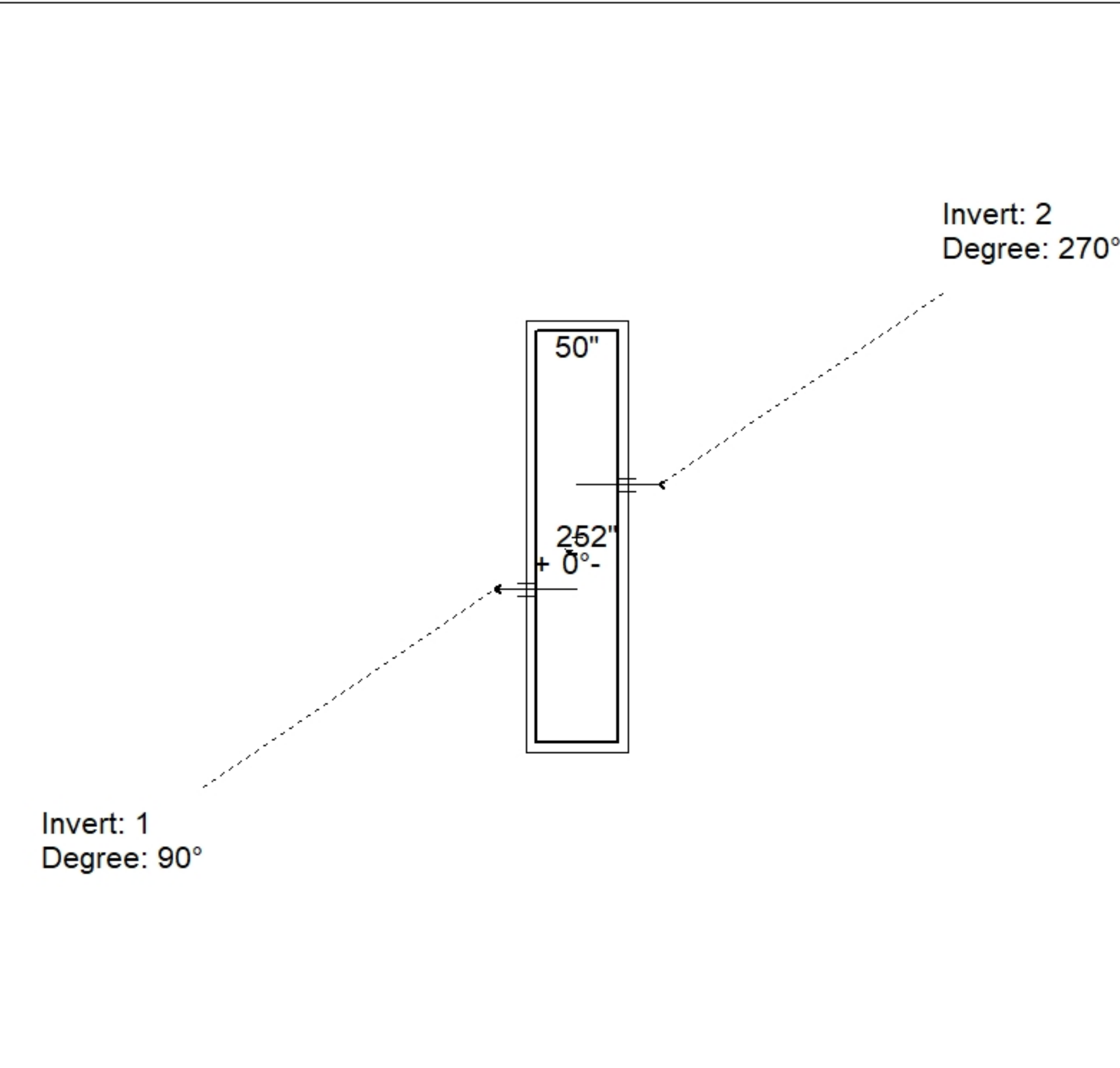
Slack: -0.04"

Structure Notes:

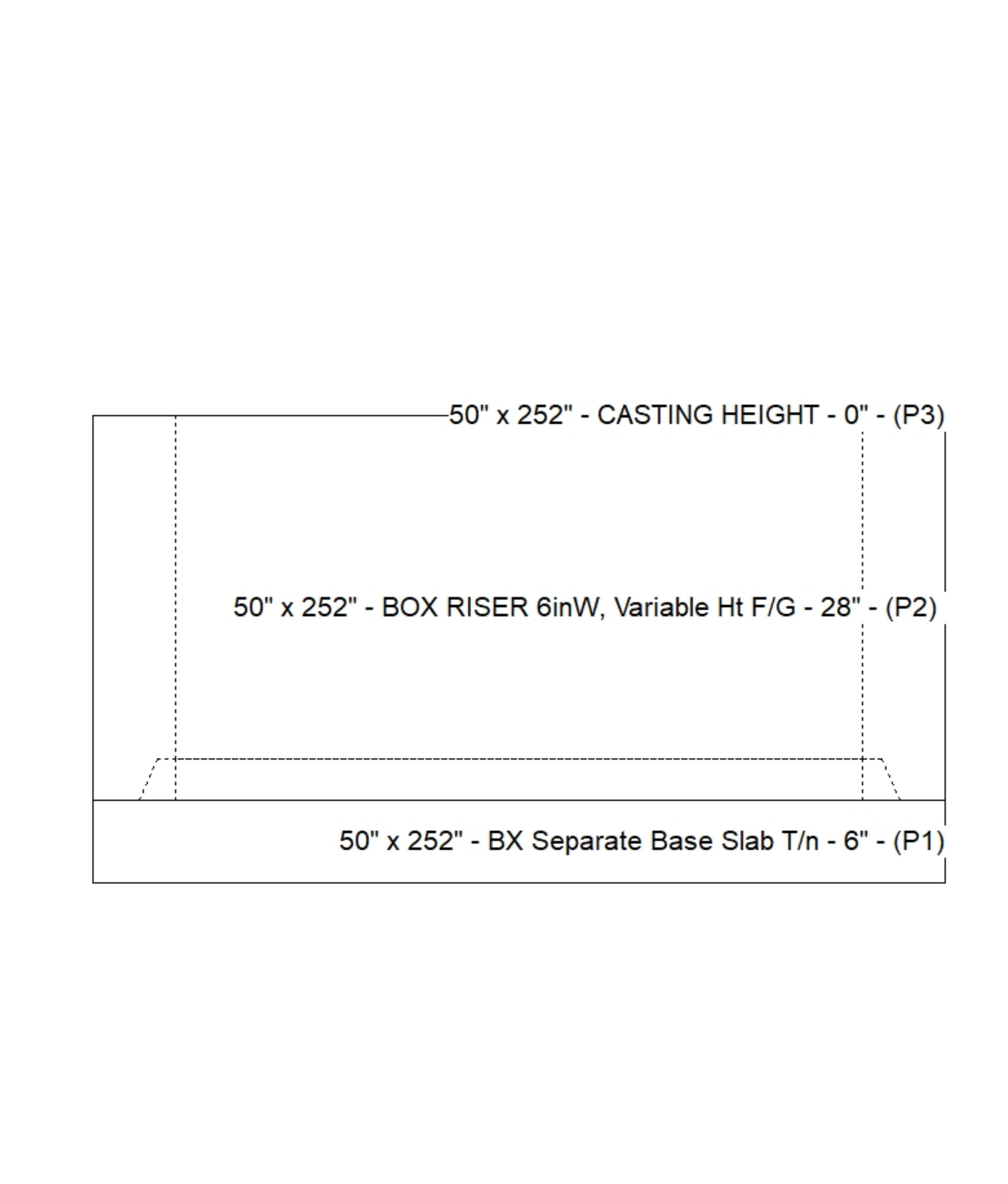
- A) PER ASTM C913.
- B) CONCRETE = 4,500 PSI AT 28 DAYS.
- C) REINFORCING PER ASTM A615 (GRADE 60).

STRUCTURE SUMMARY:

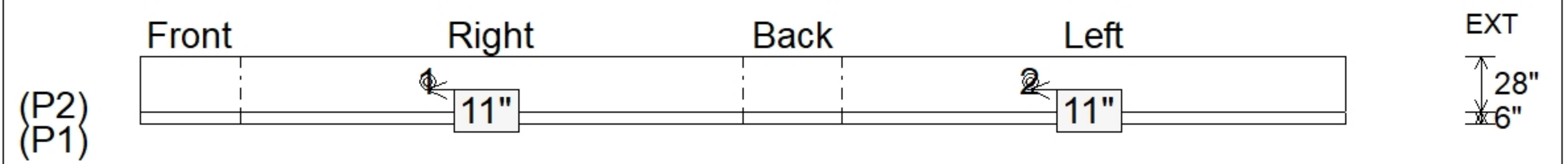
P3) 50" x 252" - CASTING HEIGHT - 0"	0 lb
P2) 50" x 252" - BOX RISER 6inW, Variable Ht F/G - 28"	8802 lb
P1) 50" x 252" - BX Separate Base Slab T/n - 6"	8241 lb
2) Hole - 8	0 lb
	Structure Total: 17043 lb



Position	Elev	Angle	Pipe	Pipe OD	Hole	Connector	Up ()	Ref
Rim	2.33'							
Reducer								
Invert 1	1.08'	90°	4" PVC SCH40	4.5"	8"	Hole 8	11"	P2
Invert 2	1.08'	270°	4" PVC SCH40	4.5"	8"	Hole 8	11"	P2
Invert 3								
Invert 4								
Invert 5								
Invert 6								
Invert 7								
Invert 8								



Cast (Int. Dim.) - Interior Dimensions



Submittal Drawing
10/20/2025 8:03:50 AM

SUBMITTAL
APPROVED BY: