

Job Name: 25-3538 - Pump Station Retrofit (Thompson Station)
 Job Location: Thompson's Station, TN
 Contractor: Covenant Constructors, LLC

Plant: Beaver Dam, KY
 1/16/2026 5:16:48 AM

Tech: K. Cardwell
 PC: A. Chambers



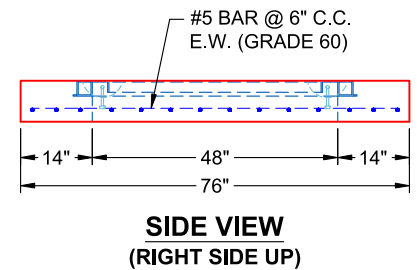
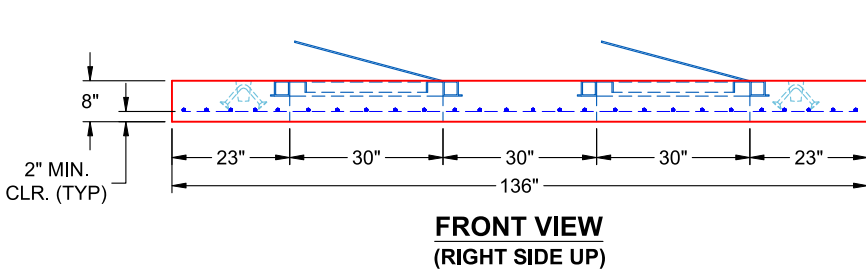
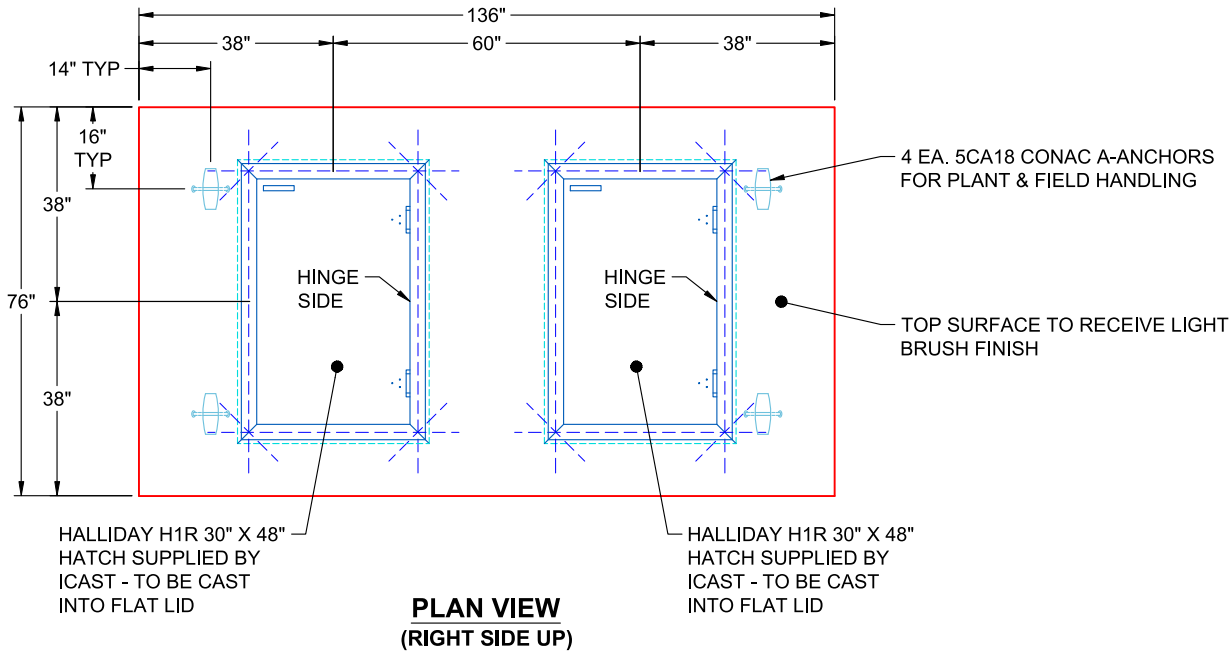
Structure ID: V V

P2 BX60120-08LD08-S

BX FLAT TOP 8"W w/(2) 30"x48" HATCHES F/F

P3)	30" x 48" - HATCH (CAST FLUSH) - 3"	0 lb
P2)	60" x 120" - BX FLAT TOP 8"W w/(2) 30"x48" HATCHES F/F - 8"	5305 lb
P1)	60" x 120" - BX BASE w/FLANGE 08W/08F/08EF F/n - 76"	29387 lb
1)	JOINT WRAP PRIMER - CONSEAL CS-75 (1 gal.)	0 lb
1)	JOINT WRAP - 0.065"x6"x50' CONSEAL CS212	0 lb
2)	HATCH (Alum.) - HALLIDAY H1R 30"x48"	300 lb
1)	This Structure Includes a Cast-In Item - 2 Ea. Halliday H1R 30" x 48" Hatches	0 lb
1)	SPECIAL Internal Coating - Carboline 300M	0 lb
1)	60" x 120" - Conseal CS-102 1.00" (Double)	0 lb
1)	30" x 48" - Conseal CS-102 1.00" (Double)	0 lb
1)	NO PIPE (INT. FLOOR)	0 lb
12)	MH Step ML-10-TDS-NCR - 10"	0 lb
	298.68 SqFt) Carboline Bitumastic 300M [INT]	0 lb
	Structure Total:	34992 lb

- Structure Notes:**
- PER ASTM C-913 SPECIFICATIONS
 - CONCRETE: 5,000 PSI AT 28 DAYS
 - REINFORCEMENT: #5 BAR @ 6" C.C. E.W. (GRADE 60) - 2" MIN. REBAR CLEARANCE (TYP)
 - CARBOLINE 300M INTERIOR COATING SUPPLIED BY ICAST
 - 2 EA. HALLIDAY H1R 30" X 48" HATCHES SUPPLIED BY ICAST - TO BE CAST INTO FLAT LID
 - LIFTERS: 4 EA. 5CA18 CONAC A-ANCHORS FOR PLANT & FIELD HANDLING
 - TOP SURFACE TO RECEIVE LIGHT BRUSH FINISH



Coating (Int): Carboline Bitumastic 300M Coating (Ext):	Seam Up: Flat Seam Dn: Flat	Wall Thickness: 8"	Height (Ext): 8"	Weight (Net): 5305 lb Volume (Net): 1.36cu.yd
--	--------------------------------	--------------------	------------------	--

Job Number:

25-3538

Job Name:

Pump Station Retrofit (Thompson Station)

Structure:

V V

Note:

2 Each Halliday H1R 30" x 48"

Hatches Supplied By iCast To Be Cast Into Flat Lid

Job Number:

25-3538

Job Name:

Pump Station Retrofit (Thompson Station)

Structure:

V V

Note:

This Structure Is To Receive A Carboline 300M Internal Coating (By iCast)