



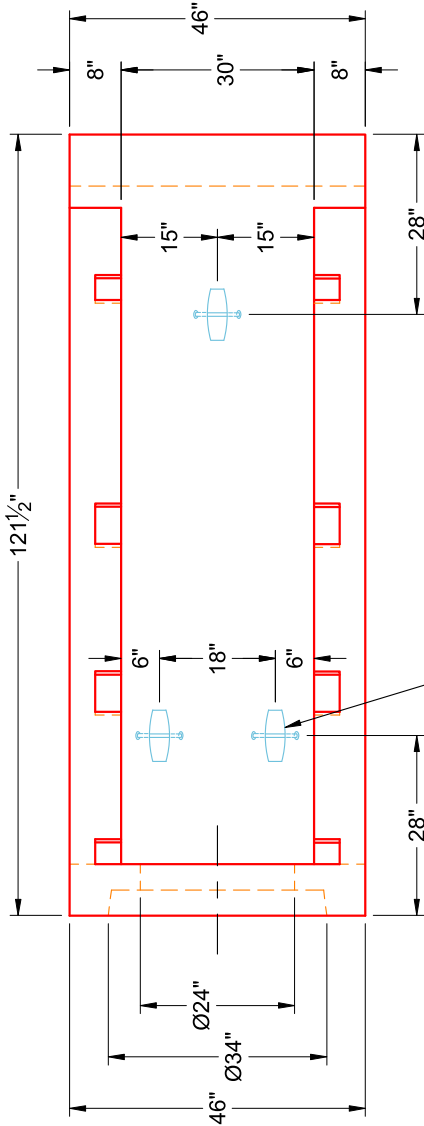
Structure ID: 3-53537 (2)

P1 HWSBO24

24" - SLOPED BOX OUTLET TYPE 1 F/F

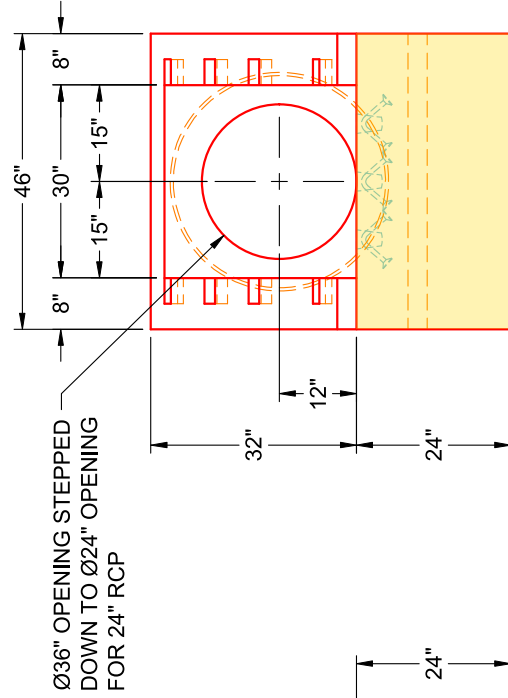
GENERAL NOTES:

1. CONCRETE: KYTC APPROVED
2. REINFORCEMENT: #5 BAR @ 12" C.C. E.W. (GRADE 60) - 2" MIN. REBAR CLEARANCE (TYP)
3. TOTAL WEIGHT: 7,250 LBS
 - FIRST POUR: 4,465 LBS
 - SECOND POUR: 2,785 LBS
4. DRAWING TO BE USED IN CONJUNCTION WITH KYTC STANDARD DRAWINGS RDB-100-05 & RDB-101-05 & THE STANDARD SPECIFICATIONS FOR ROAD & BRIDGE CONSTRUCTION
5. 3/4" CHAMFER ON ALL EXPOSED EDGES
6. JR HOE KY-300 24" SLOPED BOX OUTLET TYPE 1 HEADWALL GRATES SUPPLIED BY ICAST

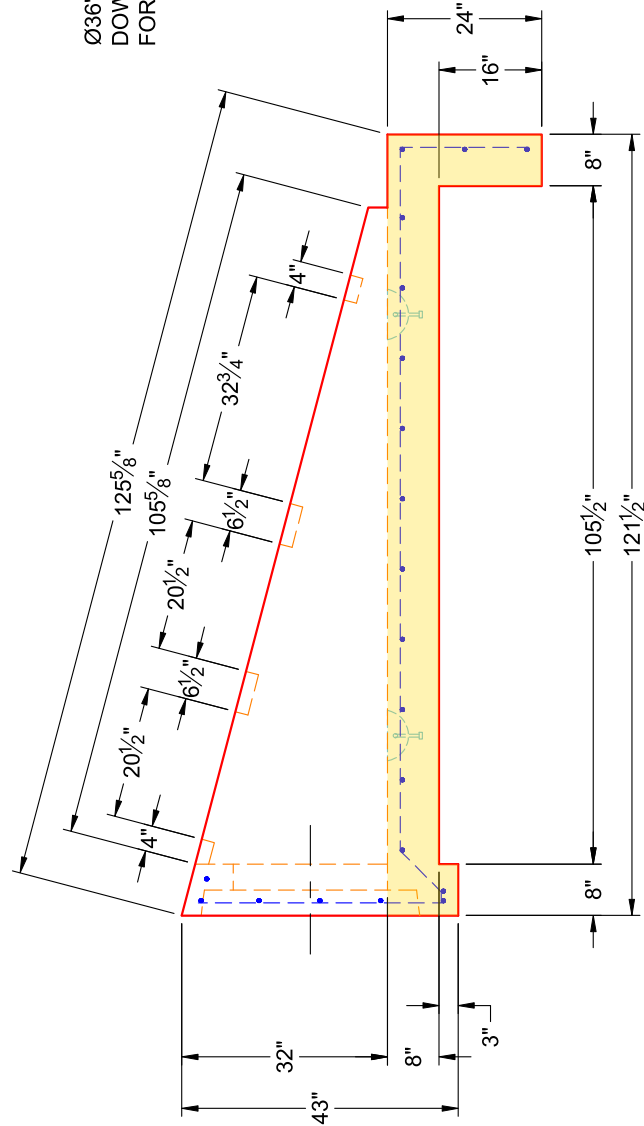


3 EA. 5CA14 CONAC A-ANCHORS FOR PLANT & FIELD HANDLING

**PLAN VIEW
(RIGHT SIDE UP)**



**SIDE VIEW
(RIGHT SIDE UP)**



**FRONT VIEW
(RIGHT SIDE UP)**

Ø36" OPENING STEPPED DOWN TO Ø24" OPENING FOR 24" RCP



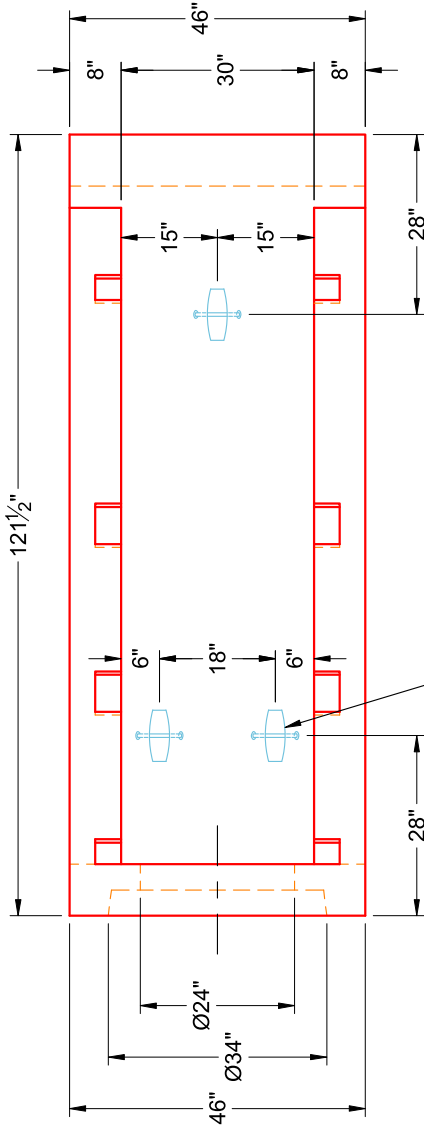
Structure ID: 3-53537 (2)

P1 HWSBO24

24" - SLOPED BOX OUTLET TYPE 1 F/F

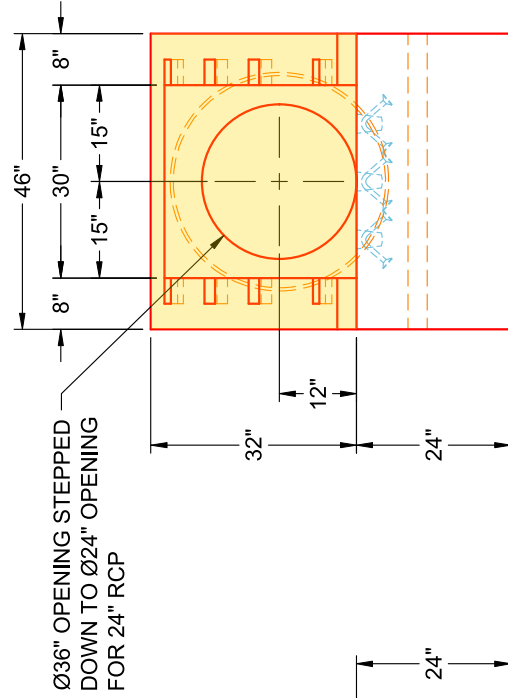
GENERAL NOTES:

1. CONCRETE: KYTC APPROVED
2. REINFORCEMENT: #5 BAR @ 12" C.C. E.W. (GRADE 60) - 2" MIN. REBAR CLEARANCE (TYP)
3. TOTAL WEIGHT: 7,250 LBS
 - FIRST POUR: 4,465 LBS
 - SECOND POUR: 2,785 LBS
4. DRAWING TO BE USED IN CONJUNCTION WITH KYTC STANDARD DRAWINGS RDB-100-05 & RDB-101-05 & THE STANDARD SPECIFICATIONS FOR ROAD & BRIDGE CONSTRUCTION
5. 3/4" CHAMFER ON ALL EXPOSED EDGES
6. JR HOE KY-300 24" SLOPED BOX OUTLET TYPE 1 HEADWALL GRATES SUPPLIED BY ICAST

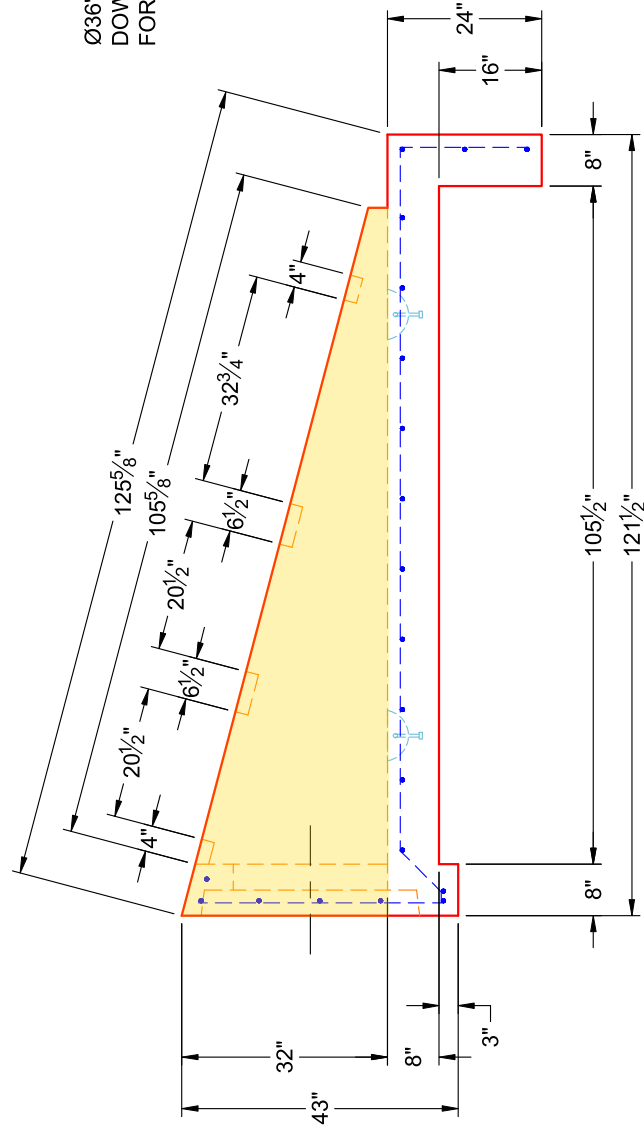


3 EA. 5CA14 CONAC A-ANCHORS FOR PLANT & FIELD HANDLING

**PLAN VIEW
(RIGHT SIDE UP)**



**SIDE VIEW
(RIGHT SIDE UP)**



**FRONT VIEW
(RIGHT SIDE UP)**

Ø36" OPENING STEPPED DOWN TO Ø24" OPENING FOR 24" RCP