

Job Name: 25-3531 - Crescent Hill Filtration Plant Carbon Storage
 Job Location: Louisville, KY
 Contractor: Dugan & Meyers, LLC

Plant: Beaver Dam, KY
 3/30/2026 9:44:39 AM

Tech: K. Cardwell
 PC: J. Jarvis



Structure ID: V-004

P2 BX060120-00RVF

BOX RISER 8inW, Variable Ht

- P4) 60" x 120" - HATCH (CAST FLUSH) - 3"
- P3) 60" x 120" - BX FLAT TOP 8"W w/60"x120" HATCH - 8"
- P2) 60" x 120" - BOX RISER 8inW, Variable Ht - 27"
- P1) 60" x 120" - BOX BASE 8inW, 8inF - 31"
- 1) HATCH (Alum.) - HALLIDAY H2R 48"x48"
- 1) This Structure Includes a Cast-In Item (Hatch)
- 1) SECONDARY POUR - WALLS
- 3) 60" x 120" - Conseal CS-102 1.00"
- 8) Hole - 6.5
- 5) MH Step ML-10-TDS-NCR - 10"

100 lb
 2105 lb
 7105 lb
 14918 lb
 235 lb
 0 lb
 0 lb
 0 lb
 0 lb
 0 lb

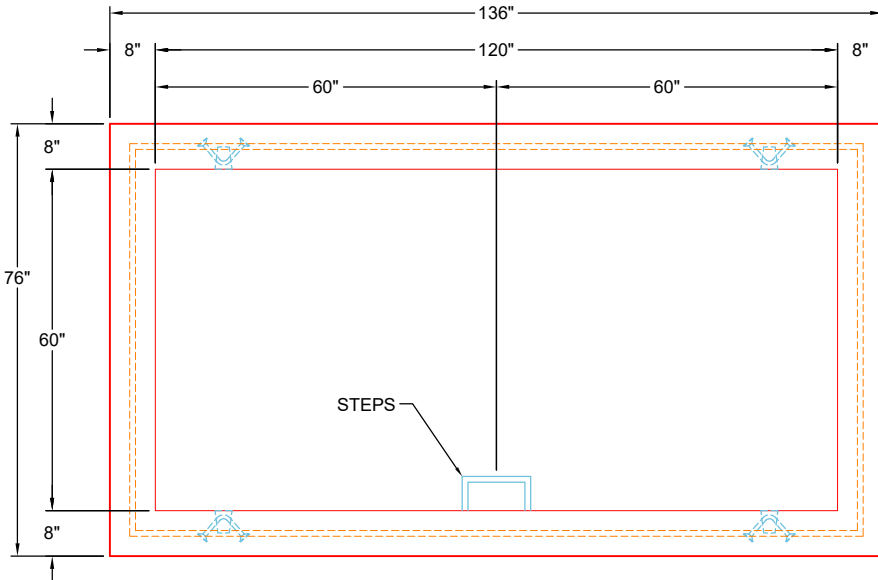
 Structure Total: 24463 lb

Structure Notes:

1. PER ASTM C913 SPECIFICATIONS.
2. CONCRETE = 4,000 PSI AT 28 DAYS.
3. NO INVERT CHANNEL.

REINFORCING PER ASTM A615 (GRADE 60).
 - TOP SLAB (As .62) #5 BARS AT 6" C.C.E.W.
 - WALLS (As .31) #5 BARS AT 12" C.C.E.W.
 - FLOOR (As .31) #5 BARS AT 12" C.C.E.W.

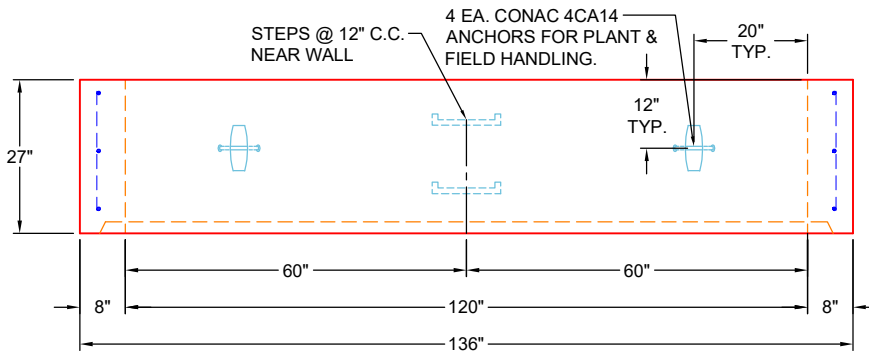
Rim: 557.04' Rim to Invert: 5' Slack: 0" Sump: 6" Step Position: 0°



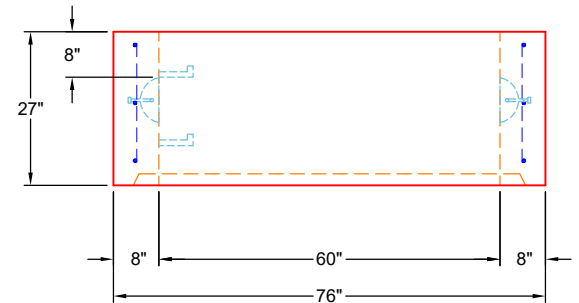
PLAN VIEW

GENERAL NOTES:

1. MANUFACTURED TO ASTM C-913 (LATEST REVISION) & DESIGNED TO MEET ASTM C857 & ACI 318 REQUIREMENTS.
2. CONCRETE: 5,000 PSI AT 28 DAYS
3. REINFORCEMENT
 - WALLS: #5 BAR @ 12" C.C. E.W. (GRADE 60)
4. JOINT SEALANT: CONSEAL CS-102



FRONT VIEW



RIGHT VIEW

Coating (Int):
 Coating (Ext):

Seam Up: Flat
 Seam Dn: Groove

Wall Thickness: 8"
 Floor Height: 0"

Height (Int): 27"
 Height (Ext): 27"

Weight (Net): 7105 lb
 Volume (Net): 1.82cu.yd