

Job Name: 25-3516 Bank Of America
Job Location: Hermitage, TN
Contractor: Apex Earthworks

PC: A. Chambers
 TECH: J. Coppage
 Plant: Beaver Dam



Structure ID: **CB-2**
 Spec: Storm
 Type: STM.MH
 Size: 48"

Rim: 0'
 Invert: 0'
 Rim to Invert: 0'

Sump: 0"
 Floor (Top): -1.333'
 Floor Height: 0"

Floor (Bot): -1.333'
 Overall Height: 1.333'
 Slack: 0"

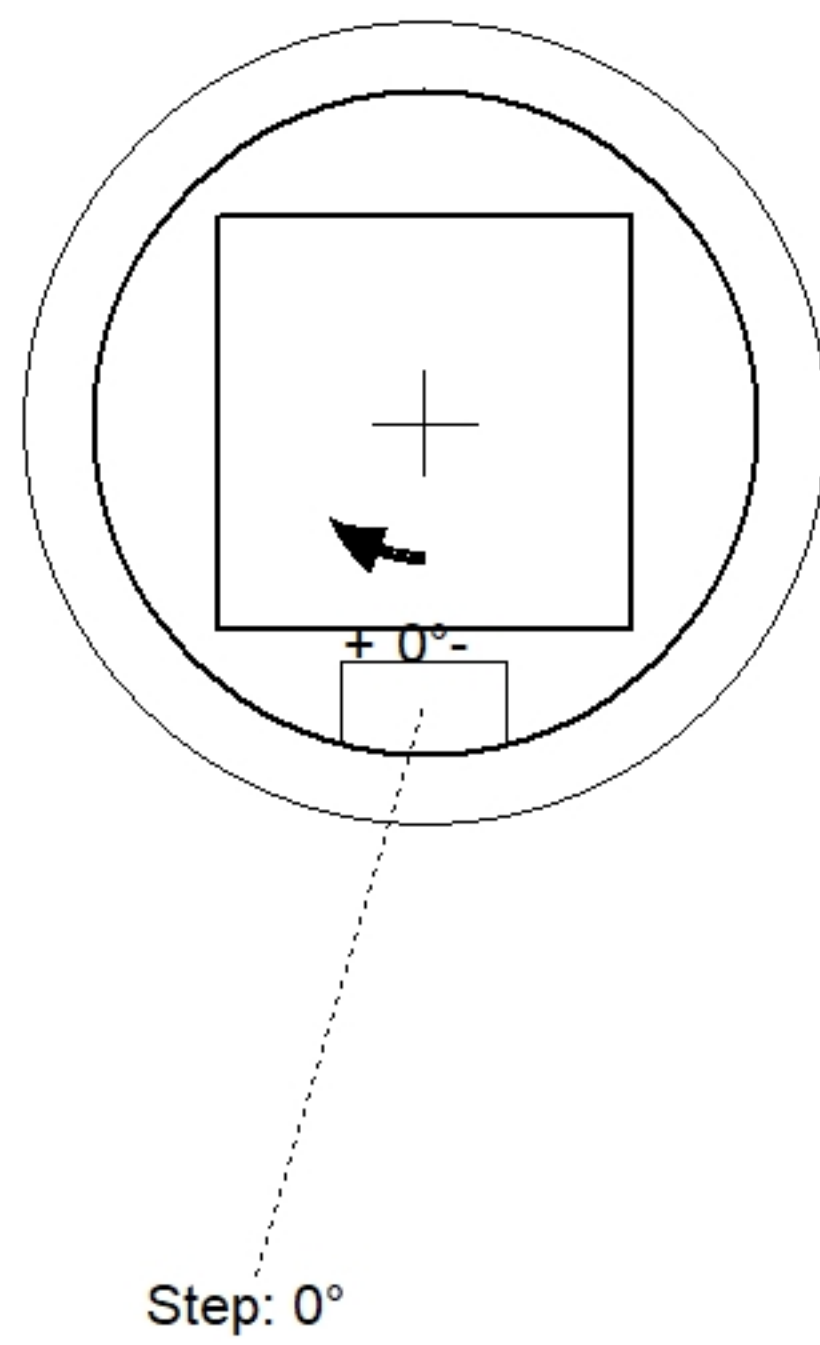
Structure Notes:

1. PER ASTM C478 SPECIFICATIONS.
2. CONCRETE = 4,000 PSI AT 28 DAYS.
3. REINFORCING PER ASTM A615 (GRADE 60).
 - TOP SLAB (As .62) #5 BARS AT 6" C.C.E.W..

STRUCTURE SUMMARY:

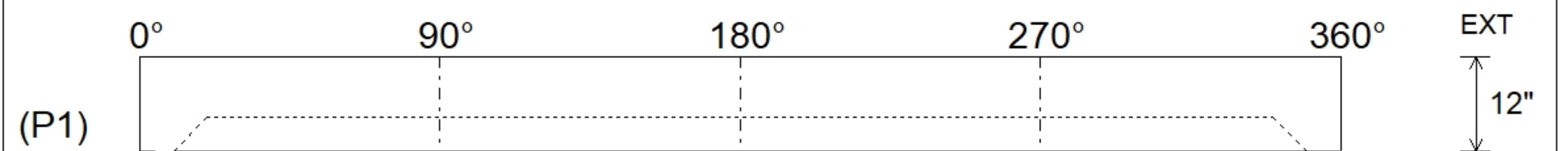
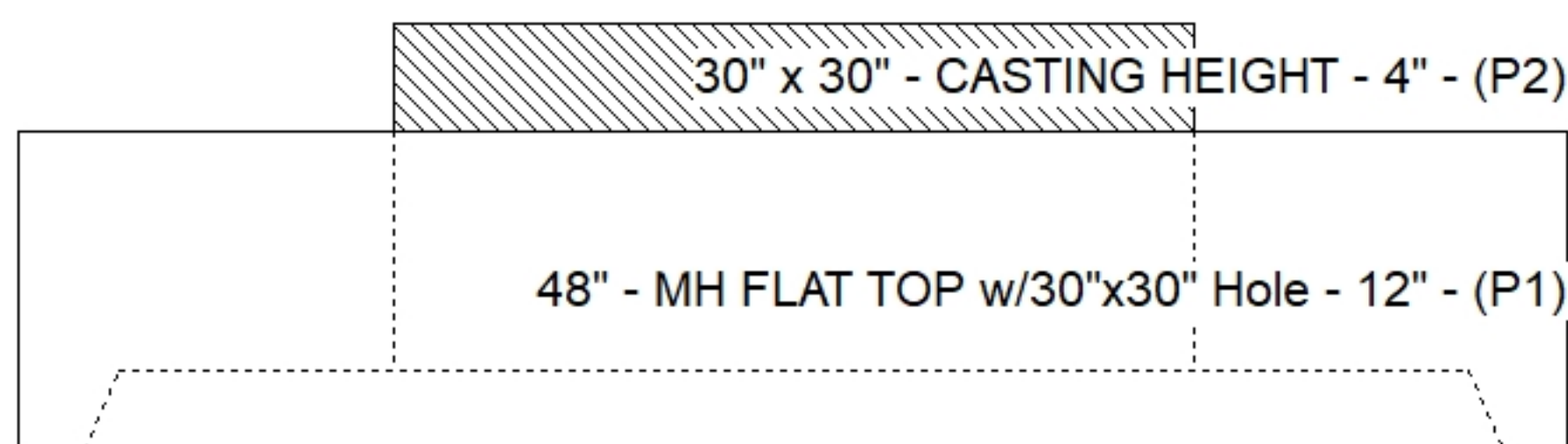
P2) 30" x 30" - CASTING HEIGHT - 4"	0 lb
P1) 48" - MH FLAT TOP w/30"x30" Hole - 12"	1350 lb
1) CASTING - JBS 4315 F/G	500 lb
1) 30" x 30" - Conseal CS-102 1.00"	0 lb

Structure Total:	1850 lb



Position	Elev	Angle	Pipe	Pipe OD	Hole	Connector	Up ()	Ref
Rim	0'							
Reducer								
Invert 1								
Invert 2								
Invert 3								
Invert 4								
Invert 5								
Invert 6								
Invert 7								
Invert 8								

Default - Interior Dimensions



Submittal Drawing
 10/23/2025 7:34:21 AM

SUBMITTAL
 APPROVED BY: