

Job Name: 25-3515 ADS Cityview Station [Copy 1]
Job Location: Ludlow, KY 41016
Contractor: ADS Advances Drainage Systems, Inc.

PC: C. Goff
 TECH: J. Coppage
 Plant: Beaver Dam



Structure ID: **S4-123**
 Spec: Storm-Pipe Centered
 Type: STM.MH
 Size: 48"

Rim: 574.29'
 Invert: 568.61'
 Rim to Invert: 5.68'

Sump: 85"
 Floor (Top): 561.527'
 Floor Height: 6"

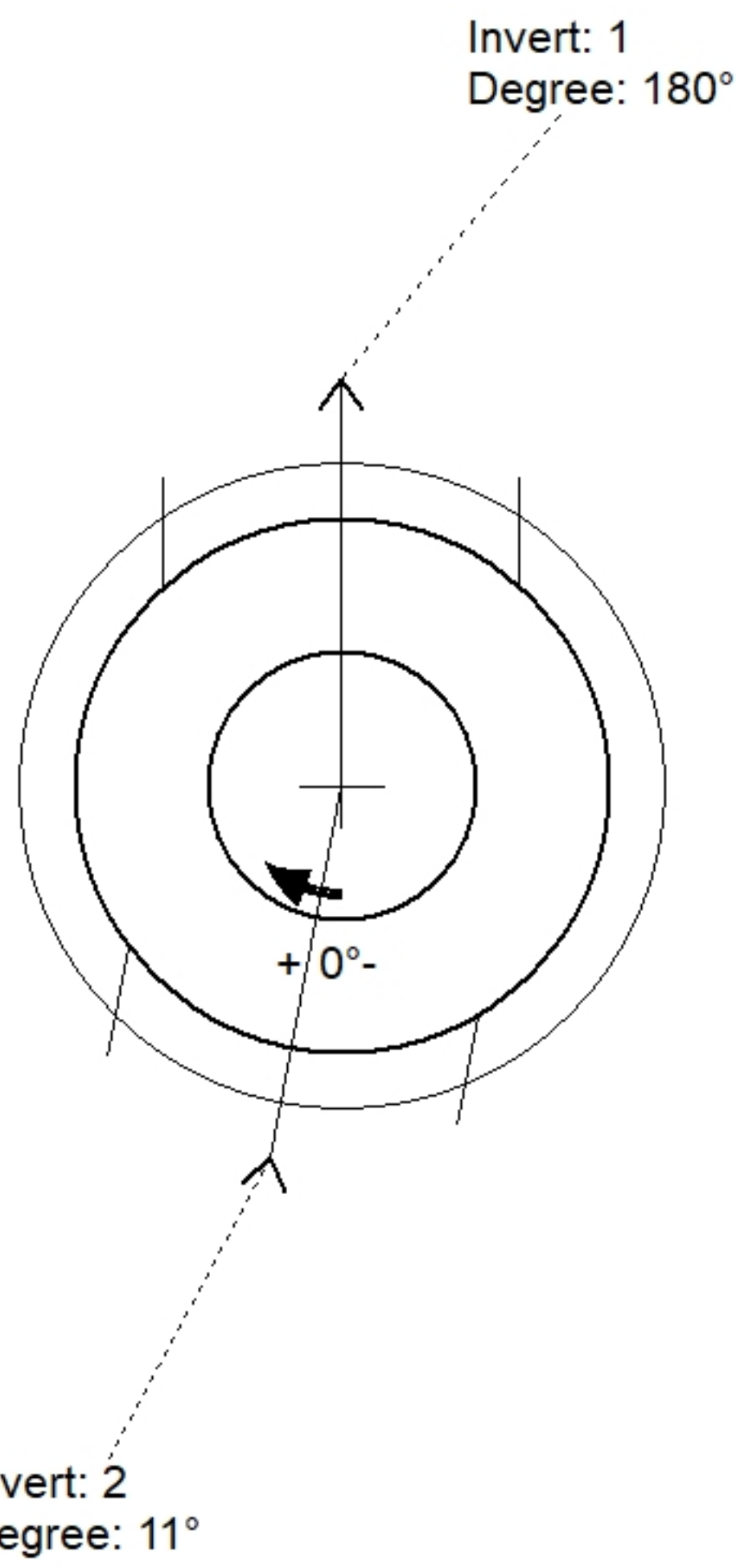
Floor (Bot): 561.027'
 Overall Height: 13.25'
 Slack: 0.16"

Structure Notes:

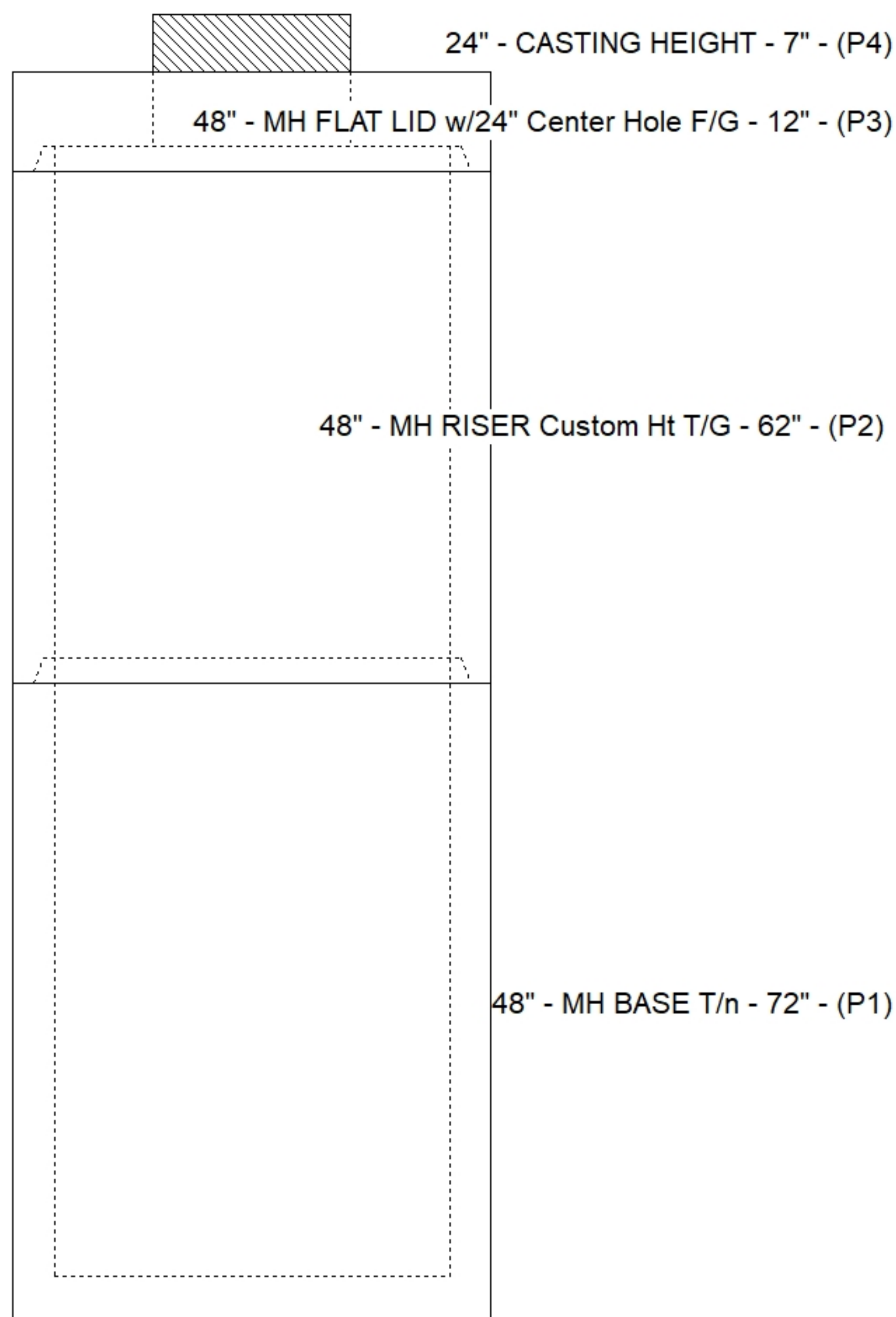
- JR HOE MC-375 STORM PROVIDED BY ICAST.
- PER ASTM C478 SPECIFICATIONS.
- CONCRETE = 4,000 PSI AT 28 DAYS.
- REINFORCING PER ASTM A615 (GRADE 60).
 - TOP SLAB (As .62) #5 BARS AT 6" C.C.E.W..
 - RISER/WALLS (As .12)
 - FLOOR (As .31) #5 BARS AT 12" C.C.E.W.
- LIFTING HOOKS TO BE INSTALLED ON THE OUTSIDE OF THE STRUCTURE.

STRUCTURE SUMMARY:

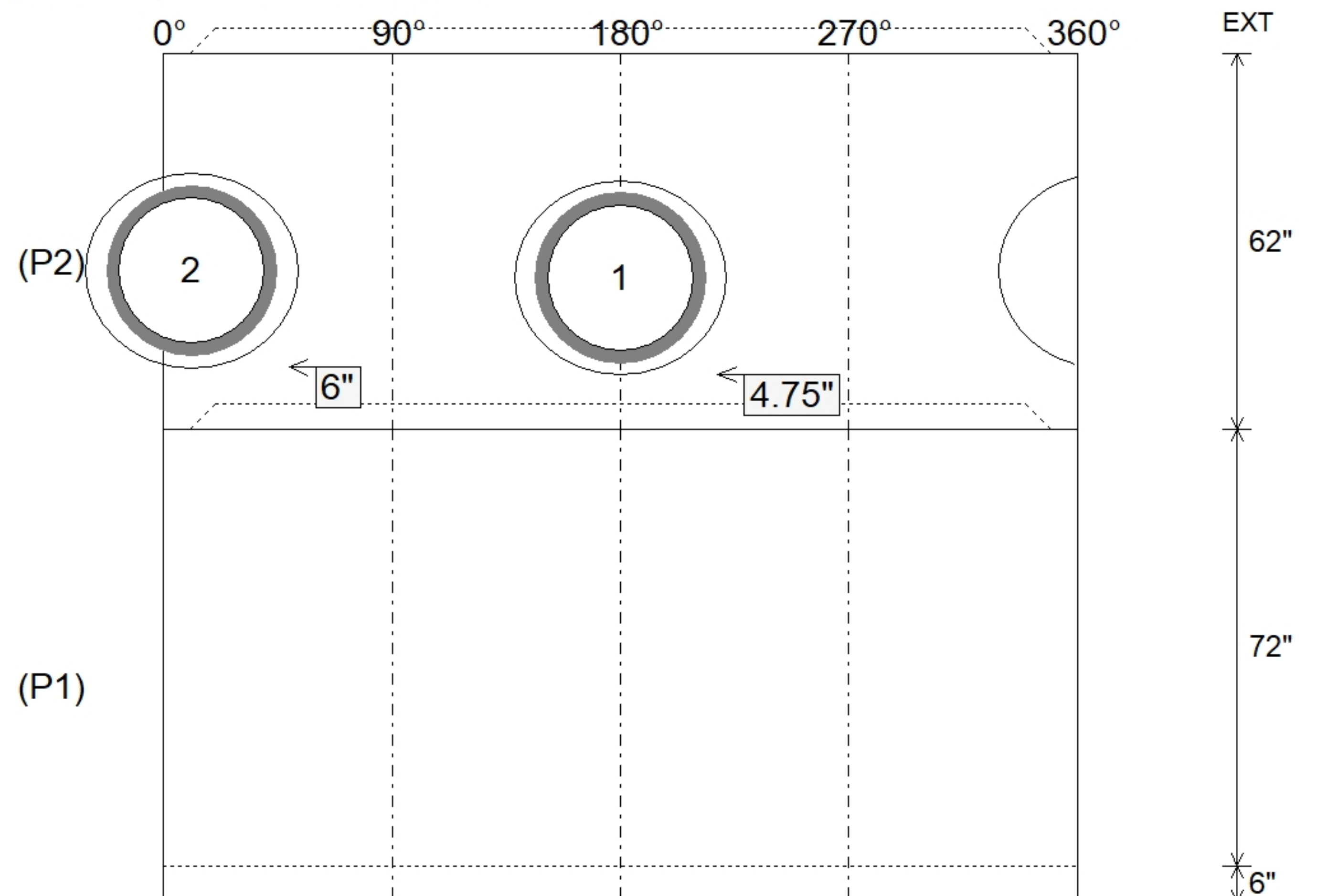
P4) 24" - CASTING HEIGHT - 7"	0 lb
P3) 48" - MH FLAT LID w/24" Center Hole F/G - 12"	1580 lb
P2) 48" - MH RISER Custom Ht T/G - 62"	3604 lb
P1) 48" - MH BASE T/n - 72"	6360 lb
1) PSASSEMBLY	0 lb
1) CASTING - HOE MC-375 F/C Storm	271 lb
2) 48" - Conseal CS-102 1.00"	0 lb
2) Hole - 32	0 lb
Structure Total:	11815 lb



Position	Elev	Angle	Pipe	Pipe OD	Hole	Connector	Up (")	Ref
Rim	574.29'							
Reducer								
Invert 1	568.61'	180°	24" ADS N-12	28"	32"	Hole 32	4.75"	P2
Invert 2	568.71'	11°	24" ADS N-12	28"	32"	Hole 32	6"	P2
Invert 3								
Invert 4								
Invert 5								
Invert 6								
Invert 7								
Invert 8								



Cast (Int. Dim.) - Interior Dimensions



Submittal Drawing
 10/20/2025 3:21:28 PM

SUBMITTAL
 APPROVED BY: