

Structure ID: S4-123

P2 MH048RSVF

MH RISER Custom Ht T/G

P4) 24" - CASTING HEIGHT - 7" P3) 48" - MH FLAT LID w/24" Center Hole F/G - 12" P2) 48" - MH RISER Custom Ht T/G - 62" P1) 48" - MH BASE T/n - 72" 1) PSASSEMBLY 1) CASTING - HOE MC-375 F/C Storm 2) 48" - Conseal CS-102 1.00" 2) Hole - 32	0 lb 1580 lb 3604 lb 6360 lb 0 lb 271 lb 0 lb 0 lb _____ Structure Total: 11815 lb
--	---

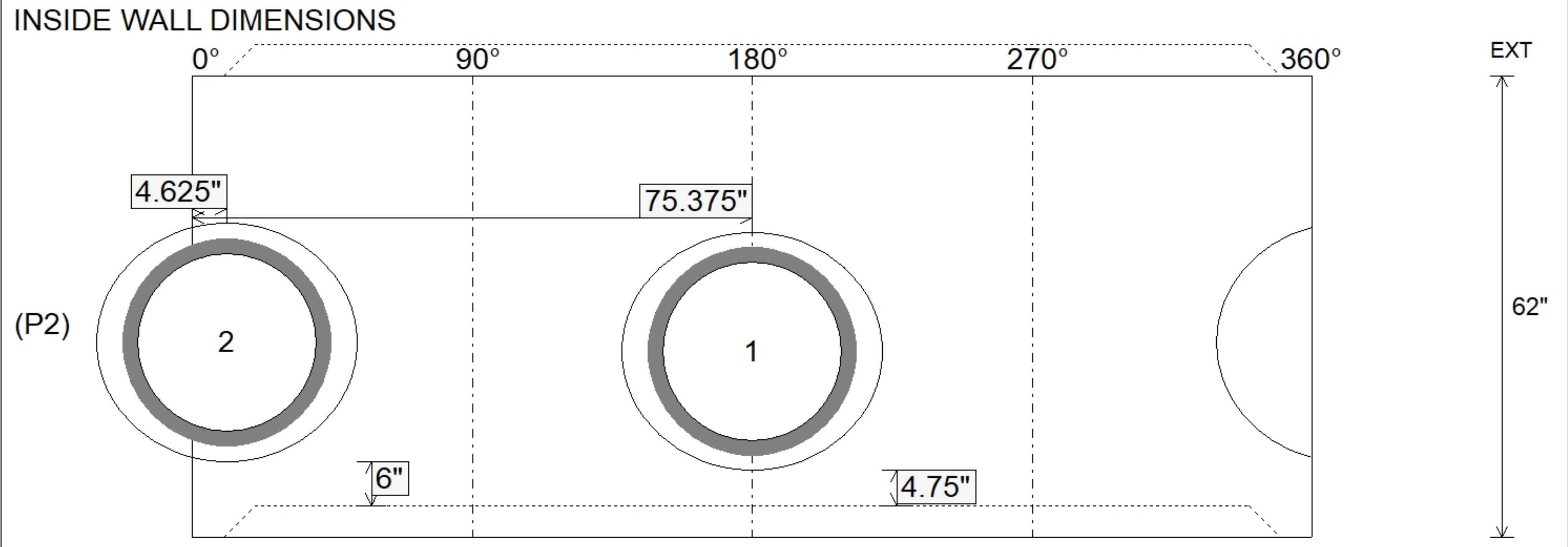
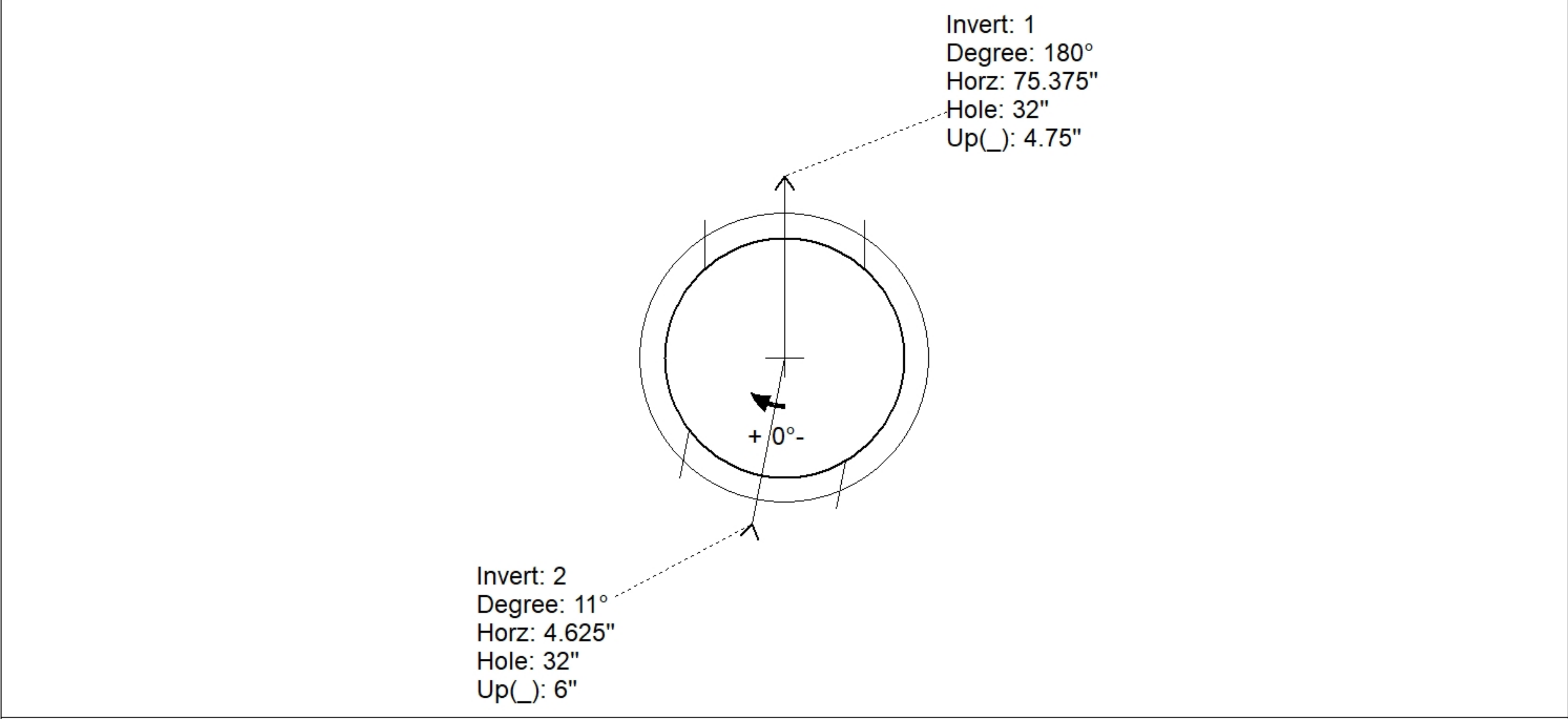
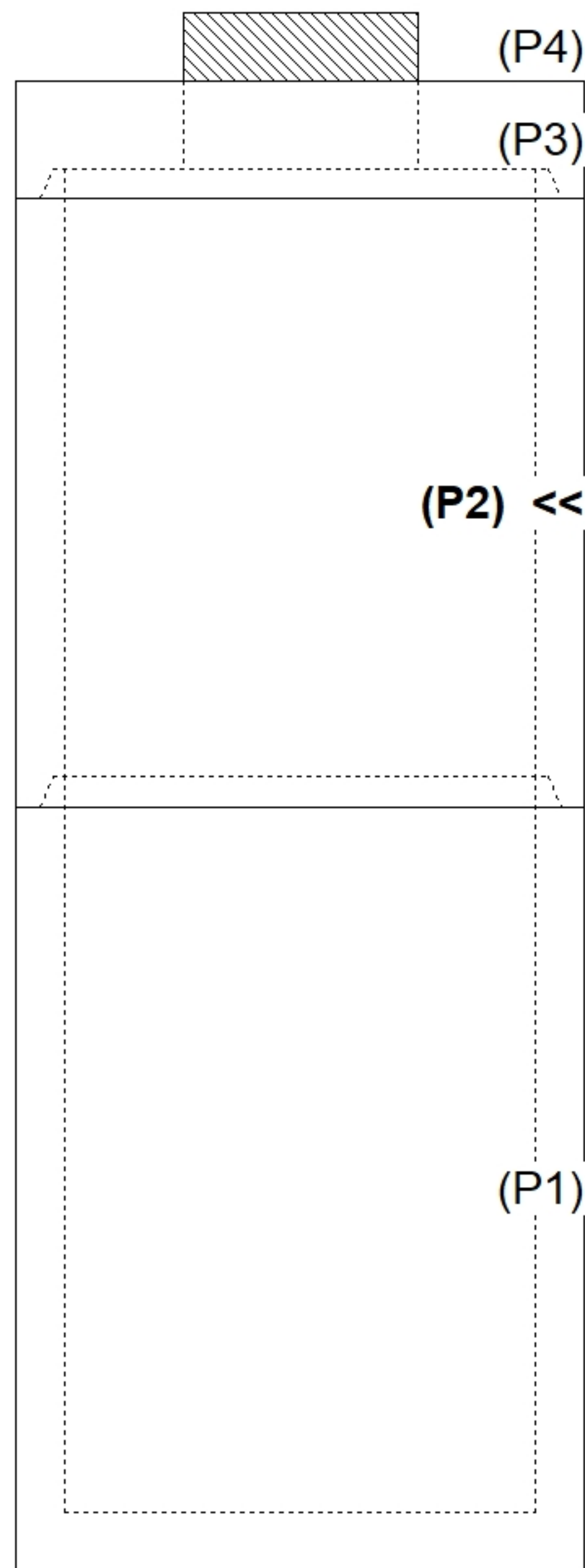
Structure Notes:

1. JR HOE MC-375 STORM PROVIDED BY ICAST.
2. PER ASTM C478 SPECIFICATIONS.
3. CONCRETE = 4,000 PSI AT 28 DAYS.
4. REINFORCING PER ASTM A615 (GRADE 60).
 - TOP SLAB (As .62) #5 BARS AT 6" C.C.E.W..
 - RISER/WALLS (As .12)
 - FLOOR (As .31) #5 BARS AT 12" C.C.E.W.
5. LIFTING HOOKS TO BE INSTALLED ON THE OUTSIDE OF THE STRUCTURE.

Rim: 574.29' Rim to Invert: 5.68' Slack: 0.16" Sump: 85" Step Position:

Position	Elev	Angle	Ext. (cw)	Pipe	Pipe OD	Connector	Hole	Horz Size	Up ()	Offset
Invert 1	568.61'	180°	91.125"	24" ADS N-12	28"	Hole 32	32"	35.027"	4.75"	0"
Invert 2	568.71'	11°	5.625"	24" ADS N-12	28"	Hole 32	32"	35.027"	6"	0"
Invert 3										
Invert 4										
Invert 5										
Invert 6										
Invert 7										
Invert 8										

RIGHT-SIDE UP VIEW (int. dimensions)



Coating (Int): Coating (Ext):	Seam Up: Tongue Seam Dn: Groove	Wall Thickness: 5" Floor Height: 0"	Height (Int): 62" Height (Ext): 62"	Weight (Net): 3604 lb Volume (Net): 0.92cu.yd
----------------------------------	------------------------------------	--	--	--