

Structure ID: S4-123

P1 MH048BA72

MH BASE T/n

| | | |
|--|--|---|
| P4) 24" - CASTING HEIGHT - 7" P3) 48" - MH FLAT LID w/24" Center Hole F/G - 12" P2) 48" - MH RISER Custom Ht T/G - 62" P1) 48" - MH BASE T/n - 72" 1) PSASSEMBLY 1) CASTING - HOE MC-375 F/C Storm 2) 48" - Conseal CS-102 1.00" 2) Hole - 32 | 0 lb 1580 lb 3604 lb 6360 lb 0 lb 271 lb 0 lb 0 lb ----- 11815 lb | Structure Notes: 1. JR HOE MC-375 STORM PROVIDED BY ICAST. 2. PER ASTM C478 SPECIFICATIONS. 3. CONCRETE = 4,000 PSI AT 28 DAYS. 4. REINFORCING PER ASTM A615 (GRADE 60). - TOP SLAB (As .62) #5 BARS AT 6" C.C.E.W.. - RISER/WALLS (As .12) - FLOOR (As .31) #5 BARS AT 12" C.C.E.W. 5. LIFTING HOOKS TO BE INSTALLED ON THE OUTSIDE OF THE STRUCTURE. |
|--|--|---|

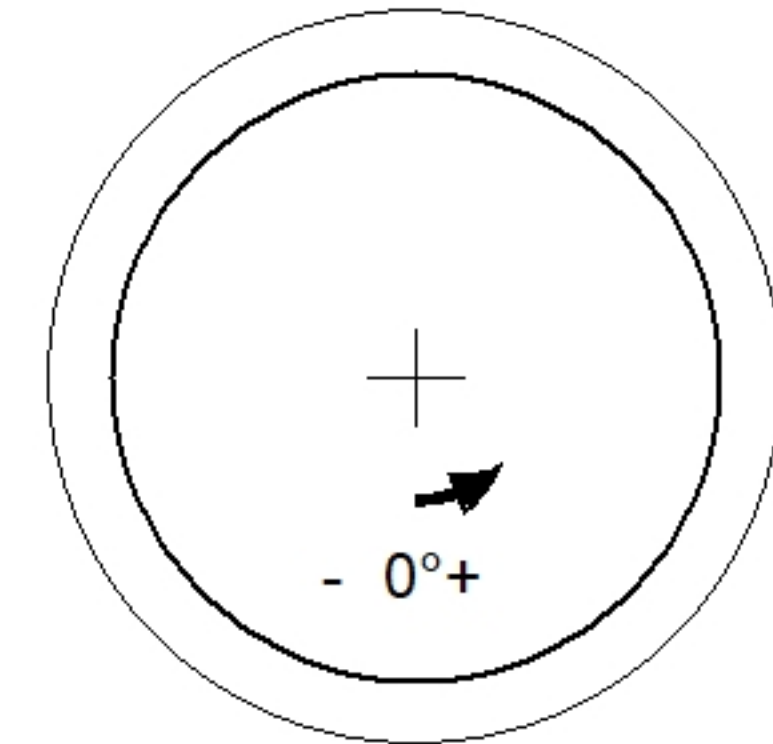
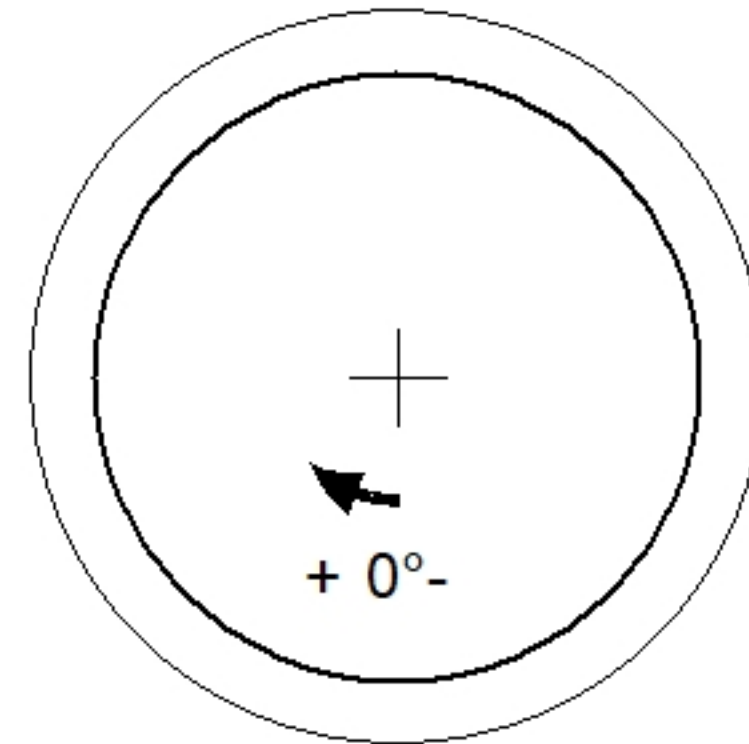
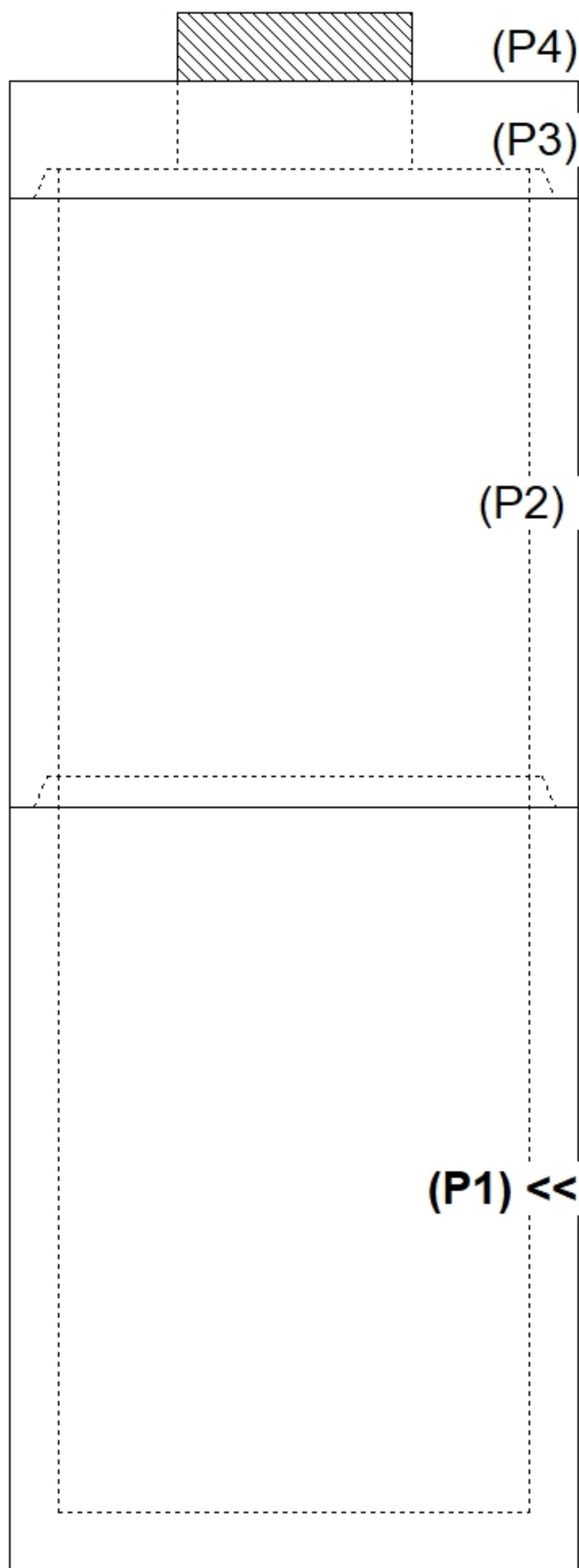
Structure Total: 11815 lb

Rim: 574.29' Rim to Invert: 5.68' Slack: 0.16" Sump: 85" Step Position:

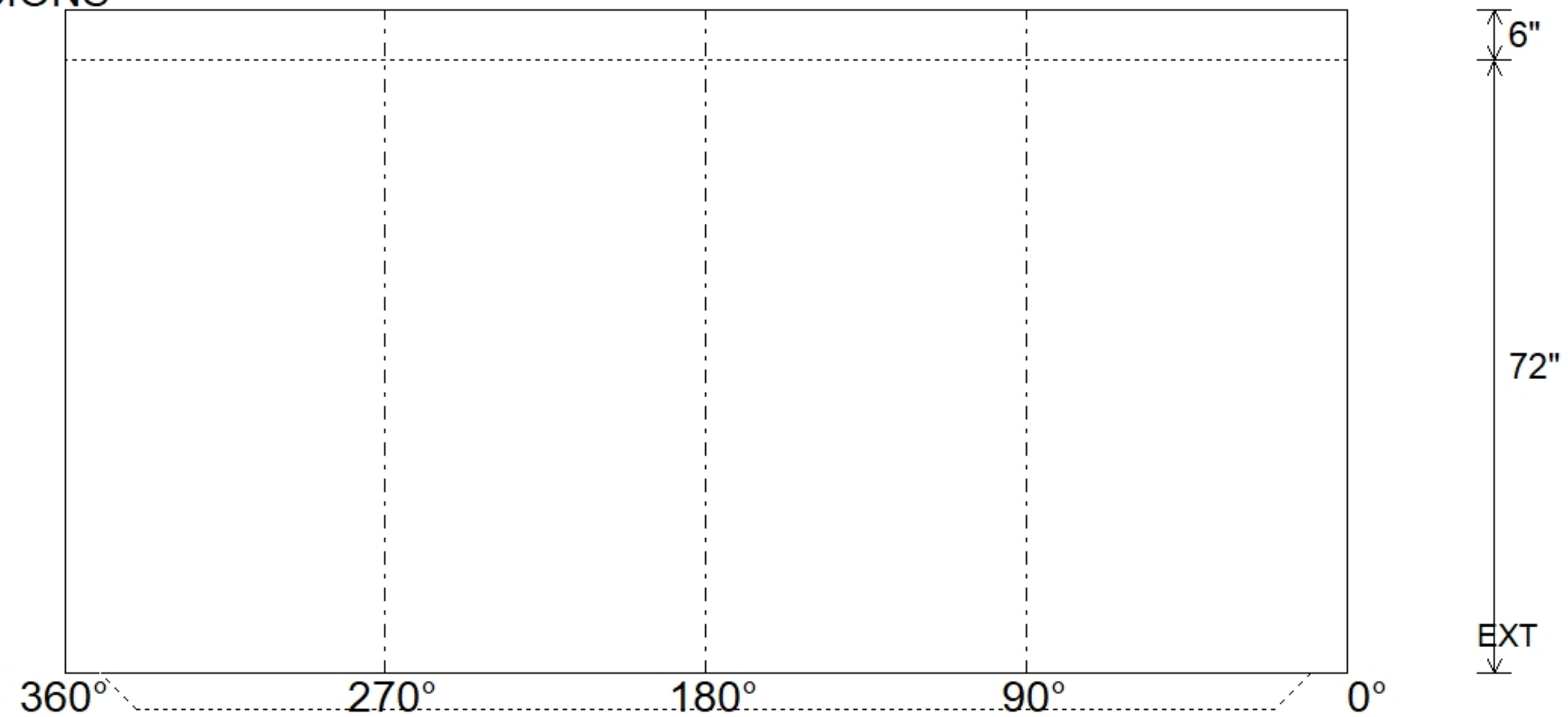
| Position | Elev | Angle | Ext. (cw) | Pipe | Pipe OD | Connector | Hole | Horz Size | Up (L) | Offset |
|----------|------|-------|-----------|------|---------|-----------|------|-----------|--------|--------|
| Invert 1 | | | | | | | | | | |
| Invert 2 | | | | | | | | | | |
| Invert 3 | | | | | | | | | | |
| Invert 4 | | | | | | | | | | |
| Invert 5 | | | | | | | | | | |
| Invert 6 | | | | | | | | | | |
| Invert 7 | | | | | | | | | | |
| Invert 8 | | | | | | | | | | |

RIGHT-SIDE UP VIEW (int. dimensions)

UPSIDE-DOWN VIEW (int. dimensions)



INSIDE WALL DIMENSIONS



| | | | |
|----------------|-----------------|-------------------------|-------------------|
| Coating (Int): | Seam Up: Tongue | Wall Thickness: 5" | Height (Int): 72" |
| Coating (Ext): | Seam Dn: n/a | Floor Height: 6" | Height (Ext): 78" |
| | | Weight (Net): 6360 lb | |
| | | Volume (Net): 1.62cu.yd | |