

Job Name: 25-3505 KYTC Multi Co Call 200 (251117)

Job Location:

Contractor: Jim Smith Contracting Co, LLC

PC: Jay Ross Jarvis

TECH: J. Coppage - A

Plant: 100



Structure ID: 2021 87

Spec: KYTC

Type: Junction Box

Size: 32" x 32"

Rim: 451.67'

Invert: 448.3'

Rim to Invert: 3.37'

Sump: 0"

Floor (Top): 448.3'

Floor Height: 8"

Floor (Bot): 447.633'

Overall Height: 4'

Slack: 0.44"

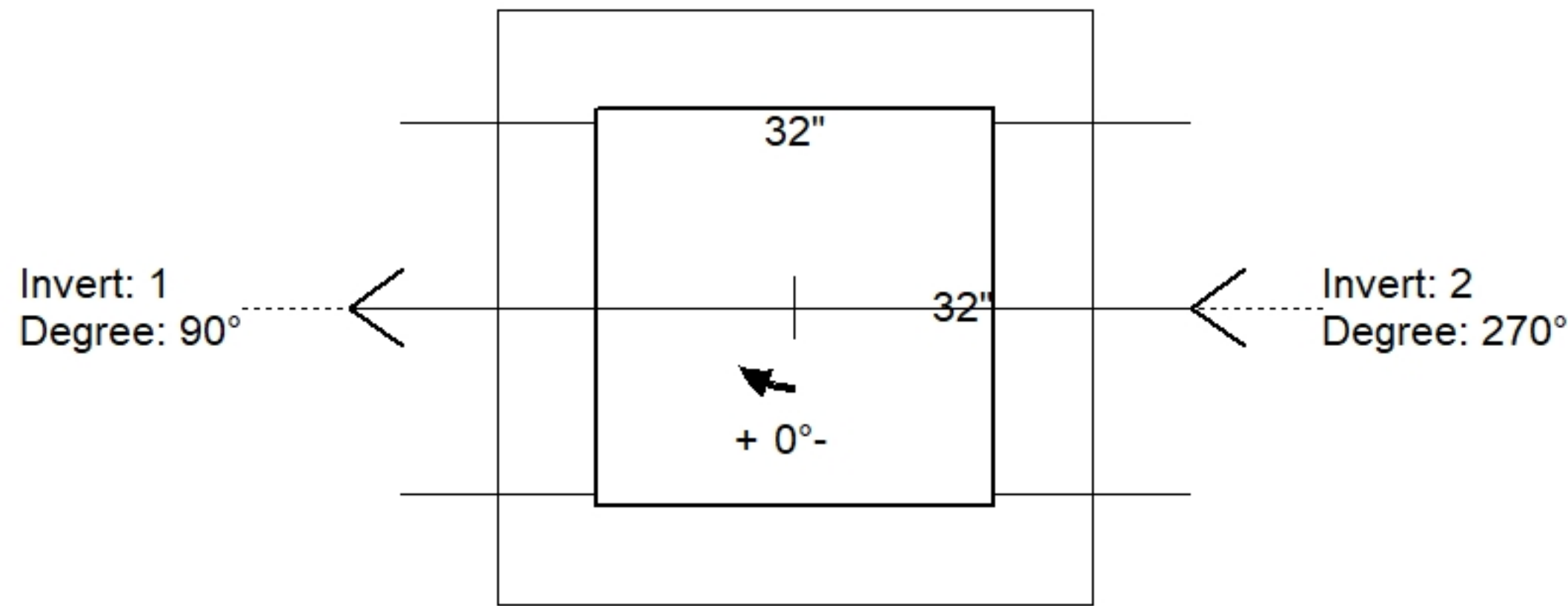
Structure Notes:

***KYTC STATE PROJECT**

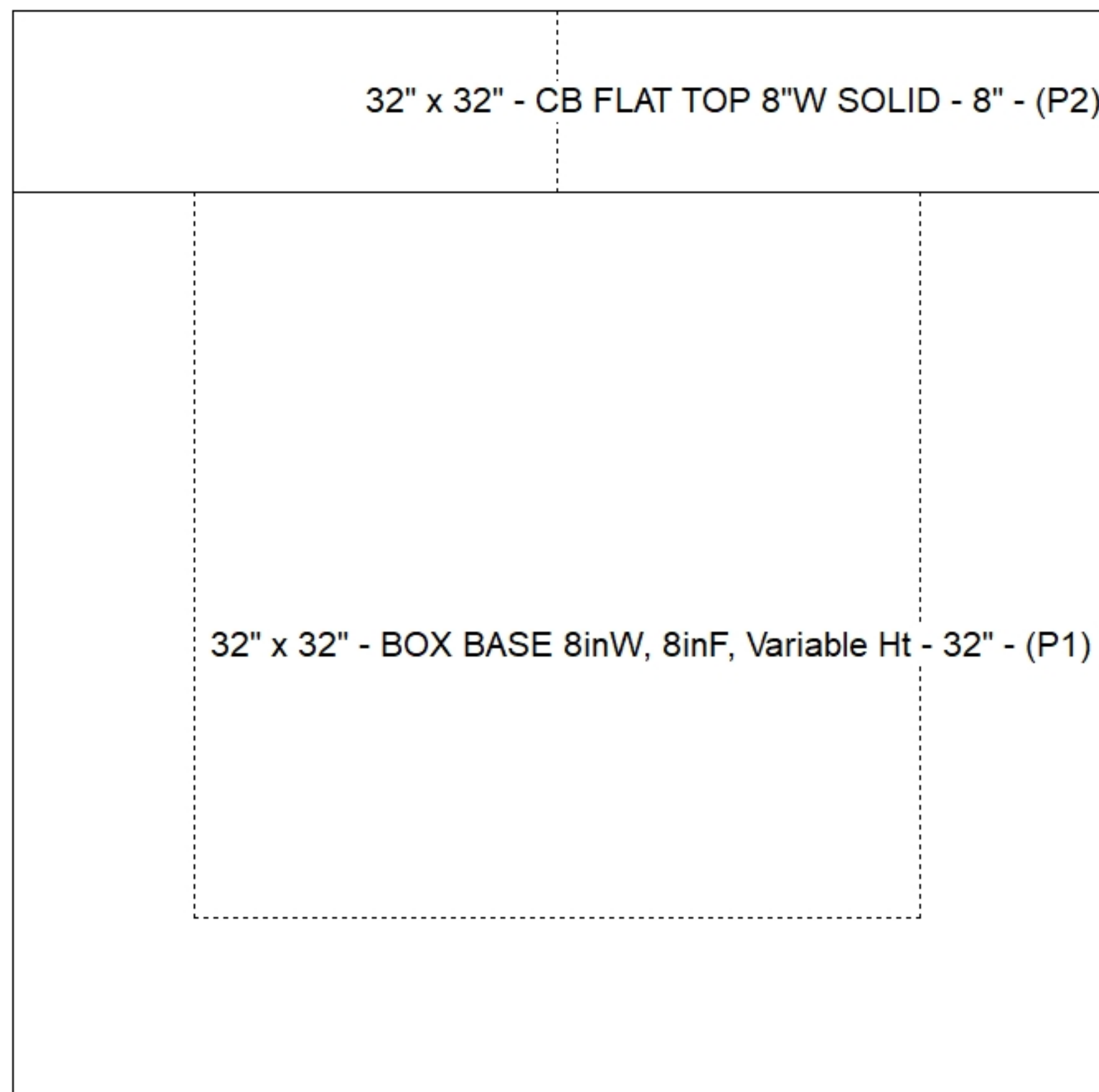
1. SOLID TOP SLAB - NO CASTING.
2. KYTC JUNCTION BOX / PER ASTM C913 SPEC'S.
3. CONCRETE = 4,000 PSI AT 28 DAYS.
4. REINFORCING PER ASTM A615 (GRADE 60).
 - TOP SLAB (As .62) #5 BARS AT 6" C.C.E.W.
 - WALLS (As .31) #5 BARS AT 12" C.C.E.W.
 - FLOOR (As .31) #5 BARS AT 12" C.C.E.W.

STRUCTURE SUMMARY:

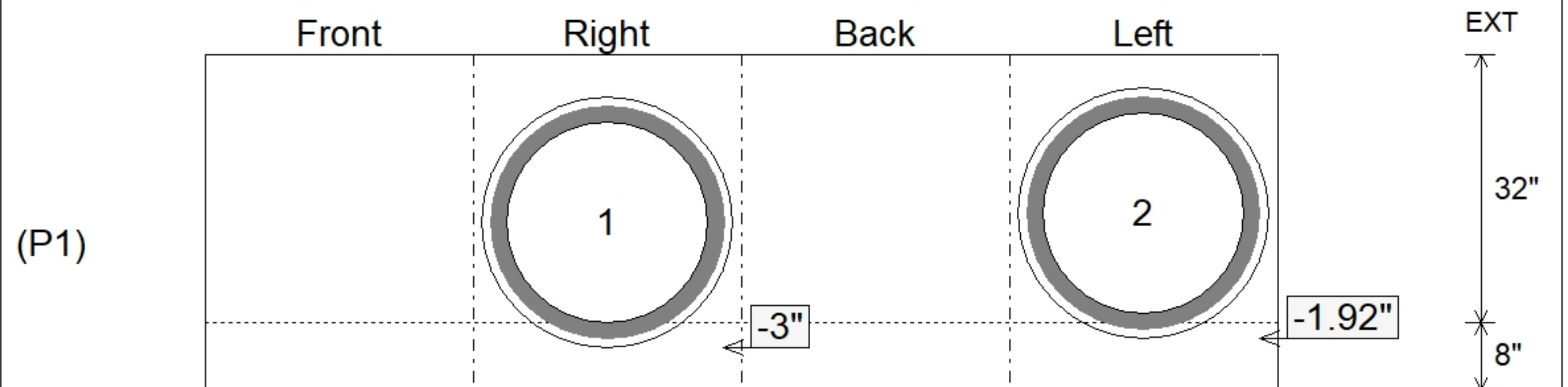
P2) 32" x 32" - CB FLAT TOP 8"W SOLID - 8"	1547 lb
P1) 32" x 32" - BOX BASE 8inW, 8inF, Variable Ht - 32"	4035 lb
1) 32" x 32" - Conseal CS-102 1.00"	0 lb
2) Hole - 30	0 lb
Structure Total:	5581 lb



Position	Elev	Angle	Pipe	Pipe OD	Hole	Connector	Up (L)	Ref
Rim	451.67'							
Reducer								
Invert 1	448.3'	90°	24" HDPE	27.8"	30"	Hole 30	-3"	P1
Invert 2	448.39'	270°	24" HDPE	27.8"	30"	Hole 30	-1.92"	P1
Invert 3								
Invert 4								
Invert 5								
Invert 6								
Invert 7								
Invert 8								



Default - Interior Dimensions



Submittal Drawing
3/26/2026 8:40:07 AM

SUBMITTAL
APPROVED BY: