

Job Name: 25-3505 KYTC Multi Co Call 200 (251117)
 Job Location:
 Contractor: Jim Smith Contracting Co, LLC

Plant: 100
 3/25/2026 8:52:24 AM

Tech: J. Coppage - A
 PC: Jay Ross Jarvis



Structure ID: 2021 87

P1 BX3232-08BAVF

BOX BASE 8inW, 8inF, Variable Ht

- P2) 32" x 32" - CB FLAT TOP 8"W SOLID - 8"
- P1) 32" x 32" - BOX BASE 8inW, 8inF, Variable Ht - 32"
- 1) 32" x 32" - Conseal CS-102 1.00"
- 2) Hole - 30

1547 lb
 4035 lb
 0 lb
 0 lb

 Structure Total: 5581 lb

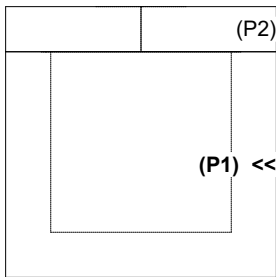
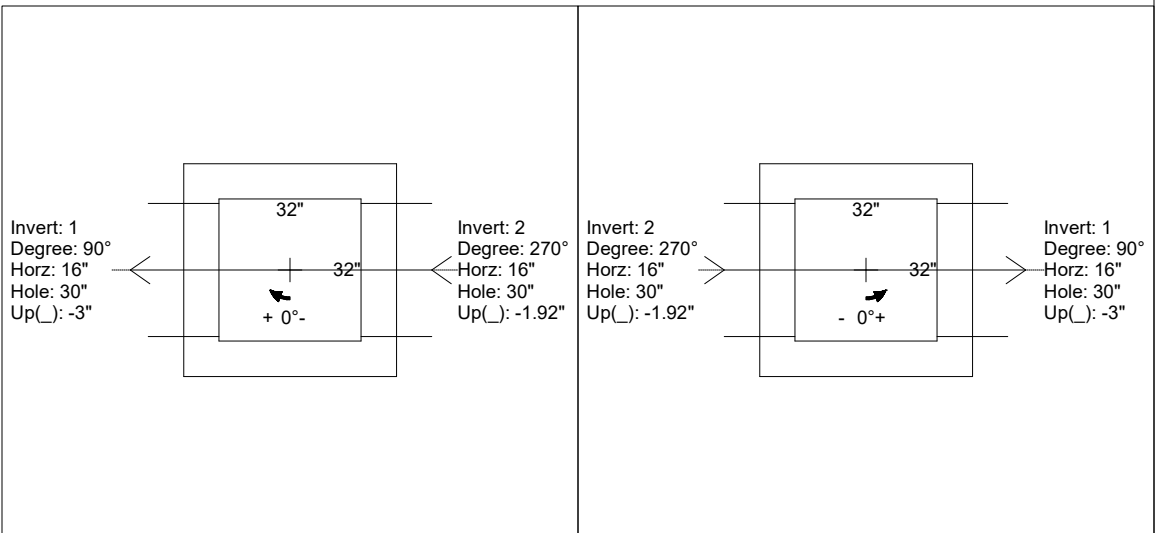
- Structure Notes:
 ***KYTC STATE PROJECT**
1. SOLID TOP SLAB - NO CASTING.
 2. KYTC JUNCTION BOX / PER ASTM C913 SPEC'S.
 3. CONCRETE = 4,000 PSI AT 28 DAYS.
 4. REINFORCING PER ASTM A615 (GRADE 60).
 - TOP SLAB (As .62) #5 BARS AT 6" C.C.E.W.
 - WALLS (As .31) #5 BARS AT 12" C.C.E.W.
 - FLOOR (As .31) #5 BARS AT 12: C.C.E.W.

Rim: 451.67' Rim to Invert: 3.37' Slack: 0.44" Sump: 0" Step Position:

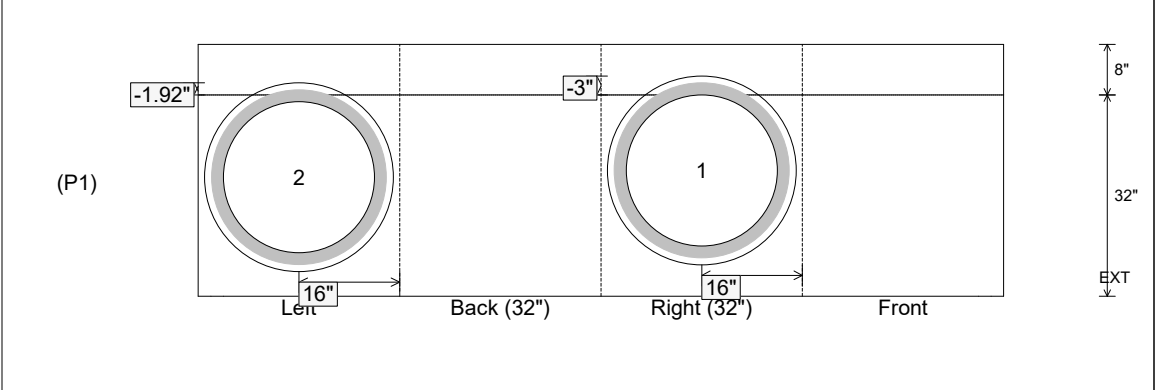
Position	Elev	Angle	Ext. (cw)	Pipe	Pipe OD	Connector	Hole	Horz Size	Up ()	Offset
Invert 1	448.3'	90°	24"	24" HDPE	27.8"	Hole 30	30"	30"	-3"	0"
Invert 2	448.39'	270°	24"	24" HDPE	27.8"	Hole 30	30"	30"	-1.92"	0"
Invert 3										
Invert 4										
Invert 5										
Invert 6										
Invert 7										
Invert 8										

RIGHT-SIDE UP VIEW (int. dimensions)

UPSIDE-DOWN VIEW (int. dimensions)



INSIDE WALL DIMENSIONS



Coating (Int): Coating (Ext):	Seam Up: Flat Seam Dn: n/a	Wall Thickness: 8" Floor Height: 8"	Height (Int): 32" Height (Ext): 40"	Weight (Net): 4035 lb Volume (Net): 1.03cu.yd
----------------------------------	-------------------------------	--	--	--