

Job Name: 25-3505 KYTC Multi Co Call 200 (251117)

Job Location:

Contractor: Jim Smith Contracting Co, LLC

PC: Jay Ross Jarvis

TECH: J. Coppage - A

Plant: 100



Structure ID: 1644 00

Spec: KYTC

Type: Junction Box B2

Size: 24" x 24"

Rim: 389.92'

Invert: 385.6'

Rim to Invert: 4.32'

Sump: 0"

Floor (Top): 385.6'

Floor Height: 8"

Floor (Bot): 384.933'

Overall Height: 4.917'

Slack: 0.84"

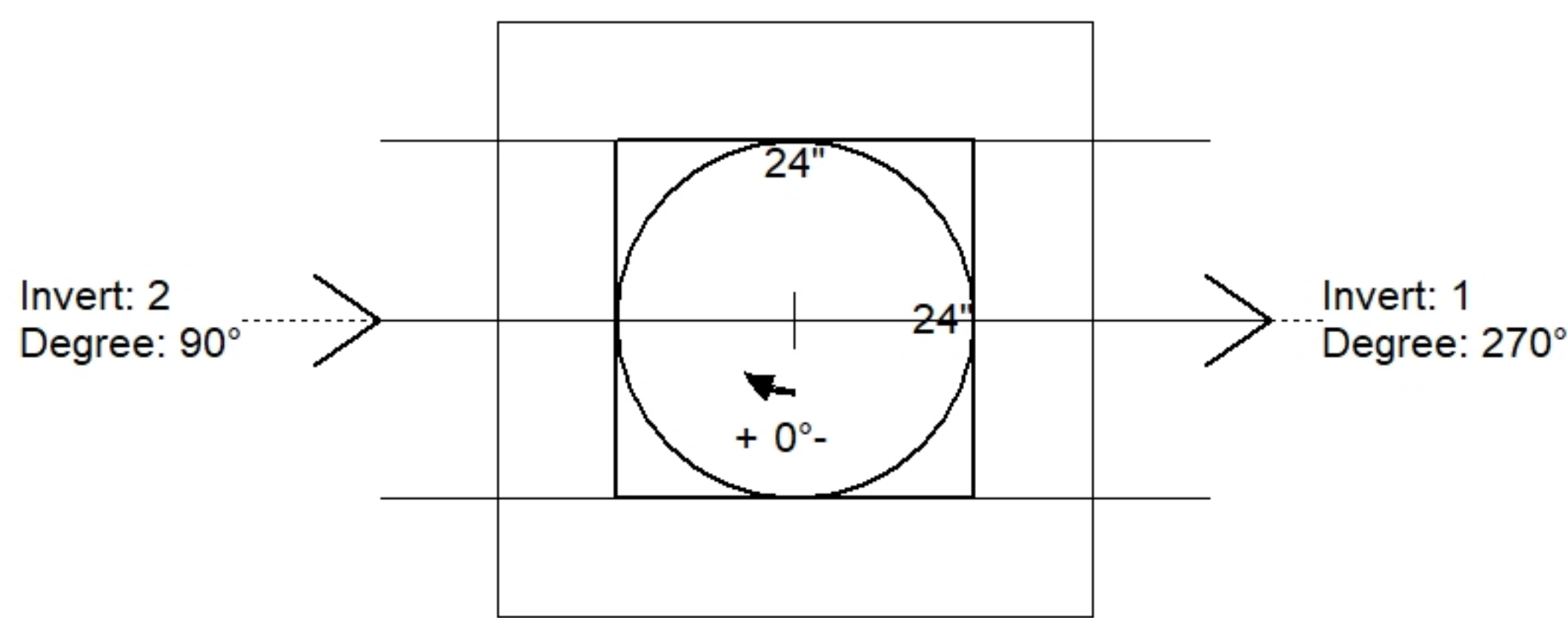
Structure Notes:

***KYTC STATE PROJECT**

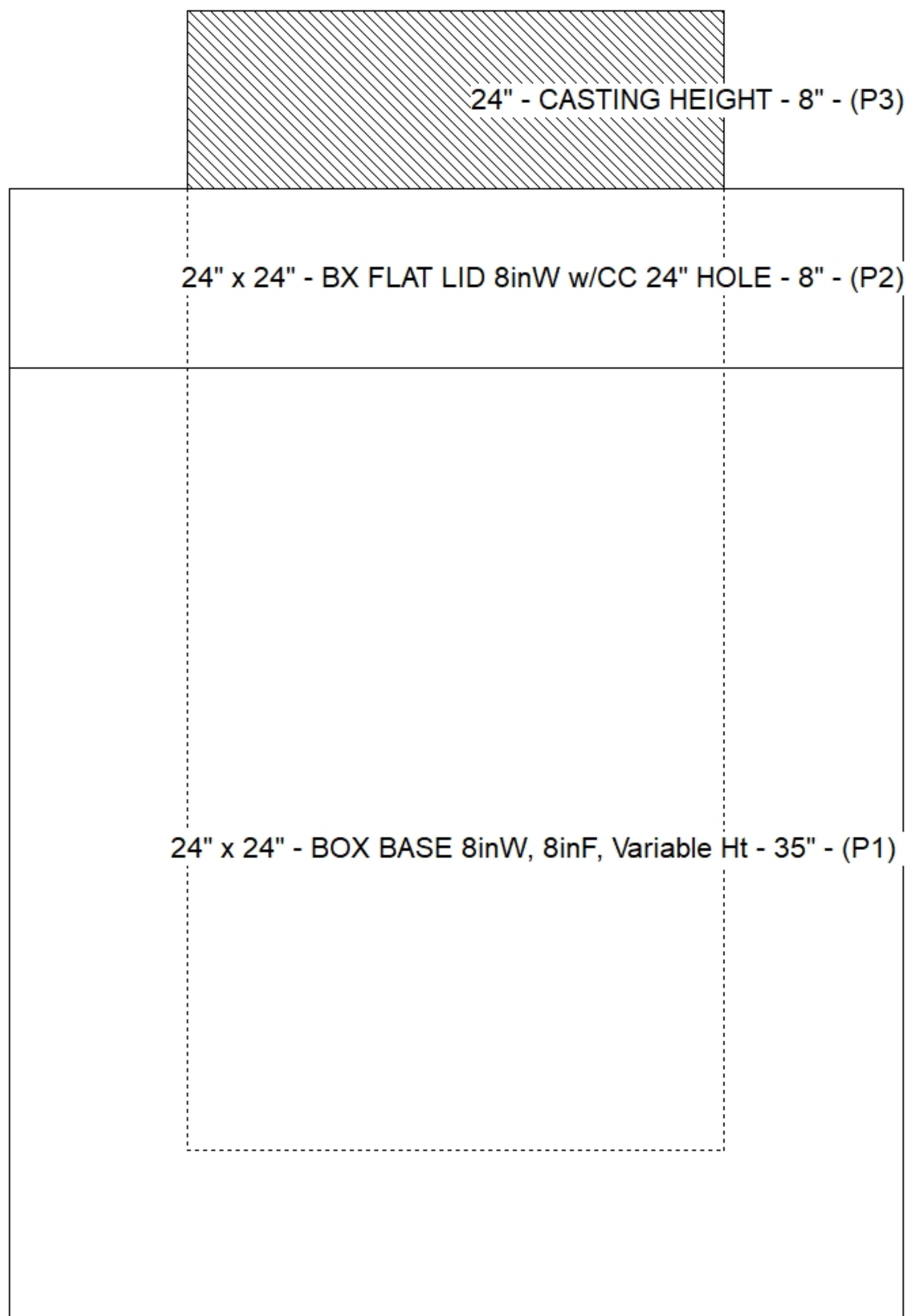
1. HOE KY-510 F/C (KY TY.2) PROVIDED BY ICAST.
2. KYTC JUNCTION BOX B1 / PER ASTM C913 SPEC'S.
3. CONCRETE = 4,000 PSI AT 28 DAYS.
4. TOP SLAB w 24" HOLE FOR KYTC TYPE 2 F/C.
5. REINFORCING PER ASTM A615 (GRADE 60).
 - TOP SLAB (As .62) #5 BARS AT 6" C.C.E.W.
 - WALLS (As .31) #5 BARS AT 12" C.C.E.W.
 - FLOOR (As .31) #5 BARS AT 12" C.C.E.W.

STRUCTURE SUMMARY:

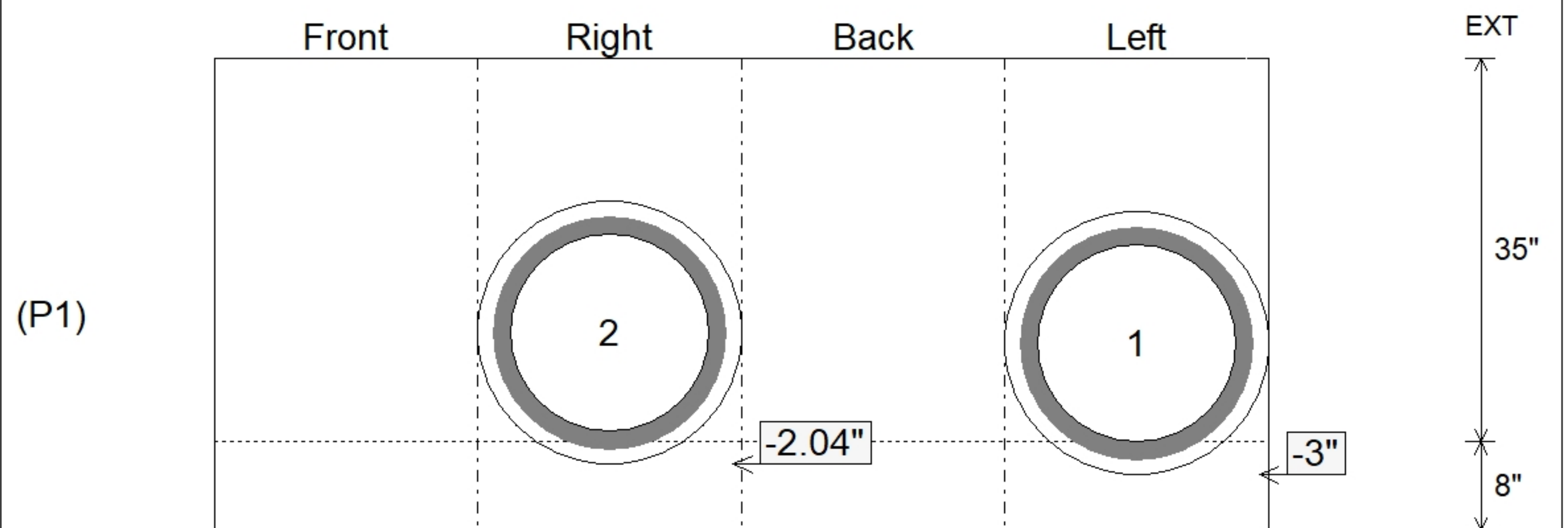
P3) 24" - CASTING HEIGHT - 8"	0 lb
P2) 24" x 24" - BX FLAT LID 8inW w/CC 24" HOLE - 8"	770 lb
P1) 24" x 24" - BOX BASE 8inW, 8inF, Variable Ht - 35"	3626 lb
1) CASTING - HOE KY-510 F/C (KY TY.2)	510 lb
1) 24" x 24" - Conseal CS-102 1.00"	0 lb
2) Hole - 24"	0 lb
Structure Total:	4906 lb



Position	Elev	Angle	Pipe	Pipe OD	Hole	Connector	Up ()	Ref
Rim	389.92'							
Reducer								
Invert 1	385.6'	270°	18" HDPE	21.2"	24"	Hole 24	-3"	P1
Invert 2	385.68'	90°	18" HDPE	21.2"	24"	Hole 24	-2.04"	P1
Invert 3								
Invert 4								
Invert 5								
Invert 6								
Invert 7								
Invert 8								



Default - Interior Dimensions



Submittal Drawing
3/26/2026 8:40:08 AM

SUBMITTAL
APPROVED BY: