

**Job Name: 25-3505 KYTC Multi Co Call 200 (251117)**

**Job Location:**

**Contractor: Jim Smith Contracting Co, LLC**

PC: Jay Ross Jarvis

TECH: J. Coppage - A

Plant: 100



Structure ID: 1642 00

Spec: KYTC

Type: Junction Box

Size: 24" x 24"

Rim: 389.5'

Invert: 386.67'

Rim to Invert: 2.83'

Sump: 0.04"

Floor (Top): 386.667'

Floor Height: 8"

Floor (Bot): 386'

Overall Height: 3.5'

Slack: 0"

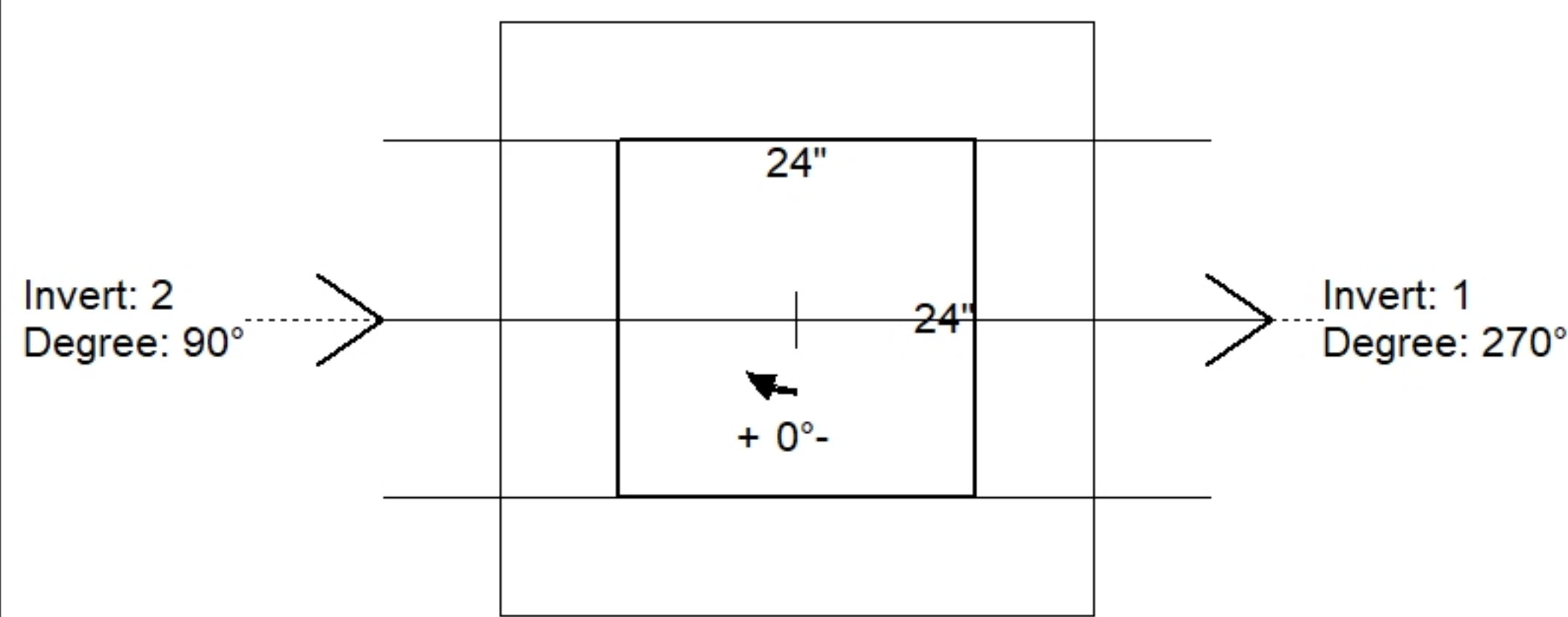
Structure Notes:

\*\*\*KYTC STATE PROJECT\*\*

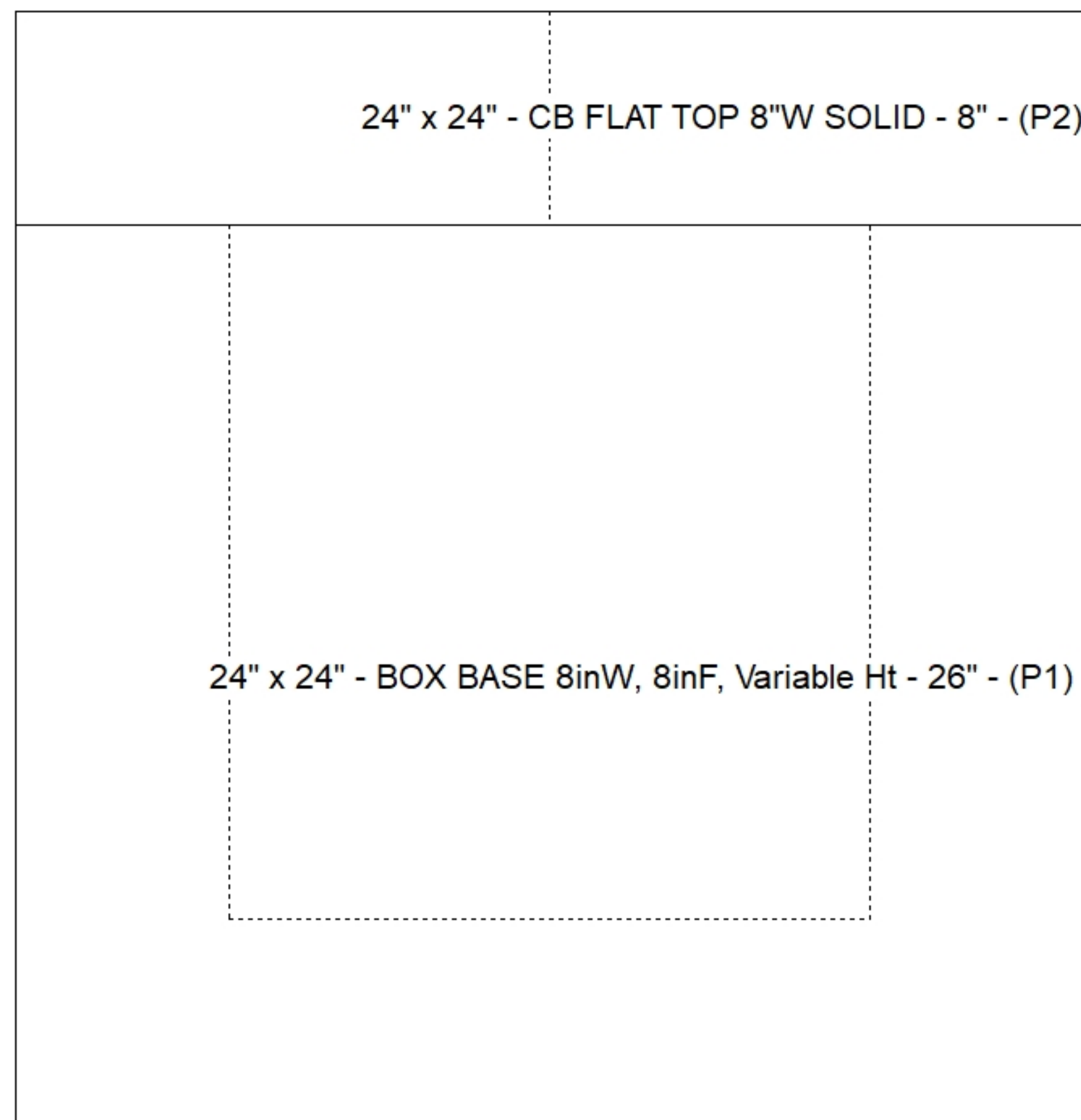
1. SOLID TOP SLAB - NO CASTING.
2. KYTC JUNCTION BOX / PER ASTM C913 SPEC'S.
3. CONCRETE = 4,000 PSI AT 28 DAYS.
4. REINFORCING PER ASTM A615 (GRADE 60).
  - TOP SLAB (As .62) #5 BARS AT 6" C.C.E.W.
  - WALLS (As .31) #5 BARS AT 12" C.C.E.W.
  - FLOOR (As .31) #5 BARS AT 12" C.C.E.W.

STRUCTURE SUMMARY:

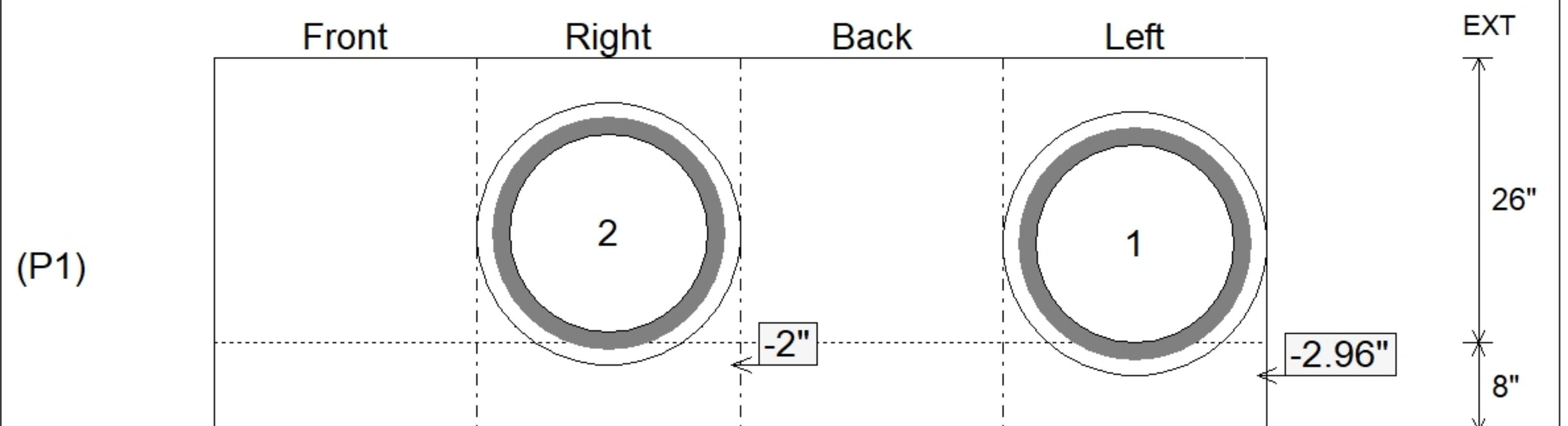
P2) 24" x 24" - CB FLAT TOP 8"W SOLID - 8"	1074 lb
P1) 24" x 24" - BOX BASE 8inW, 8inF, Variable Ht - 26"	2853 lb
1) 24" x 24" - Con Seal CS-102 1.00"	0 lb
2) Hole - 24	0 lb
	-----
Structure Total:	3927 lb



Position	Elev	Angle	Pipe	Pipe OD	Hole	Connector	Up (")	Ref
Rim	389.5'							
Reducer								
Invert 1	386.67'	270°	18" HDPE	21.2"	24"	Hole 24	-2.96"	P1
Invert 2	386.75'	90°	18" HDPE	21.2"	24"	Hole 24	-2"	P1
Invert 3								
Invert 4								
Invert 5								
Invert 6								
Invert 7								
Invert 8								



**Default - Interior Dimensions**



Submittal Drawing  
3/26/2026 8:40:07 AM

SUBMITTAL  
APPROVED BY: