

Job Name: 25-3505 KYTC Multi Co Call 200 (251117)
 Job Location:
 Contractor: Jim Smith Contracting Co, LLC

Plant: 100
 3/25/2026 8:52:26 AM

Tech: J. Coppage - A
 PC: Jay Ross Jarvis



Structure ID: 1642 00

P1 BX2424-08BAVF

BOX BASE 8inW, 8inF, Variable Ht

P2) 24" x 24" - CB FLAT TOP 8"W SOLID - 8"
 P1) 24" x 24" - BOX BASE 8inW, 8inF, Variable Ht - 26"
 1) 24" x 24" - Conseal CS-102 1.00"
 2) Hole - 24"

1074 lb
 2853 lb
 0 lb
 0 lb

 Structure Total: 3927 lb

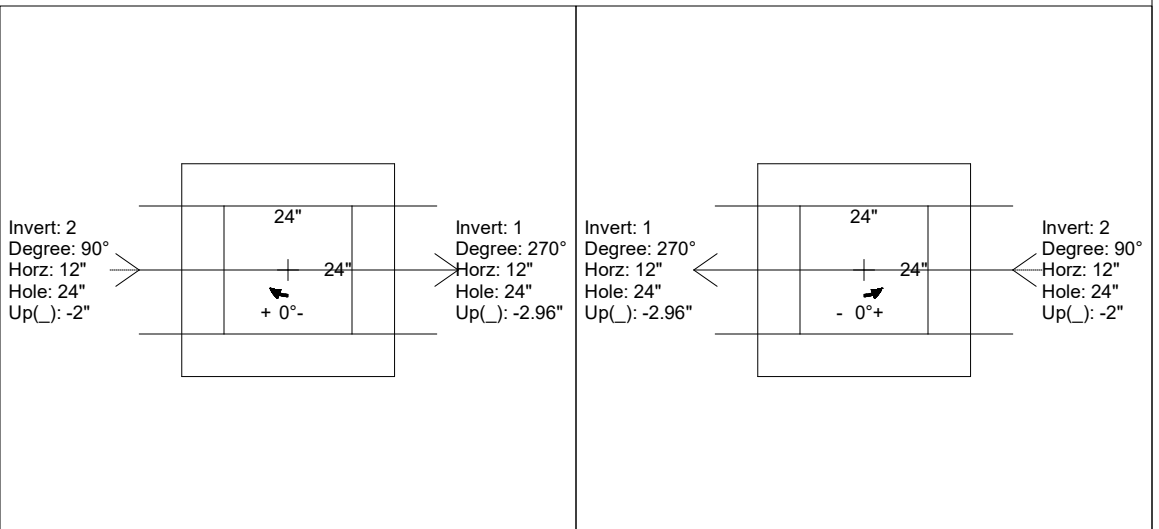
Structure Notes:
 ***KYTC STATE PROJECT**
 1. SOLID TOP SLAB - NO CASTING.
 2. KYTC JUNCTION BOX / PER ASTM C913 SPEC'S.
 3. CONCRETE = 4,000 PSI AT 28 DAYS.
 4. REINFORCING PER ASTM A615 (GRADE 60).
 - TOP SLAB (As .62) #5 BARS AT 6" C.C.E.W.
 - WALLS (As .31) #5 BARS AT 12" C.C.E.W.
 - FLOOR (As .31) #5 BARS AT 12" C.C.E.W.

Rim: 389.5' Rim to Invert: 2.83' Slack: 0" Sump: 0.04" Step Position:

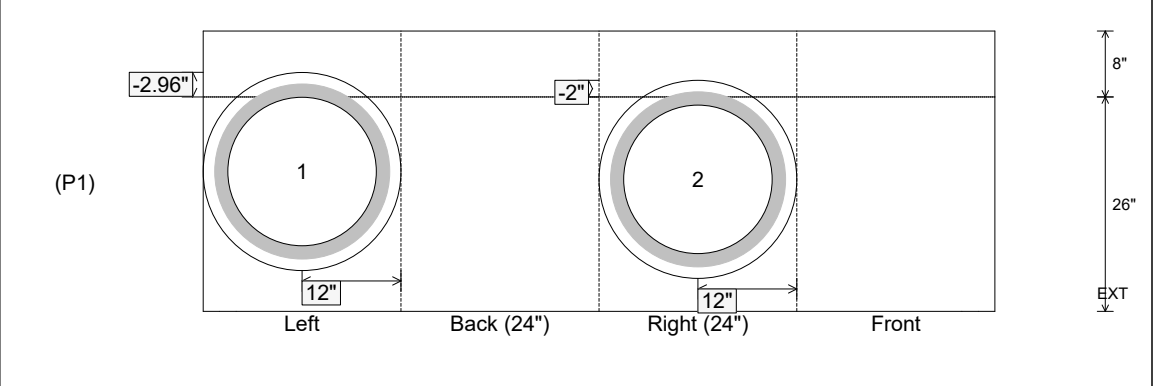
Position	Elev	Angle	Ext. (cw)	Pipe	Pipe OD	Connector	Hole	Horz Size	Up ()	Offset
Invert 1	386.67'	270°	20"	18" HDPE	21.2"	Hole 24	24"	24"	-2.96"	0"
Invert 2	386.75'	90°	20"	18" HDPE	21.2"	Hole 24	24"	24"	-2"	0"
Invert 3										
Invert 4										
Invert 5										
Invert 6										
Invert 7										
Invert 8										

RIGHT-SIDE UP VIEW (int. dimensions)

UPSIDE-DOWN VIEW (int. dimenions)



INSIDE WALL DIMENSIONS



Coating (Int): Coating (Ext):	Seam Up: Flat Seam Dn: n/a	Wall Thickness: 8" Floor Height: 8"	Height (Int): 26" Height (Ext): 34"	Weight (Net): 2853 lb Volume (Net): 0.73cu.yd
----------------------------------	-------------------------------	--	--	--