

Job Name: 25-3505 KYTC Multi Co Call 200 (251117)

Job Location:

Contractor: Jim Smith Contracting Co, LLC

PC: Jay Ross Jarvis

TECH: J. Coppage - A

Plant: 100



Structure ID: 1556 59

Spec: KYTC

Type: Junction Box

Size: 36" x 36"

Rim: 491.75'

Invert: 487.82'

Rim to Invert: 3.93'

Sump: 0"

Floor (Top): 487.82'

Floor Height: 8"

Floor (Bot): 487.153'

Overall Height: 4.583'

Slack: 0.16"

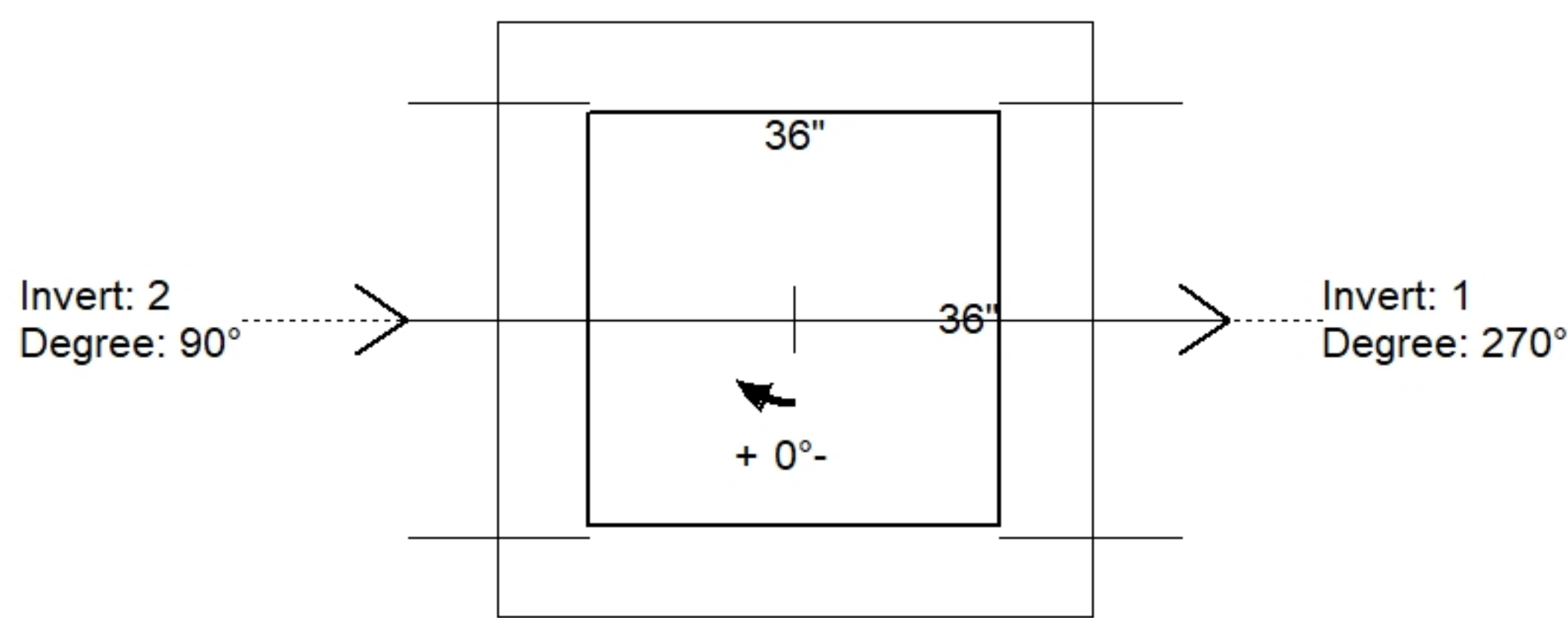
Structure Notes:

***KYTC STATE PROJECT**

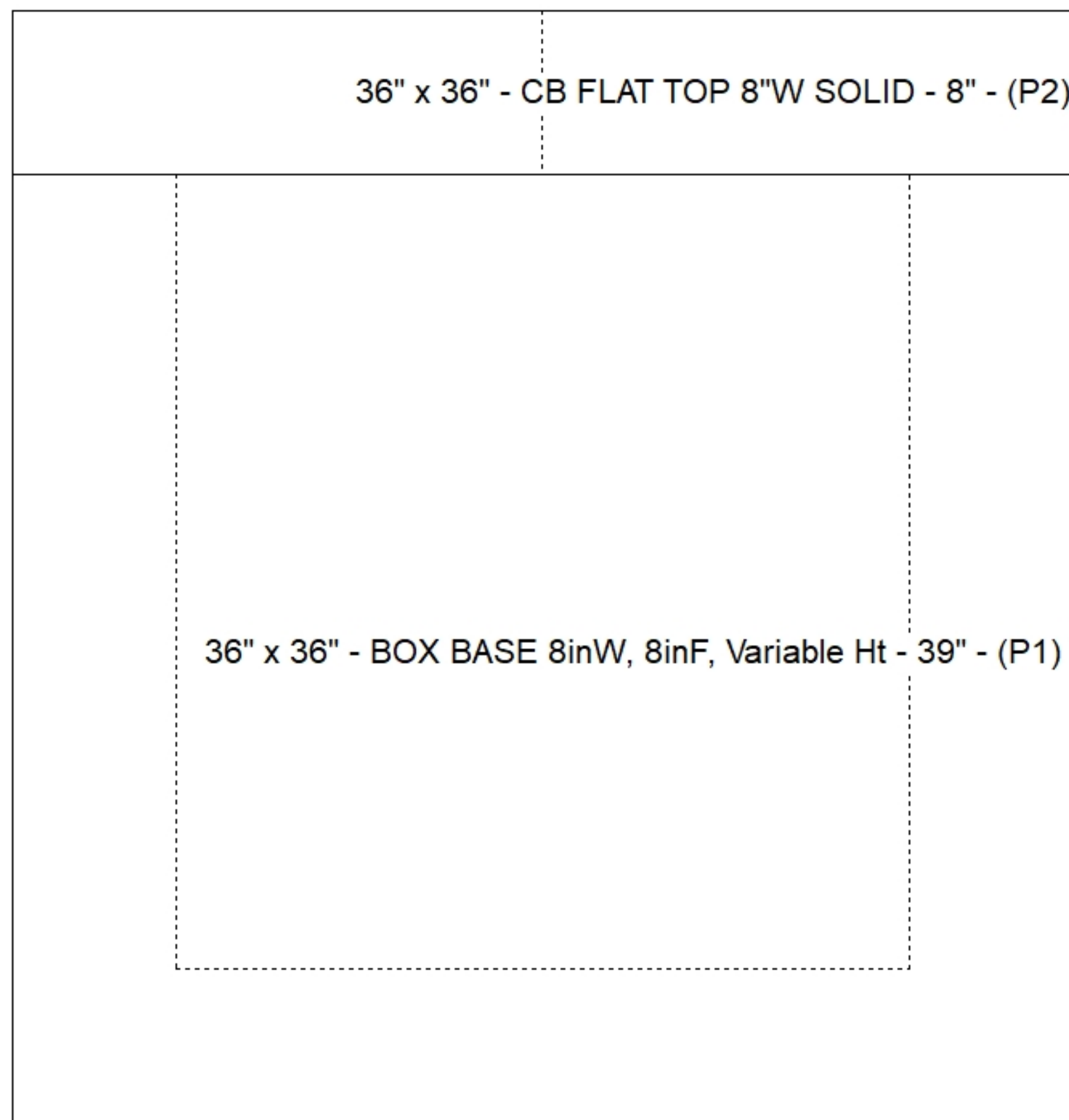
1. SOLID TOP SLAB - NO CASTING.
2. KYTC JUNCTION BOX / PER ASTM C913 SPEC'S.
3. CONCRETE = 4,000 PSI AT 28 DAYS.
4. REINFORCING PER ASTM A615 (GRADE 60).
 - TOP SLAB (As .62) #5 BARS AT 6" C.C.E.W.
 - WALLS (As .31) #5 BARS AT 12" C.C.E.W.
 - FLOOR (As .31) #5 BARS AT 12" C.C.E.W.

STRUCTURE SUMMARY:

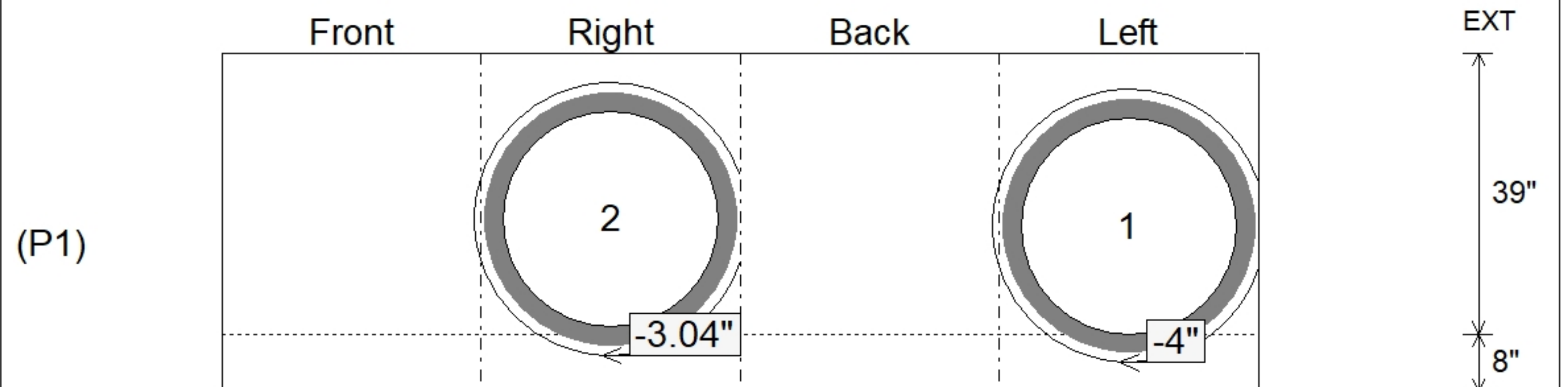
P2) 36" x 36" - CB FLAT TOP 8"W SOLID - 8"	1815 lb
P1) 36" x 36" - BOX BASE 8inW, 8inF, Variable Ht - 39"	5281 lb
1) 36" x 36" - Con Seal CS-102 1.00"	0 lb
2) Hole - 38	0 lb
Structure Total:	7096 lb



Position	Elev	Angle	Pipe	Pipe OD	Hole	Connector	Up (")	Ref
Rim	491.75'							
Reducer								
Invert 1	487.82'	270°	30" HDPE	35.1"	38"	Hole 38	-4"	P1
Invert 2	487.9'	90°	30" HDPE	35.1"	38"	Hole 38	-3.04"	P1
Invert 3								
Invert 4								
Invert 5								
Invert 6								
Invert 7								
Invert 8								



Default - Interior Dimensions



Submittal Drawing
3/26/2026 8:40:06 AM

SUBMITTAL
APPROVED BY: