

Job Name: 25-3505 KYTC Multi Co Call 200 (251117)

Job Location:

Contractor: Jim Smith Contracting Co, LLC

PC: Jay Ross Jarvis

TECH: J. Coppage - A

Plant: 100



Structure ID: 1469 58

Spec: KYTC

Type: Junction Box

Size: 24" x 24"

Rim: 490.92'

Invert: 488.05'

Rim to Invert: 2.87'

Sump: 0"

Floor (Top): 488.05'

Floor Height: 8"

Floor (Bot): 487.383'

Overall Height: 3.5'

Slack: 0.44"

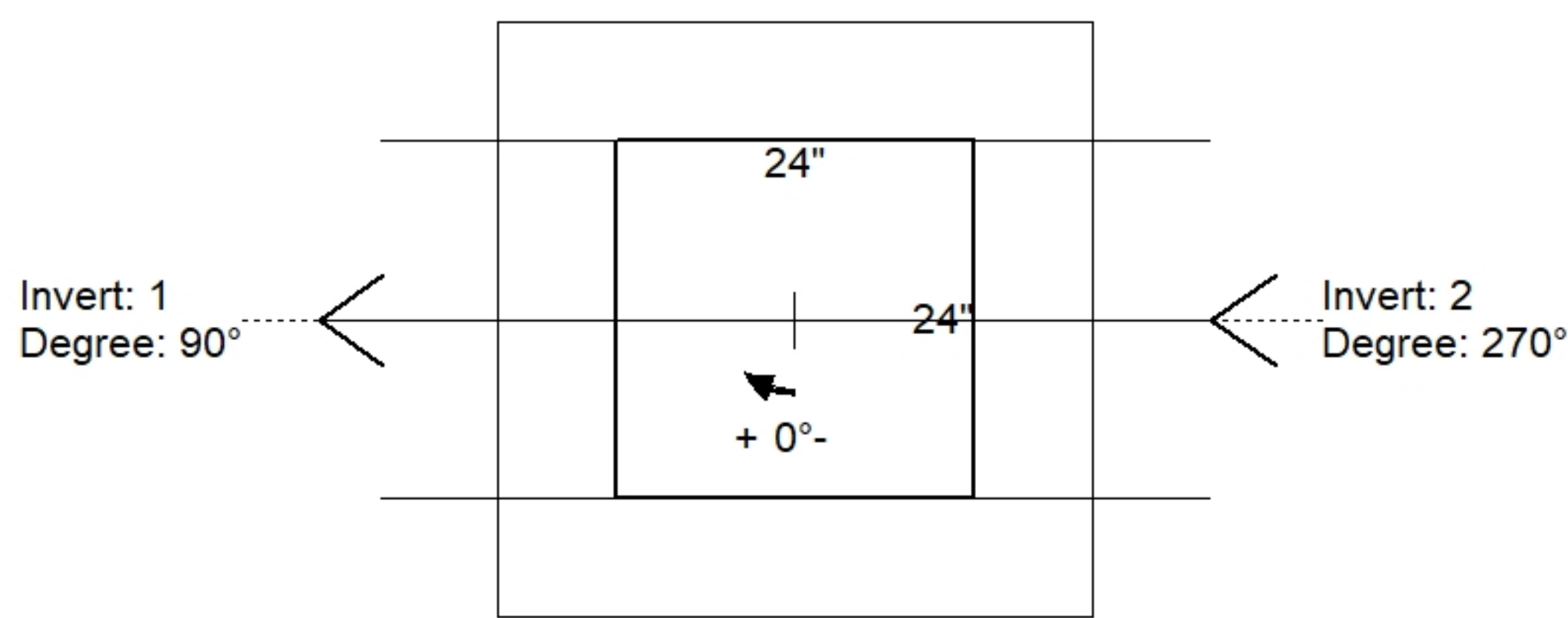
Structure Notes:

***KYTC STATE PROJECT**

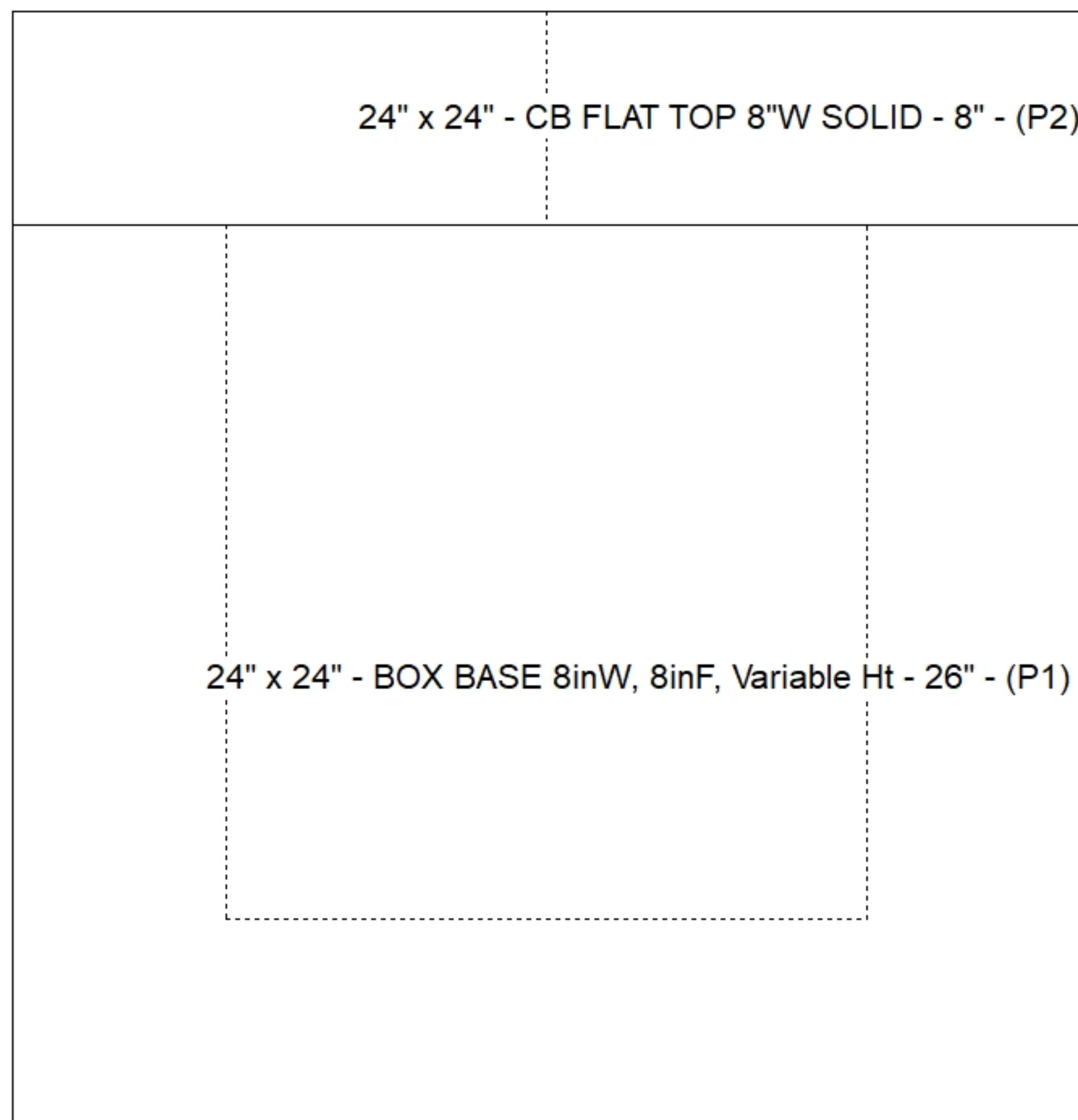
1. SOLID TOP SLAB - NO CASTING.
2. KYTC JUNCTION BOX / PER ASTM C913 SPEC'S.
3. CONCRETE = 4,000 PSI AT 28 DAYS.
4. REINFORCING PER ASTM A615 (GRADE 60).
 - TOP SLAB (As .62) #5 BARS AT 6" C.C.E.W.
 - WALLS (As .31) #5 BARS AT 12" C.C.E.W.
 - FLOOR (As .31) #5 BARS AT 12" C.C.E.W.

STRUCTURE SUMMARY:

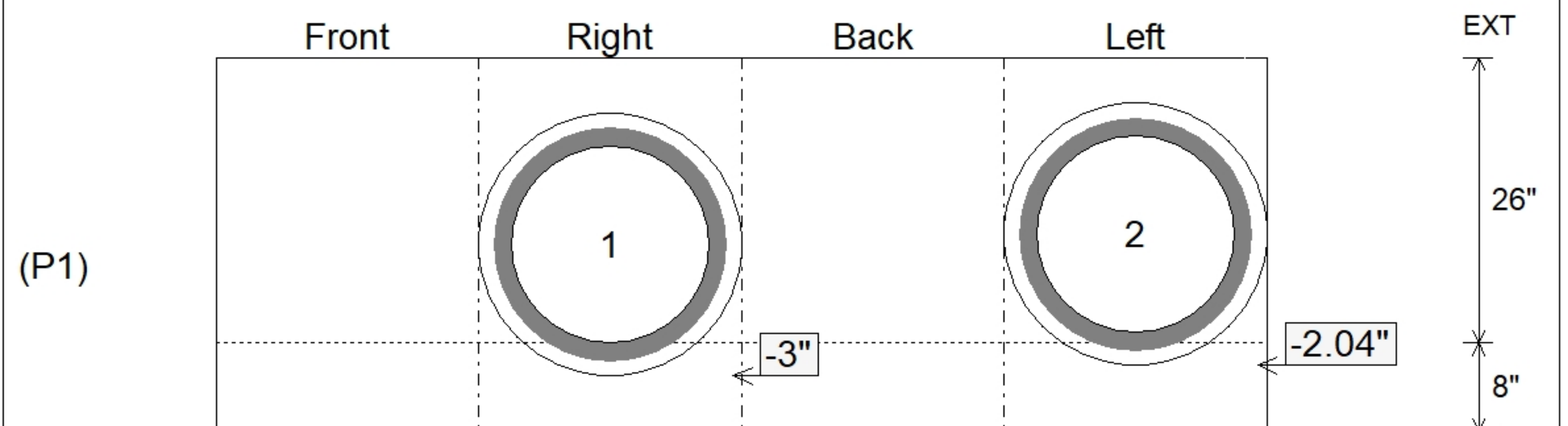
P2) 24" x 24" - CB FLAT TOP 8"W SOLID - 8"	1074 lb
P1) 24" x 24" - BOX BASE 8inW, 8inF, Variable Ht - 26"	2853 lb
1) 24" x 24" - Conseal CS-102 1.00"	0 lb
2) Hole - 24	0 lb
Structure Total:	3927 lb



Position	Elev	Angle	Pipe	Pipe OD	Hole	Connector	Up ()	Ref
Rim	490.92'							
Reducer								
Invert 1	488.05'	90°	18" HDPE	21.2"	24"	Hole 24	-3"	P1
Invert 2	488.13'	270°	18" HDPE	21.2"	24"	Hole 24	-2.04"	P1
Invert 3								
Invert 4								
Invert 5								
Invert 6								
Invert 7								
Invert 8								



Default - Interior Dimensions



Submittal Drawing
3/26/2026 8:40:06 AM

SUBMITTAL
APPROVED BY: