

Job Name: 25-3505 KYTC Multi Co Call 200 (251117)	Plant: 100	Tech: J. Coppage - A	
Job Location: Contractor: Jim Smith Contracting Co, LLC	3/25/2026 8:52:28 AM	PC: Jay Ross Jarvis	

Structure ID: 1447 15

P1 BX3636-08BAVF

BOX BASE 8inW, 8inF, Variable Ht

- P2) 36" x 36" - CB FLAT TOP 8"W SOLID - 8"
- P1) 36" x 36" - BOX BASE 8inW, 8inF, Variable Ht - 31"
- 1) 36" x 36" - Conseal CS-102 1.00"
- 2) Hole - 30

1815 lb
4529 lb
0 lb
0 lb

Structure Total: 6344 lb

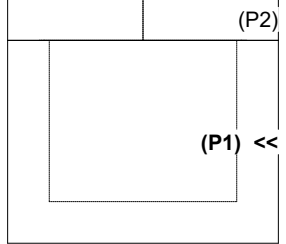
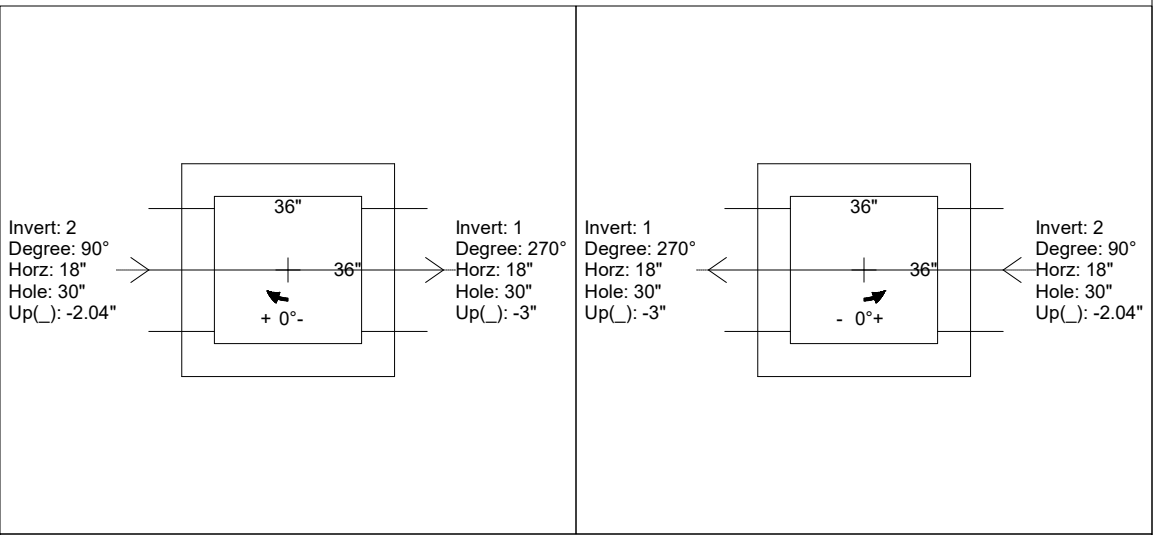
Structure Notes:
***KYTC STATE PROJECT**
1. SOLID TOP SLAB - NO CASTING.
2. KYTC JUNCTION BOX / PER ASTM C913 SPEC'S.
3. CONCRETE = 4,000 PSI AT 28 DAYS.
4. REINFORCING PER ASTM A615 (GRADE 60).
- TOP SLAB (As .62) #5 BARS AT 6" C.C.E.W.
- WALLS (As .31) #5 BARS AT 12" C.C.E.W.
- FLOOR (As .31) #5 BARS AT 12: C.C.E.W.

Rim: 487.33' Rim to Invert: 3.27' Slack: 0.24" Sump: 0" Step Position:

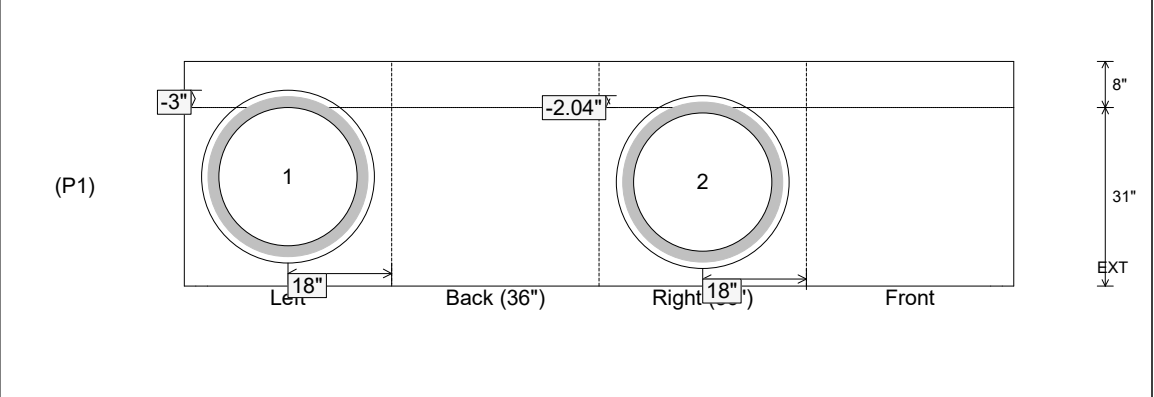
Position	Elev	Angle	Ext. (cw)	Pipe	Pipe OD	Connector	Hole	Horz Size	Up ()	Offset
Invert 1	484.06'	270°	26"	24" HDPE	27.8"	Hole 30	30"	30"	-3"	0"
Invert 2	484.14'	90°	26"	24" HDPE	27.8"	Hole 30	30"	30"	-2.04"	0"
Invert 3										
Invert 4										
Invert 5										
Invert 6										
Invert 7										
Invert 8										

RIGHT-SIDE UP VIEW (int. dimensions)

UPSIDE-DOWN VIEW (int. dimensions)



INSIDE WALL DIMENSIONS



Coating (Int): Coating (Ext):	Seam Up: Flat Seam Dn: n/a	Wall Thickness: 8" Floor Height: 8"	Height (Int): 31" Height (Ext): 39"	Weight (Net): 4529 lb Volume (Net): 1.16cu.yd
----------------------------------	-------------------------------	--	--	--