

Job Name: 25-3505 KYTC Multi Co Call 200 (251117)	Plant: 100	Tech: J. Coppage - A
Job Location: Contractor: Jim Smith Contracting Co, LLC	3/25/2026 8:52:16 AM	PC: Jay Ross Jarvis



Structure ID: 1446 30

P1 BX3648-08BAVF

BOX BASE 8inW, 8inF, Variable Ht

- P2) 36" x 48" - P.I.P. - BY OTHERS - 8"
- P1) 36" x 48" - BOX BASE 8inW, 8inF, Variable Ht - 31"
- 1) CASTING - HOE KY-460 SET (DBI 5D)
- 1) 36" x 48" - Conseal CS-102 1.00"
- 1) Hole - 30

0 lb
5922 lb
460 lb
0 lb
0 lb

Structure Total: 6382 lb

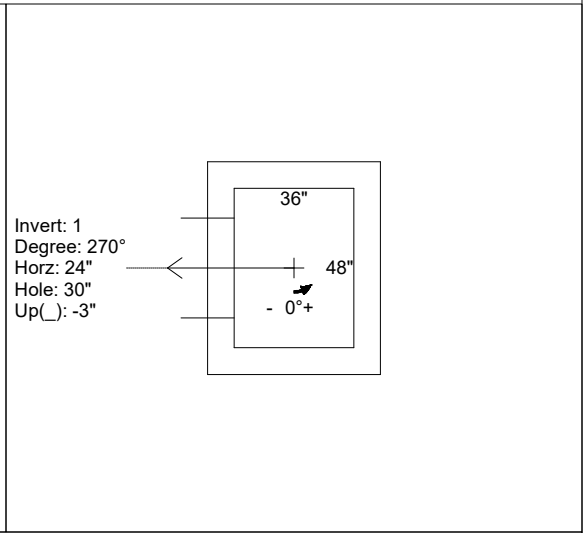
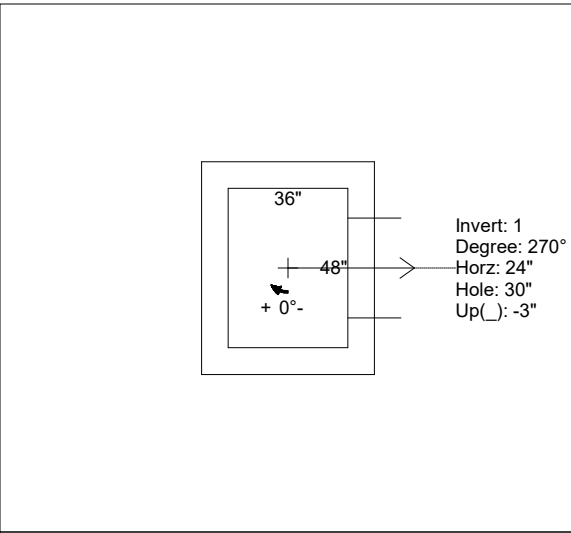
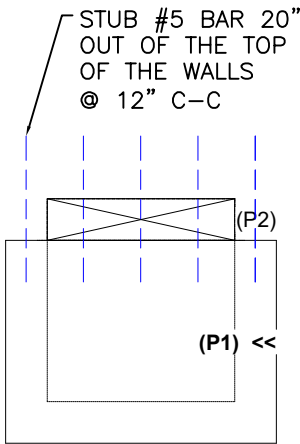
Structure Notes:
****KYTC STATE PROJECT****
 1. HOE KY-460 SET (DBI 5D) PROVIDED BY ICAST.
 2. KYTC DBI TYPE 5
 3. PER ASTM C-913
 - WALLS (As .31) #5 BARS AT 12" C.C.E.W..
 - FLOOR (As .31) #5 BARS AT 12" C.C.E.W..
 4. STUB #5 BARS 20" OUT TOP OF WALLS (SPA@12"C/C)

Rim: 488.39' Rim to Invert: 3.25' Slack: 0" Sump: 0" Step Position:

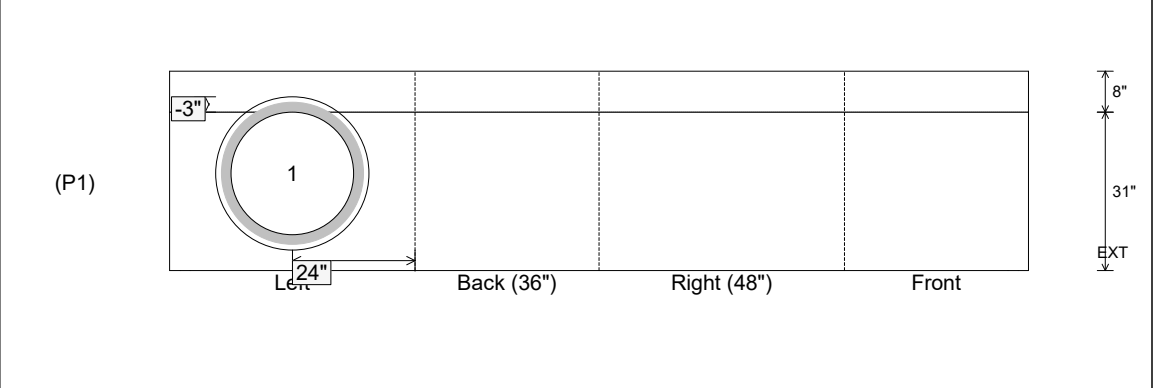
Position	Elev	Angle	Ext. (cw)	Pipe	Pipe OD	Connector	Hole	Horz Size	Up ()	Offset
Invert 1	485.14'	270°	32"	24" HDPE	27.8"	Hole 30	30"	30"	-3"	0"
Invert 2										
Invert 3										
Invert 4										
Invert 5										
Invert 6										
Invert 7										
Invert 8										

RIGHT-SIDE UP VIEW (int. dimensions)

UPSIDE-DOWN VIEW (int. dimensions)



INSIDE WALL DIMENSIONS



Coating (Int): Coating (Ext):	Seam Up: Flat Seam Dn: n/a	Wall Thickness: 8" Floor Height: 8"	Height (Int): 31" Height (Ext): 39"	Weight (Net): 5922 lb Volume (Net): 1.51cu.yd
----------------------------------	-------------------------------	--	--	--