

Job Name: 25-3488 - South Park Industrial Park
 Job Location: Sebree, KY
 Contractor: Winwater Hartford KY Co.

Plant: 100
 12/3/2025 2:24:29 PM

Tech: J. Horsley - F
 PC: A. Chambers



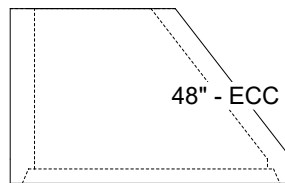
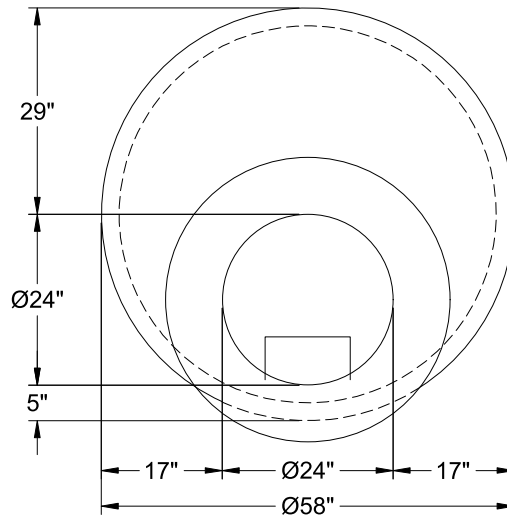
Structure ID: MH-2

P3 MH048CN36

ECC CONE w/ 24" HOLE F/G

P5) 24" - CASTING HEIGHT - 7"	0 lb
P4) 24" - GRADE RING F/F - 4"	270 lb
P3) 48" - ECC CONE w/ 24" HOLE F/G - 36"	3000 lb
P2) 48" - MH RISER T/G - 48"	3353 lb
P1) 48" - MH BASE T/n - 24"	2863 lb
1) JOINT WRAP - 0.065"x6"x50' CONSEAL CS212	0 lb
1) JOINT WRAP PRIMER - CONSEAL CS-75 (1 gal.)	0 lb
1) 48" - MH INVERT CHANNEL - FULL HEIGHT	1440 lb
1) SPECIAL EXTERNAL COATING	0 lb
1) CASTING - HOE MC-375 F/C Sanitary	271 lb
2) 48" - Conseal CS-102 1.00" (Double)	0 lb
3) PSX - 12-08 NYLO	24 lb
8) MH Step ML-10-TDS-NCR - 10"	0 lb
Structure Total:	11221 lb

Structure Notes:
 1. PER ASTM C-478 SPECIFICATIONS
 2. CONCRETE: 4,000 PSI AT 28 DAYS
 3. REINFORCEMENT: PER ASTM A615
 4. CASTING BY I-CAST (HOE MC-375 FRAME & COVER "SANITARY")
 5. CARBOLINE 300M EXTERIOR COATING BY I-CAST



48" - ECC CONE w/ 24" HOLE F/G - 36" - (P3)

Coating (Int): Coating (Ext):	Seam Up: Flat Seam Dn: Groove	Wall Thickness: 5"	Height (Ext): 36"	Weight (Net): 3000 lb Volume (Net): 0.5cu.yd
----------------------------------	----------------------------------	--------------------	-------------------	---

Job Number:

25-3488

Job Name:

South Park Industrial Park

Structure:

MH-2

Note:

Structure To Receive Special
External Coating – Carboline 300M