

Job Name: 25-3488 - South Park Industrial Park
Job Location: Sebree, KY
Contractor: Winwater Hartford KY Co.

PC: A. Chambers
 TECH: J. Horsley - F
 Plant: 100



Structure ID: **MH-1**
 Spec: Sanitary
 Type: SAN.MH (OPEN BTM)
 Size: 48"

Rim: 386.15'
 Invert: 373.18'
 Rim to Invert: 12.97'

Sump: 6"
 Floor (Top): 372.68'
 Floor Height: 0"

Floor (Bot): 372.68'
 Overall Height: 13.417'
 Slack: 0.64"

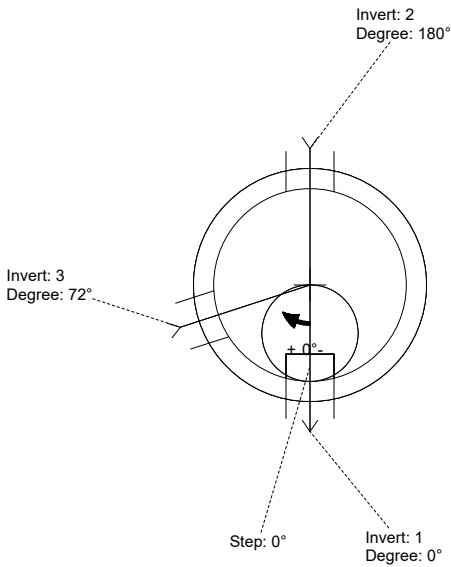
Structure Notes:

1. PER ASTM C478 SPECIFICATIONS.
2. CONCRETE = 4,000 PSI AT 28 DAYS.
3. CASTING BY I-CAST (HOE MC-375 F/C SANITARY).
4. CARBOLINE 300M EXTERIOR COATING BY I-CAST.

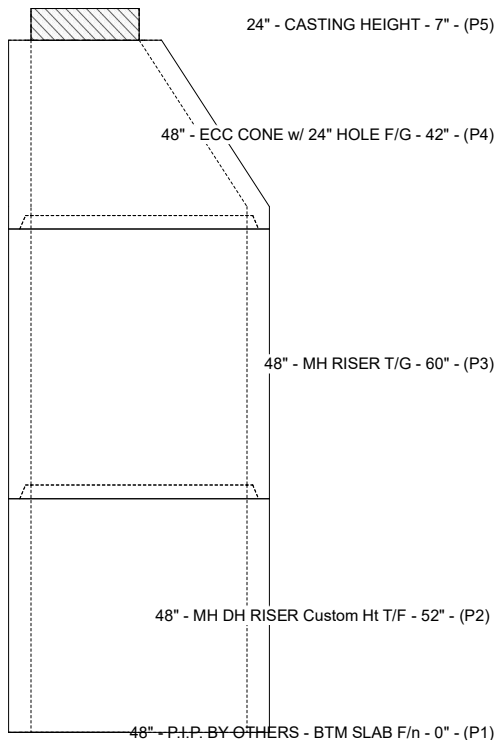
REINFORCING PER ASTM A615 (GRADE 60).
 - CONE (As .12)
 - RISER/WALLS (As .18)

STRUCTURE SUMMARY:

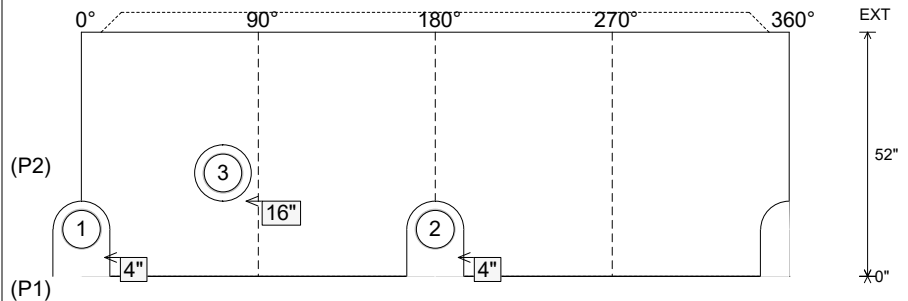
P5) 24" - CASTING HEIGHT - 7"	0 lb
P4) 48" - ECC CONE w/ 24" HOLE F/G - 42"	3200 lb
P3) 48" - MH RISER T/G - 60"	4192 lb
P2) 48" - MH DH RISER Custom Ht T/F - 52"	3435 lb
P1) 48" - P.I.P. BY OTHERS - BTM SLAB F/n - 0"	0 lb
1) JOINT WRAP - 0.065"x6"x50' CONSEAL CS212	0 lb
1) JOINT WRAP PRIMER - CONSEAL CS-75 (1 gal.)	0 lb
1) SPECIAL EXTERNAL COATING	0 lb
1) CASTING - HOE MC-375 F/C Sanitary	271 lb
3) 48" - Conseal CS-102 1.00" (Double)	0 lb
2) DOGHOUSE - 12"x12"	0 lb
1) PSX - 12-08 NYLO	8 lb
13) MH Step ML-10-TDS-NCR - 10"	0 lb
Structure Total:	11106 lb



Position	Elev	Angle	Pipe	Pipe OD	Hole	Connector	Up (")	Ref
Rim	386.15'							
Reducer								
Invert 1	373.18'	0°	8" PVC SDR35	8.5"	12" x 12"	DOGHOUSE 12"x12"	4"	P2
Invert 2	373.18'	180°	8" PVC SDR35	8.5"	12" x 12"	DOGHOUSE 12"x12"	4"	P2
Invert 3	374.18'	72°	8" PVC SDR35	8.5"	12"	PSX 12-08 NYLO	16"	P2
Invert 4								
Invert 5								
Invert 6								
Invert 7								
Invert 8								



Cast (Int. Dim.) - Interior Dimensions



Submittal Drawing
 12/3/2025 2:21:02 PM

SUBMITTAL
 APPROVED BY: