

Job Name: 25-3488 - South Park Industrial Park  
 Job Location: Sebree, KY  
 Contractor: Winwater Hartford KY Co.

Plant: 100  
 12/3/2025 2:24:09 PM

Tech: J. Horsley - F  
 PC: A. Chambers



**Structure ID: MH-1**

**P2 MH048DHVF**

**MH DH RISER Custom Ht T/F**

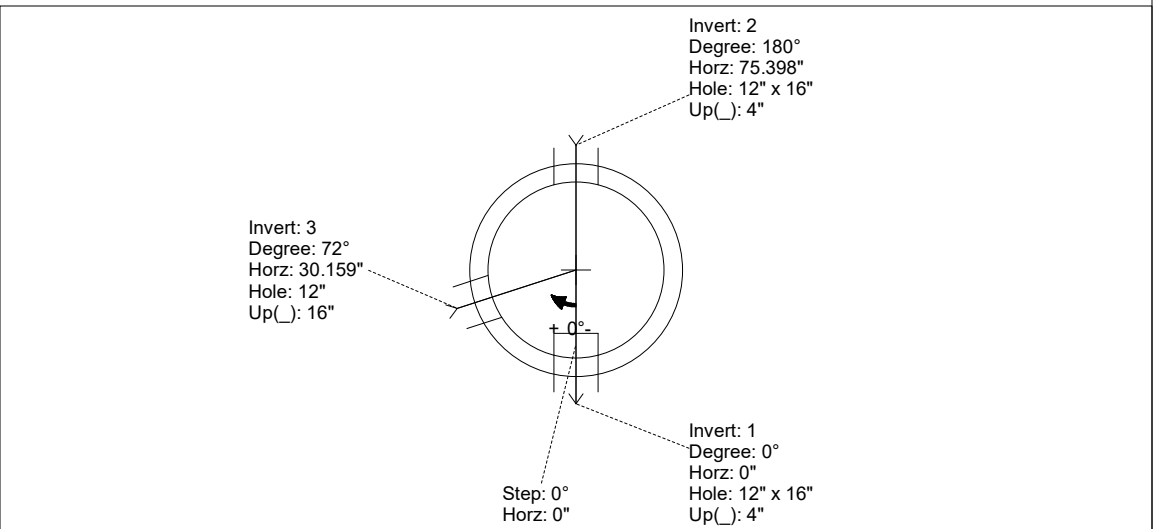
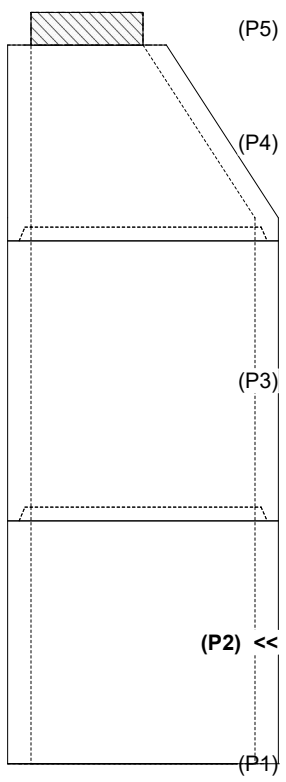
P5) 24" - CASTING HEIGHT - 7"	0 lb
P4) 48" - ECC CONE w/ 24" HOLE F/G - 42"	3200 lb
P3) 48" - MH RISER T/G - 60"	4192 lb
P2) 48" - MH DH RISER Custom Ht T/F - 52"	3435 lb
P1) 48" - P.I.P. BY OTHERS - BTM SLAB F/n - 0"	0 lb
1) JOINT WRAP - 0.065"x6"x50' CONSEAL CS212	0 lb
1) JOINT WRAP PRIMER - CONSEAL CS-75 (1 gal.)	0 lb
1) SPECIAL EXTERNAL COATING	0 lb
1) CASTING - HOE MC-375 F/C Sanitary	271 lb
3) 48" - Conseal CS-102 1.00" (Double)	0 lb
2) DOGHOUSE - 12"x16"	0 lb
1) PSX - 12-08 NYLO	8 lb
13) MH Step ML-10-TDS-NCR - 10"	0 lb
<b>Structure Total:</b>	<b>11106 lb</b>

- Structure Notes:**
- PER ASTM C-478 SPECIFICATIONS
  - CONCRETE: 4,000 PSI AT 28 DAYS
  - REINFORCEMENT: PER ASTM A615
  - CASTING BY I-CAST (HOE MC-375 FRAME & COVER "SANITARY")
  - CARBOLINE 300M EXTERIOR COATING BY I-CAST

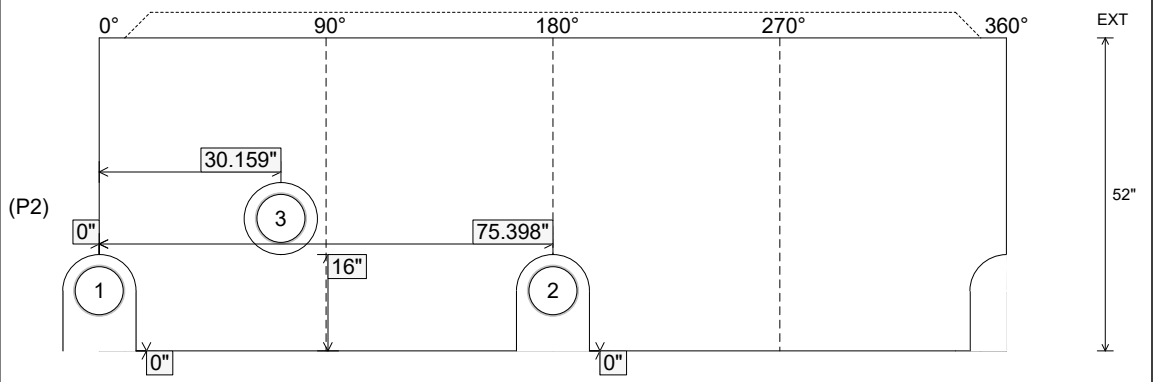
Rim: 386.15' Rim to Invert: 12.97' Slack: 0.64" Sump: 6" Step Position: 0°

Position	Elev	Angle	Ext. (cw)	Pipe	Pipe OD	Connector	Hole	Horz Size	Up (↓)	Offset
Invert 1	373.18'	0°	0"	8" PVC SDR35	8.5"	DOGHOUSE 12"x16"	12" x 16"	12.129"	0"	0"
Invert 2	373.18'	180°	91.106"	8" PVC SDR35	8.5"	DOGHOUSE 12"x16"	12" x 16"	12.129"	0"	0"
Invert 3	374.18'	72°	36.442"	8" PVC SDR35	8.5"	PSX 12-08 NYLO	12"	12.129"	16"	0"
Invert 4										
Invert 5										
Invert 6										
Invert 7										
Invert 8										

**RIGHT-SIDE UP VIEW (int. dimensions)**



**INSIDE WALL DIMENSIONS**



Coating (Int): Coating (Ext):	Seam Up: Tongue Seam Dn: Flat	Wall Thickness: 5" Floor Height: 0"	Height (Int): 52" Height (Ext): 52"	Weight (Net): 3435 lb Volume (Net): 0.88cu.yd
----------------------------------	----------------------------------	--	--	--

**Job Number:**

25-3488

**Job Name:**

South Park Industrial Park

**Structure:**

MH-1

**Note:**

Structure To Receive Special  
External Coating – Carboline 300M