

Job Name: 25-3480 - Noel Ave Sewer Improvements Ph 3
 Job Location: Madisonville, KY 42431
 Contractor: Luttrell & Sons, LLC

Plant: 100

3/6/2026 6:37:22 AM

Tech: J. Horsley - A

PC: Andy Chambers



Structure ID: MH 42

P1 MH048BA36X

MH BASE w/XYPEX T/n

- P4) 24" - CASTING HEIGHT - 7"
- P3) 24" - XYPEX GRADE RING F/F - 4"
- P2) 48" - ECC XYPEX CONE w/ 24" HOLE-SPECIAL F/G - 42"
- P1) 48" - MH BASE w/XYPEX T/n - 36"
- 1) JOINT WRAP PRIMER - CONSEAL CS-75 (1 gal.)
- 1) JOINT WRAP - 0.065"x12"x50' CONSEAL CS212
- 1) 48" - MH INVERT CHANNEL w/XYPEX - FULL HEIGHT
- 1) ADMIXTURE XYPEX C-1000 RED
- 1) CASTING - HOE MC-375-SS F/C Sanitary
- 1) 48" - Conseal CS-102 1.00" (Double)
- 1) PSX - 16Y NYLO
- 2) PSX - 12-08 NYLO
- 1) PSX - 8QRS-S NYLO

- Structure Notes:**
 STATION: 7+47.82 LN S-1
1. PER ASTM C-478 SPECIFICATIONS
 2. CONCRETE: 4,500 PSI AT 28 DAYS
 3. REINFORCEMENT: PER ASTM A615
 4. INVERT CHANNEL REQUIRED
 5. XYPEX C-1000 ADMIXTURE REQUIRED
 6. NO STEPS
 7. HOE MC-375 FRAME & SELF-SEAL COVER
 "SANITARY" SUPPLIED BY ICAST

0 lb
 270 lb
 3116 lb
 3642 lb
 0 lb
 0 lb
 1440 lb
 0 lb
 271 lb
 8 lb
 16 lb
 6 lb

 Structure Total: 8770 lb

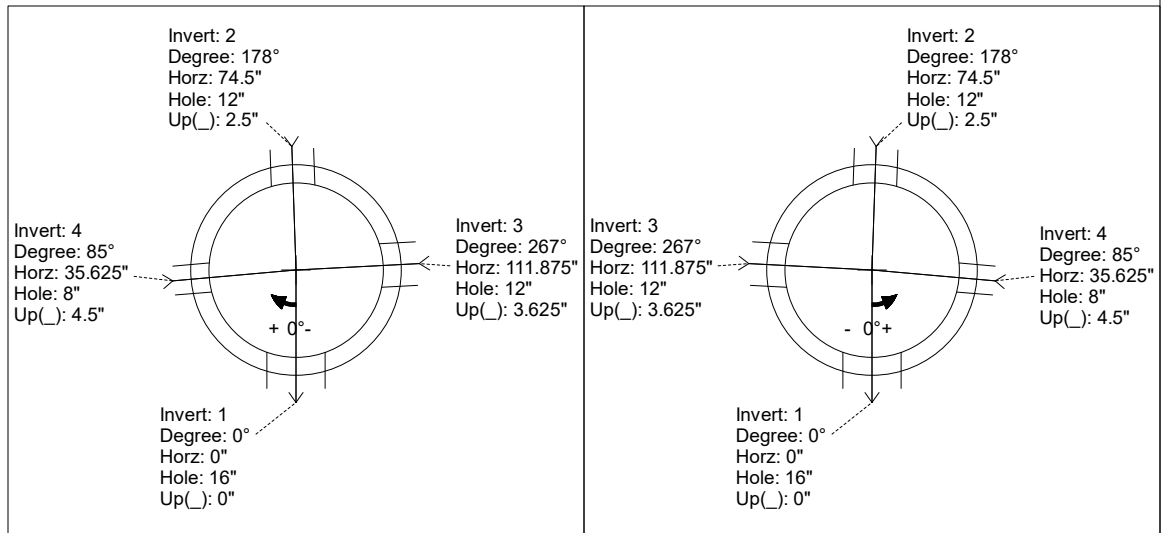
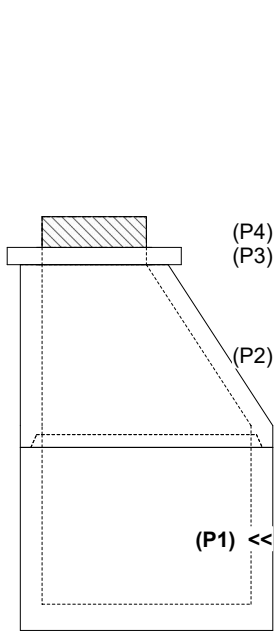
Structure Total: 8770 lb

Rim: 456.59' Rim to Invert: 7.32' Slack: 1.84" Sump: 3" Step Position:

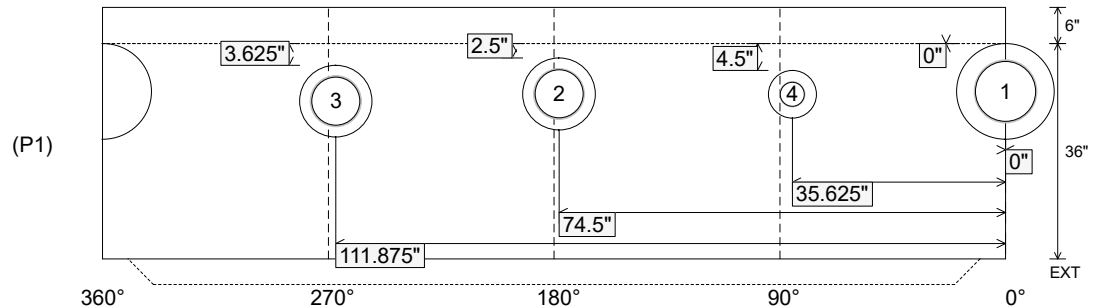
Position	Elev	Angle	Ext. (cw)	Pipe	Pipe OD	Connector	Hole	Horz Size	Up ()	Offset
Invert 1	449.27'	0°	0"	10" PVC SDR26	10.5"	PSX 16Y NYLO	16"	16.312"	0"	0"
Invert 2	449.39'	178°	90.125"	8" PVC SDR26	8.5"	PSX 12-08 NYLO	12"	12.129"	2.5"	0"
Invert 3	449.49'	267°	135.125"	8" PVC SDR26	8.5"	PSX 12-08 NYLO	12"	12.129"	3.625"	0"
Invert 4	449.56'	85°	43"	4" PVC SDR26	4.25"	PSX 8QRS-S NYLO	8"	8.038"	4.5"	0"
Invert 5										
Invert 6										
Invert 7										
Invert 8										

RIGHT-SIDE UP VIEW (int. dimensions)

UPSIDE-DOWN VIEW (int. dimensions)



INSIDE WALL DIMENSIONS



Coating (Int):
 Coating (Ext):

Seam Up: Tongue
 Seam Dn: n/a

Wall Thickness: 5"
 Floor Height: 6"

Height (Int): 36"
 Height (Ext): 42"

Weight (Net): 3642 lb
 Volume (Net): 0.93cu.yd

Job Name: 25-3480 - Noel Ave Sewer Improvements Ph 3
 Job Location: Madisonville, KY 42431
 Contractor: Luttrell & Sons, LLC

Plant: 100

3/6/2026 6:37:22 AM

Tech: J. Horsley - A

PC: Andy Chambers



Structure ID: MH 42

P1 MH048BA36X

MH BASE w/XYPEX T/n

- P4) 24" - CASTING HEIGHT - 7"
- P3) 24" - XYPEX GRADE RING F/F - 4"
- P2) 48" - ECC XYPEX CONE w/ 24" HOLE-SPECIAL F/G - 42"
- P1) 48" - MH BASE w/XYPEX T/n - 36"
- 1) JOINT WRAP PRIMER - CONSEAL CS-75 (1 gal.)
- 1) JOINT WRAP - 0.065"x12"x50' CONSEAL CS212
- 1) 48" - MH INVERT CHANNEL w/XYPEX - FULL HEIGHT
- 1) ADMIXTURE XYPEX C-1000 RED
- 1) CASTING - HOE MC-375-SS F/C Sanitary
- 1) 48" - Conseal CS-102 1.00" (Double)
- 1) PSX - 16Y NYLO
- 2) PSX - 12-08 NYLO
- 1) PSX - 8QRS-S NYLO

0 lb
 270 lb
 3116 lb
 3642 lb
 0 lb
 0 lb
 1440 lb
 0 lb
 271 lb
 8 lb
 16 lb
 6 lb

 Structure Total: 8770 lb

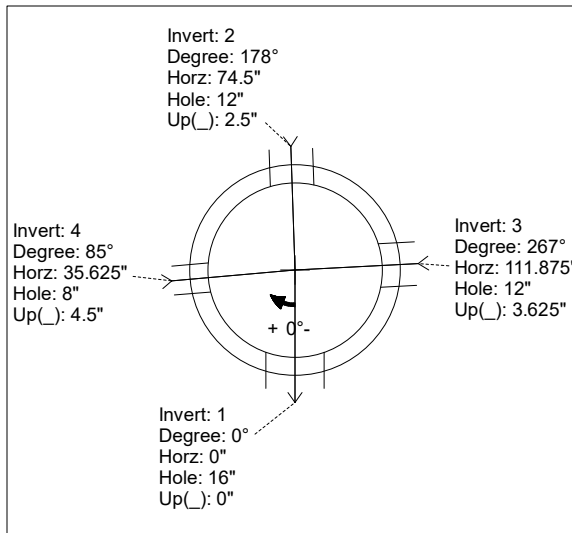
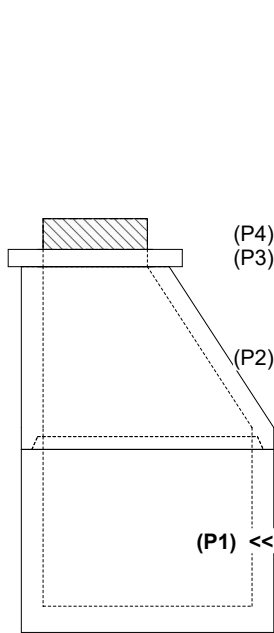
Structure Notes:
 STATION: 7+47.82 LN S-1
 1. PER ASTM C-478 SPECIFICATIONS
 2. CONCRETE: 4,500 PSI AT 28 DAYS
 3. REINFORCEMENT: PER ASTM A615
 4. INVERT CHANNEL REQUIRED
 5. XYPEX C-1000 ADMIXTURE REQUIRED
 6. NO STEPS
 7. HOE MC-375 FRAME & SELF-SEAL COVER
 "SANITARY" SUPPLIED BY ICAST

Rim: 456.59' Rim to Invert: 7.32' Slack: 1.84" Sump: 3" Step Position:

Position	Elev	Angle	Ext. (cw)	Pipe	Pipe OD	Connector	Hole	Horz Size	Up ()	Offset
Invert 1	449.27'	0°	0"	10" PVC SDR26	10.5"	PSX 16Y NYLO	16"	16.312"	0"	0"
Invert 2	449.39'	178°	90.125"	8" PVC SDR26	8.5"	PSX 12-08 NYLO	12"	12.129"	2.5"	0"
Invert 3	449.49'	267°	135.125"	8" PVC SDR26	8.5"	PSX 12-08 NYLO	12"	12.129"	3.625"	0"
Invert 4	449.56'	85°	43"	4" PVC SDR26	4.25"	PSX 8QRS-S NYLO	8"	8.038"	4.5"	0"
Invert 5										
Invert 6										
Invert 7										
Invert 8										

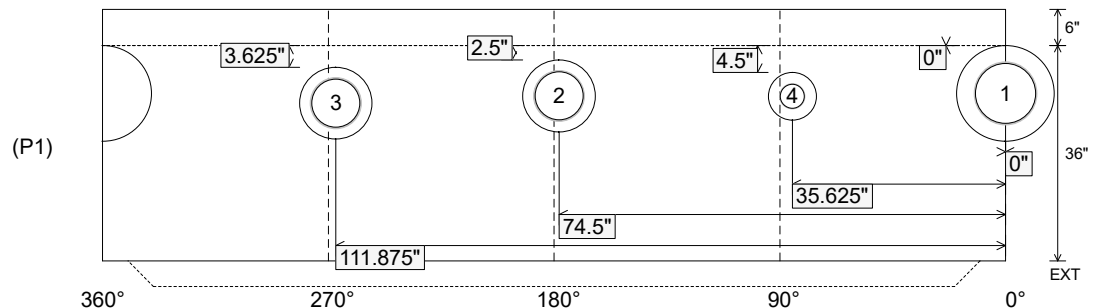
RIGHT-SIDE UP VIEW (int. dimensions)

UPSIDE-DOWN VIEW (int. dimensions)



INVERT CHANNEL DRAWING

INSIDE WALL DIMENSIONS



Coating (Int):
 Coating (Ext):

Seam Up: Tongue
 Seam Dn: n/a

Wall Thickness: 5"
 Floor Height: 6"

Height (Int): 36"
 Height (Ext): 42"

Weight (Net): 3642 lb
 Volume (Net): 0.93cu.yd