

**Job Name: 25-3480 - Noel Ave Sewer Improvements Ph 3**  
**Job Location: Madisonville, KY 42431**  
**Contractor: Luttrell & Sons, LLC**

PC: Andy Chambers  
 TECH: J. Horsley - A  
 Plant: 100



Structure ID: **MH 13**

Spec: Sanitary  
 Type: SAN.MH w/Xypex  
 Size: 48"

Rim: 450.06'  
 Invert: 442.66'  
 Rim to Invert: 7.4'

Sump: 3"  
 Floor (Top): 442.41'  
 Floor Height: 6"

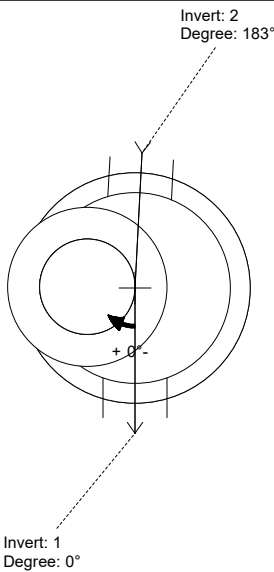
Floor (Bot): 441.91'  
 Overall Height: 7.917'  
 Slack: 2.8"

**Structure Notes:**

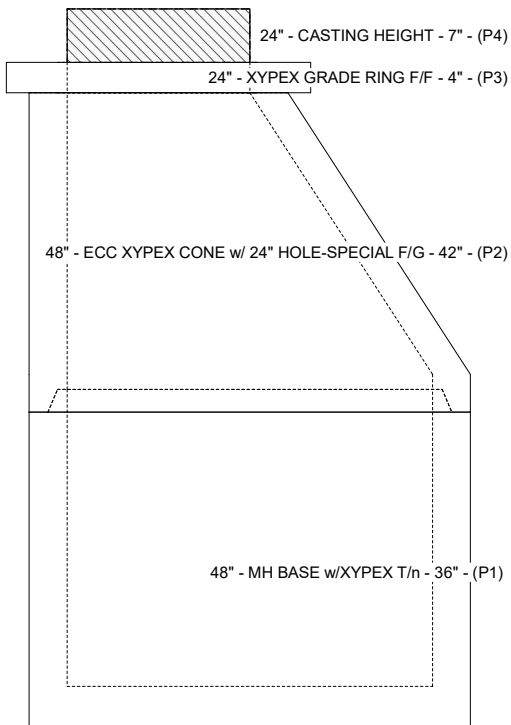
- STATION: 0+00 LN S-1  
 1. PER ASTM C-478 SPECIFICATIONS  
 2. CONCRETE: 5,000 PSI AT 28 DAYS  
 3. REINFORCEMENT: PER ASTM A615  
 4. INVERT CHANNEL REQUIRED  
 5. XYPEX C-1000 ADMIXTURE REQUIRED  
 6. NO STEPS  
 7. HOE MC-375 FRAME & SELF-SEAL COVER "SANITARY" SUPPLIED BY ICAST

**STRUCTURE SUMMARY:**

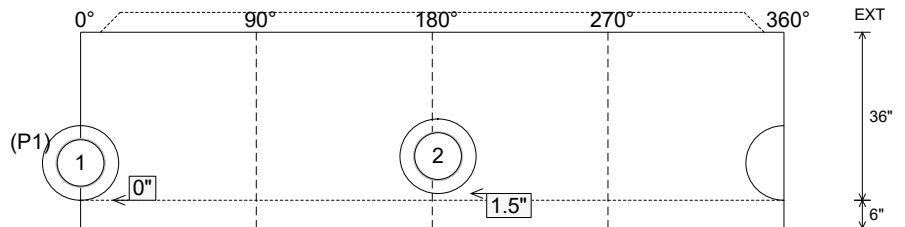
- P4) 24" - CASTING HEIGHT - 7" 0 lb
  - P3) 24" - XYPEX GRADE RING F/F - 4" 270 lb
  - P2) 48" - ECC XYPEX CONE w/ 24" HOLE-SPECIAL F/G - 42" 3116 lb
  - P1) 48" - MH BASE w/XYPEX T/n - 36" 3674 lb
  - 1) JOINT WRAP PRIMER - CONSEAL CS-75 (1 gal.) 0 lb
  - 1) JOINT WRAP - 0.065"x12"x50' CONSEAL CS212 0 lb
  - 1) 48" - MH INVERT CHANNEL w/XYPEX - FULL HEIGHT 1440 lb
  - 1) ADMIXTURE XYPEX C-1000 RED 0 lb
  - 1) CASTING - HOE MC-375-SS F/C Sanitary 271 lb
  - 1) 48" - Conseal CS-102 1.00" (Double) 0 lb
  - 2) PSX - 16Y NYLO 16 lb
- Structure Total: 8787 lb**



Position	Elev	Angle	Pipe	Pipe OD	Hole	Connector	Up (L)	Ref
Rim	450.06'							
Reducer								
Invert 1	442.66'	0°	10" PVC SDR26	10.5"	16"	PSX 16Y NYLO	0"	P1
Invert 2	442.78'	183°	10" PVC SDR26	10.5"	16"	PSX 16Y NYLO	1.5"	P1
Invert 3								
Invert 4								
Invert 5								
Invert 6								
Invert 7								
Invert 8								



**Cast (Int. Dim.) - Interior Dimensions**



Submittal Drawing  
 3/6/2026 5:53:59 AM

SUBMITTAL  
 APPROVED BY: