

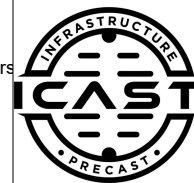
Job Name: 25-3480 - Noel Ave Sewer Improvements Ph 3
 Job Location: Madisonville, KY 42431
 Contractor: Luttrell & Sons, LLC

Plant: 100

3/6/2026 6:37:21 AM

Tech: J. Horsley - A

PC: Andy Chambers



Structure ID: MH 13

P1 MH048BA36X

MH BASE w/XYPEX T/n

P4) 24" - CASTING HEIGHT - 7"	0 lb
P3) 24" - XYPEX GRADE RING F/F - 4"	270 lb
P2) 48" - ECC XYPEX CONE w/ 24" HOLE-SPECIAL F/G - 42"	3116 lb
P1) 48" - MH BASE w/XYPEX T/n - 36"	3674 lb
1) JOINT WRAP PRIMER - CONSEAL CS-75 (1 gal.)	0 lb
1) JOINT WRAP - 0.065"x12"x50' CONSEAL CS212	0 lb
1) 48" - MH INVERT CHANNEL w/XYPEX - FULL HEIGHT	1440 lb
1) ADMIXTURE XYPEX C-1000 RED	0 lb
1) CASTING - HOE MC-375-SS F/C Sanitary	271 lb
1) 48" - Conseal CS-102 1.00" (Double)	0 lb
2) PSX - 16Y NYLO	16 lb
Structure Total:	8787 lb

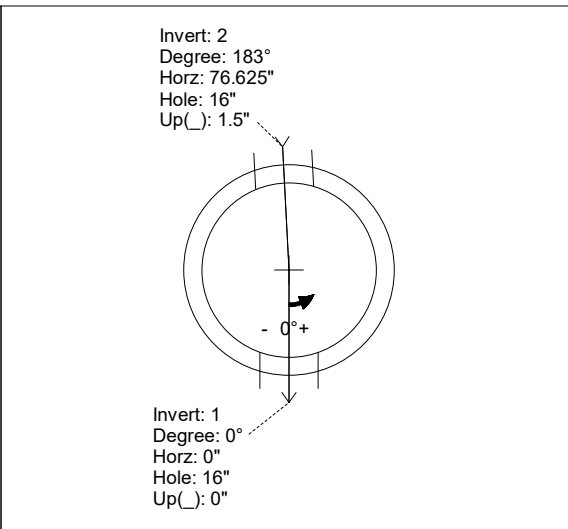
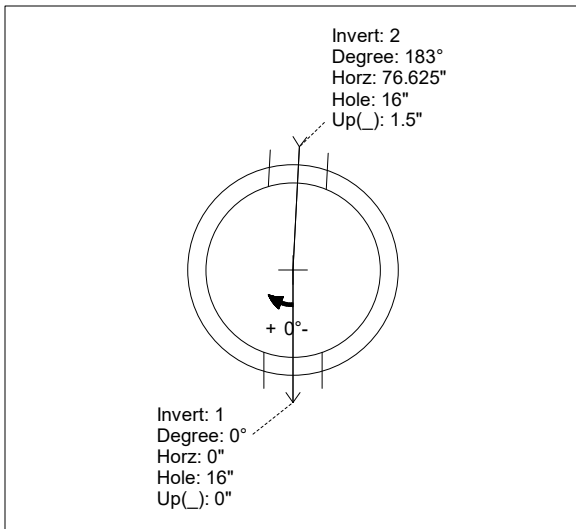
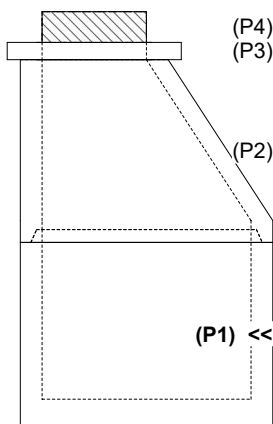
Structure Notes:
 STATION: 0+00 LN S-1
 1. PER ASTM C-478 SPECIFICATIONS
 2. CONCRETE: 4,500 PSI AT 28 DAYS
 3. REINFORCEMENT: PER ASTM A615
 4. INVERT CHANNEL REQUIRED
 5. XYPEX C-1000 ADMIXTURE REQUIRED
 6. NO STEPS
 7. HOE MC-375 FRAME & SELF-SEAL COVER
 "SANITARY" SUPPLIED BY ICAST

Rim: 450.06' Rim to Invert: 7.4' Slack: 2.8" Sump: 3" Step Position:

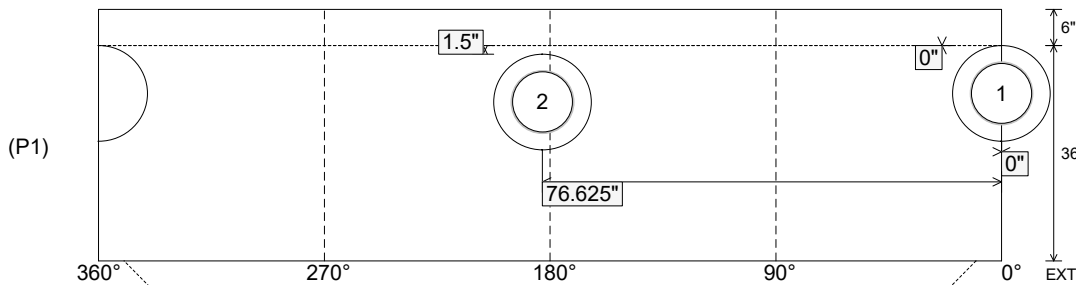
Position	Elev	Angle	Ext. (cw)	Pipe	Pipe OD	Connector	Hole	Horz Size	Up ()	Offset
Invert 1	442.66'	0°	0"	10" PVC SDR26	10.5"	PSX 16Y NYLO	16"	16.312"	0"	0"
Invert 2	442.78'	183°	92.625"	10" PVC SDR26	10.5"	PSX 16Y NYLO	16"	16.312"	1.5"	0"
Invert 3										
Invert 4										
Invert 5										
Invert 6										
Invert 7										
Invert 8										

RIGHT-SIDE UP VIEW (int. dimensions)

UPSIDE-DOWN VIEW (int. dimensions)



INSIDE WALL DIMENSIONS



Coating (Int):
 Coating (Ext):

Seam Up: Tongue
 Seam Dn: n/a

Wall Thickness: 5"
 Floor Height: 6"

Height (Int): 36"
 Height (Ext): 42"

Weight (Net): 3674 lb
 Volume (Net): 0.94cu.yd



Structure ID: MH 13

P1 MH048BA36X

MH BASE w/XYPEX T/n

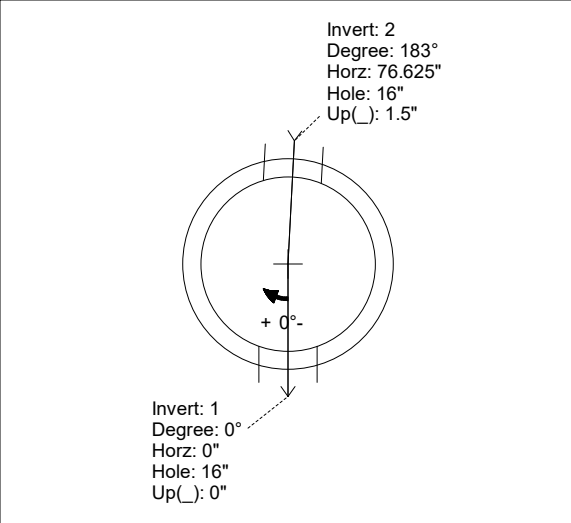
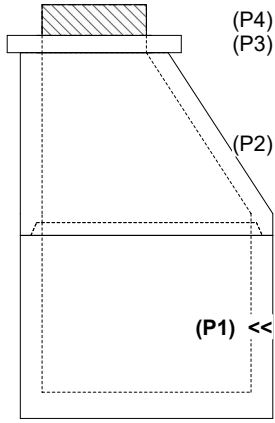
P4) 24" - CASTING HEIGHT - 7" P3) 24" - XYPEX GRADE RING F/F - 4" P2) 48" - ECC XYPEX CONE w/ 24" HOLE-SPECIAL F/G - 42" P1) 48" - MH BASE w/XYPEX T/n - 36" 1) JOINT WRAP PRIMER - CONSEAL CS-75 (1 gal.) 1) JOINT WRAP - 0.065"x12"x50' CONSEAL CS212 1) 48" - MH INVERT CHANNEL w/XYPEX - FULL HEIGHT 1) ADMIXTURE XYPEX C-1000 RED 1) CASTING - HOE MC-375-SS F/C Sanitary 1) 48" - Conseal CS-102 1.00" (Double) 2) PSX - 16Y NYLO	0 lb 270 lb 3116 lb 3674 lb 0 lb 0 lb 1440 lb 0 lb 271 lb 0 lb 16 lb _____ Structure Total: 8787 lb
---	---

Structure Notes:
 STATION: 0+00 LN S-1
 1. PER ASTM C-478 SPECIFICATIONS
 2. CONCRETE: 4,500 PSI AT 28 DAYS
 3. REINFORCEMENT: PER ASTM A615
 4. INVERT CHANNEL REQUIRED
 5. XYPEX C-1000 ADMIXTURE REQUIRED
 6. NO STEPS
 7. HOE MC-375 FRAME & SELF-SEAL COVER
 "SANITARY" SUPPLIED BY ICAST

Rim: 450.06' Rim to Invert: 7.4' Slack: 2.8" Sump: 3" Step Position:

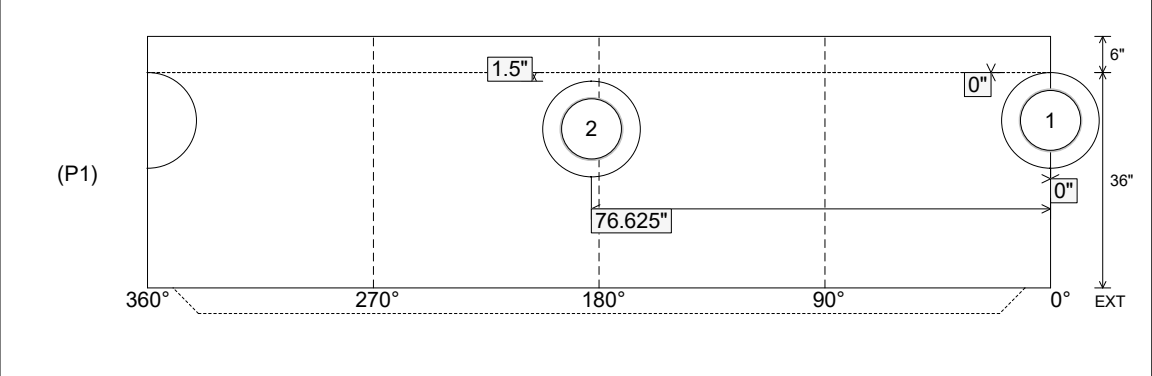
Position	Elev	Angle	Ext. (cw)	Pipe	Pipe OD	Connector	Hole	Horz Size	Up ()	Offset
Invert 1	442.66'	0°	0"	10" PVC SDR26	10.5"	PSX 16Y NYLO	16"	16.312"	0"	0"
Invert 2	442.78'	183°	92.625"	10" PVC SDR26	10.5"	PSX 16Y NYLO	16"	16.312"	1.5"	0"
Invert 3										
Invert 4										
Invert 5										
Invert 6										
Invert 7										
Invert 8										

RIGHT-SIDE UP VIEW (int. dimensions) UPSIDE-DOWN VIEW (int. dimensions)



INVERT CHANNEL DRAWING

INSIDE WALL DIMENSIONS



Coating (Int): Coating (Ext):	Seam Up: Tongue Seam Dn: n/a	Wall Thickness: 5" Floor Height: 6"	Height (Int): 36" Height (Ext): 42"	Weight (Net): 3674 lb Volume (Net): 0.94cu.yd
----------------------------------	---------------------------------	--	--	--