

Job Name: 25-3480 - Noel Ave Sewer Improvements Ph 3
 Job Location: Madisonville, KY 42431
 Contractor: Luttrell & Sons, LLC

Plant: 100

Tech: J. Horsley - A

3/6/2026 6:37:20 AM

PC: Andy Chambers



Structure ID: B4

P1 MH048BAVFX

MH BASE Custom Ht, w/XYPEX T/n

- P4) 24" - CASTING HEIGHT - 7"
- P3) 48" - ECC XYPEX CONE w/ 24" HOLE-SPECIAL F/G - 24"
- P2) 48" - MH RISER w/XYPEX/NO STEP T/G - 42"
- P1) 48" - MH BASE Custom Ht, w/XYPEX T/n - 20"
- 1) JOINT WRAP PRIMER - CONSEAL CS-75 (1 gal.)
- 1) JOINT WRAP - 0.065"x12"x50' CONSEAL CS212
- 1) 48" - MH INVERT CHANNEL w/XYPEX - FULL HEIGHT
- 1) ADMIXTURE XYPEX C-1000 RED
- 1) CASTING - HOE MC-375-SS F/C Sanitary
- 2) 48" - Conseal CS-102 1.00" (Double)
- 2) PSX - 16Y NYLO
- 1) PSX - 12-08 NYLO

0 lb
 1740 lb
 2934 lb
 2508 lb
 0 lb
 0 lb
 1440 lb
 0 lb
 271 lb
 0 lb
 16 lb
 8 lb

 Structure Total: 8917 lb

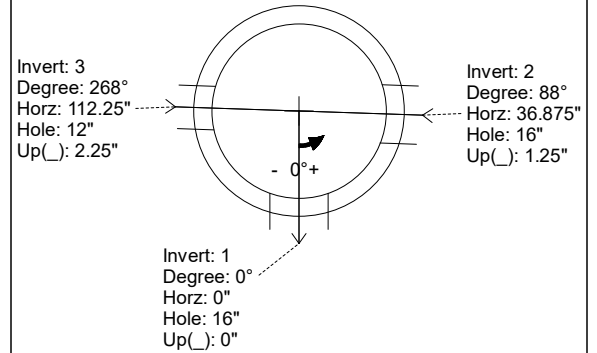
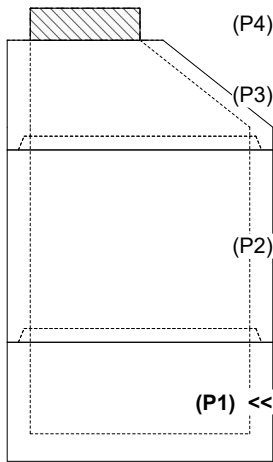
Structure Notes:
 STATION: 5+52.70 LN S-1
 1. PER ASTM C-478 SPECIFICATIONS
 2. CONCRETE: 4,500 PSI AT 28 DAYS
 3. REINFORCEMENT: PER ASTM A615
 4. INVERT CHANNEL REQUIRED
 5. XYPEX C-1000 ADMIXTURE REQUIRED
 6. NO STEPS
 7. HOE MC-375 FRAME & SELF-SEAL COVER
 "SANITARY" SUPPLIED BY ICAST

Rim: 456' Rim to Invert: 7.62' Slack: 1.44" Sump: 3" Step Position:

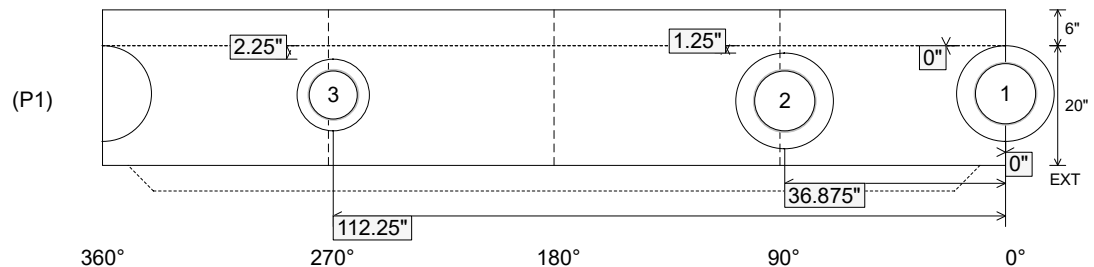
Position	Elev	Angle	Ext. (cw)	Pipe	Pipe OD	Connector	Hole	Horz Size	Up ()	Offset
Invert 1	448.38'	0°	0"	10" PVC SDR35	10.5"	PSX 16Y NYLO	16"	16.312"	0"	0"
Invert 2	448.48'	88°	44.5"	10" PVC SDR35	10.5"	PSX 16Y NYLO	16"	16.312"	1.25"	0"
Invert 3	448.48'	268°	135.625"	8" PVC SDR26	8.5"	PSX 12-08 NYLO	12"	12.129"	2.25"	0"
Invert 4										
Invert 5										
Invert 6										
Invert 7										
Invert 8										

RIGHT-SIDE UP VIEW (int. dimensions)

UPSIDE-DOWN VIEW (int. dimensions)



INSIDE WALL DIMENSIONS



Coating (Int):
 Coating (Ext):

Seam Up: Tongue
 Seam Dn: n/a

Wall Thickness: 5"
 Floor Height: 6"

Height (Int): 20"
 Height (Ext): 26"

Weight (Net): 2508 lb
 Volume (Net): 0.64cu.yd

Job Name: 25-3480 - Noel Ave Sewer Improvements Ph 3
 Job Location: Madisonville, KY 42431
 Contractor: Luttrell & Sons, LLC

Plant: 100

Tech: J. Horsley - A

3/6/2026 6:37:20 AM

PC: Andy Chambers



Structure ID: B4

P1 MH048BAVFX

MH BASE Custom Ht, w/XYPEX T/n

P4) 24" - CASTING HEIGHT - 7"	0 lb
P3) 48" - ECC XYPEX CONE w/ 24" HOLE-SPECIAL F/G - 24"	1740 lb
P2) 48" - MH RISER w/XYPEX/NO STEP T/G - 42"	2934 lb
P1) 48" - MH BASE Custom Ht, w/XYPEX T/n - 20"	2508 lb
1) JOINT WRAP PRIMER - CONSEAL CS-75 (1 gal.)	0 lb
1) JOINT WRAP - 0.065"x12"x50' CONSEAL CS212	0 lb
1) 48" - MH INVERT CHANNEL w/XYPEX - FULL HEIGHT	1440 lb
1) ADMIXTURE XYPEX C-1000 RED	0 lb
1) CASTING - HOE MC-375-SS F/C Sanitary	271 lb
2) 48" - Conseal CS-102 1.00" (Double)	0 lb
2) PSX - 16Y NYLO	16 lb
1) PSX - 12-08 NYLO	8 lb
Structure Total:	8917 lb

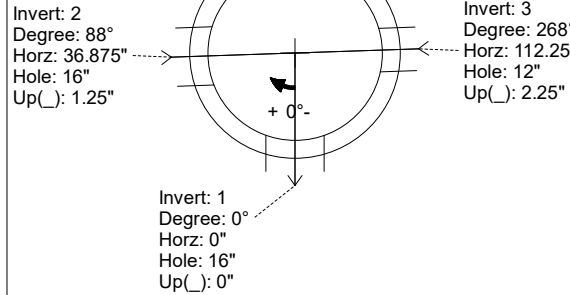
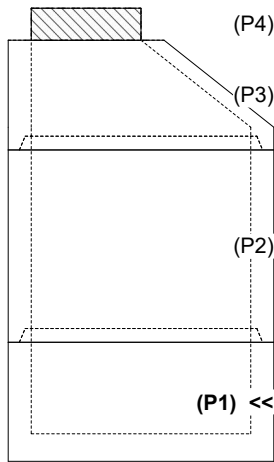
Structure Notes:
 STATION: 5+52.70 LN S-1
 1. PER ASTM C-478 SPECIFICATIONS
 2. CONCRETE: 4,500 PSI AT 28 DAYS
 3. REINFORCEMENT: PER ASTM A615
 4. INVERT CHANNEL REQUIRED
 5. XYPEX C-1000 ADMIXTURE REQUIRED
 6. NO STEPS
 7. HOE MC-375 FRAME & SELF-SEAL COVER
 "SANITARY" SUPPLIED BY ICAST

Rim: 456' Rim to Invert: 7.62' Slack: 1.44" Sump: 3" Step Position:

Position	Elev	Angle	Ext. (cw)	Pipe	Pipe OD	Connector	Hole	Horz Size	Up ()	Offset
Invert 1	448.38'	0°	0"	10" PVC SDR35	10.5"	PSX 16Y NYLO	16"	16.312"	0"	0"
Invert 2	448.48'	88°	44.5"	10" PVC SDR35	10.5"	PSX 16Y NYLO	16"	16.312"	1.25"	0"
Invert 3	448.48'	268°	135.625"	8" PVC SDR26	8.5"	PSX 12-08 NYLO	12"	12.129"	2.25"	0"
Invert 4										
Invert 5										
Invert 6										
Invert 7										
Invert 8										

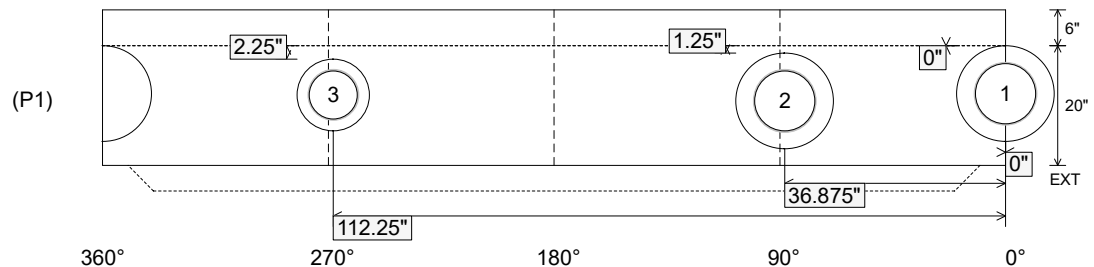
RIGHT-SIDE UP VIEW (int. dimensions)

UPSIDE-DOWN VIEW (int. dimensions)



INVERT CHANNEL DRAWING

INSIDE WALL DIMENSIONS



Coating (Int):
 Coating (Ext):

Seam Up: Tongue
 Seam Dn: n/a

Wall Thickness: 5"
 Floor Height: 6"

Height (Int): 20"
 Height (Ext): 26"

Weight (Net): 2508 lb
 Volume (Net): 0.64cu.yd