

Structure ID: B3.1

P1 MH048BAVFX

MH BASE Custom Ht, w/XYPEX T/n

| | | | | | | | | | | | | | | | | | | | | | | | | | |
|---|--|------|--|---------|--|---------|--|------|--|------|--|---------|--|------|--|--------|--|------|--|-------|--|-------|--|------------------|---------|
| P3) 24" - CASTING HEIGHT - 7" P2) 48" - XYPEX MH FLAT TOP w/24" ECC Hole F/G - 12" P1) 48" - MH BASE Custom Ht, w/XYPEX T/n - 23" 1) JOINT WRAP PRIMER - CONSEAL CS-75 (1 gal.) 1) JOINT WRAP - 0.065"x12"x50' CONSEAL CS212 1) 48" - MH INVERT CHANNEL w/XYPEX - FULL HEIGHT 1) ADMIXTURE XYPEX C-1000 RED 1) CASTING - HOE MC-375-SS F/C Sanitary 1) 48" - Conseal CS-102 1.00" (Double) 2) PSX - 16Y NYLO | <table style="width:100%; border-collapse: collapse;"> <tr><td style="text-align: right;">0 lb</td><td></td></tr> <tr><td style="text-align: right;">2205 lb</td><td></td></tr> <tr><td style="text-align: right;">2765 lb</td><td></td></tr> <tr><td style="text-align: right;">0 lb</td><td></td></tr> <tr><td style="text-align: right;">0 lb</td><td></td></tr> <tr><td style="text-align: right;">1440 lb</td><td></td></tr> <tr><td style="text-align: right;">0 lb</td><td></td></tr> <tr><td style="text-align: right;">271 lb</td><td></td></tr> <tr><td style="text-align: right;">0 lb</td><td></td></tr> <tr><td style="text-align: right;">16 lb</td><td></td></tr> <tr><td style="text-align: right;">-----</td><td></td></tr> <tr><td style="text-align: right;">Structure Total:</td><td style="text-align: right;">6697 lb</td></tr> </table> | 0 lb | | 2205 lb | | 2765 lb | | 0 lb | | 0 lb | | 1440 lb | | 0 lb | | 271 lb | | 0 lb | | 16 lb | | ----- | | Structure Total: | 6697 lb |
| 0 lb | | | | | | | | | | | | | | | | | | | | | | | | | |
| 2205 lb | | | | | | | | | | | | | | | | | | | | | | | | | |
| 2765 lb | | | | | | | | | | | | | | | | | | | | | | | | | |
| 0 lb | | | | | | | | | | | | | | | | | | | | | | | | | |
| 0 lb | | | | | | | | | | | | | | | | | | | | | | | | | |
| 1440 lb | | | | | | | | | | | | | | | | | | | | | | | | | |
| 0 lb | | | | | | | | | | | | | | | | | | | | | | | | | |
| 271 lb | | | | | | | | | | | | | | | | | | | | | | | | | |
| 0 lb | | | | | | | | | | | | | | | | | | | | | | | | | |
| 16 lb | | | | | | | | | | | | | | | | | | | | | | | | | |
| ----- | | | | | | | | | | | | | | | | | | | | | | | | | |
| Structure Total: | 6697 lb | | | | | | | | | | | | | | | | | | | | | | | | |

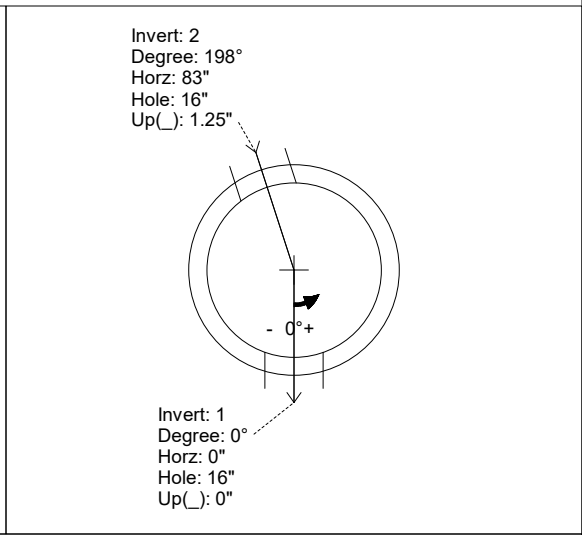
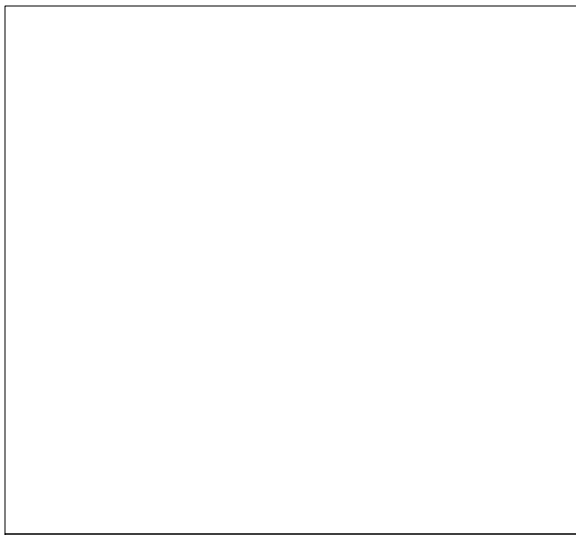
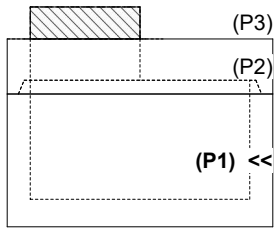
Structure Notes:
 STATION: 0+57.73 LN S-2
 1. PER ASTM C-478 SPECIFICATIONS
 2. CONCRETE: 4,500 PSI AT 28 DAYS
 3. REINFORCEMENT: PER ASTM A615
 4. INVERT CHANNEL REQUIRED
 5. XYPEX C-1000 ADMIXTURE REQUIRED
 6. NO STEPS
 7. HOE MC-375 FRAME & SELF-SEAL COVER
 "SANITARY" SUPPLIED BY ICAST

Rim: 455' Rim to Invert: 3.39' Slack: 1.68" Sump: 3" Step Position:

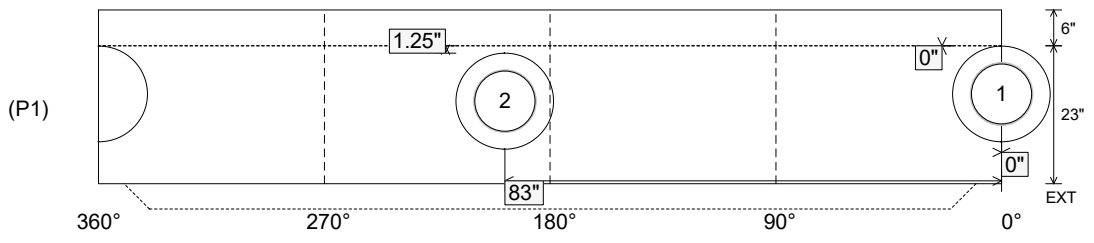
| Position | Elev | Angle | Ext. (cw) | Pipe | Pipe OD | Connector | Hole | Horz Size | Up () | Offset |
|----------|---------|-------|-----------|---------------|---------|--------------|------|-----------|--------|--------|
| Invert 1 | 451.61' | 0° | 0" | 10" PVC SDR35 | 10.5" | PSX 16Y NYLO | 16" | 16.312" | 0" | 0" |
| Invert 2 | 451.71' | 198° | 100.25" | 10" PVC SDR26 | 10.5" | PSX 16Y NYLO | 16" | 16.312" | 1.25" | 0" |
| Invert 3 | | | | | | | | | | |
| Invert 4 | | | | | | | | | | |
| Invert 5 | | | | | | | | | | |
| Invert 6 | | | | | | | | | | |
| Invert 7 | | | | | | | | | | |
| Invert 8 | | | | | | | | | | |

RIGHT-SIDE UP VIEW (int. dimensions)

UPSIDE-DOWN VIEW (int. dimensions)



INSIDE WALL DIMENSIONS



| | | | | |
|----------------------------------|---------------------------------|--|--|--|
| Coating (Int): Coating (Ext): | Seam Up: Tongue Seam Dn: n/a | Wall Thickness: 5" Floor Height: 6" | Height (Int): 23" Height (Ext): 29" | Weight (Net): 2765 lb Volume (Net): 0.71cu.yd |
|----------------------------------|---------------------------------|--|--|--|

Structure ID: B3.1

P1 MH048BAVFX

MH BASE Custom Ht, w/XYPEX T/n

| | | | | | | | | | | | | | | | | | | | | | | | | | |
|---|--|------|------------------|---------|-------------------------|---------|----------------------------------|------|-----------------------------------|------|---------------------------------|---------|----------------------------|------|------------------------------------|--------|-------------|------|---------------------------------------|-------|------------------------------|-------|--|------------------|---------|
| P3) 24" - CASTING HEIGHT - 7" P2) 48" - XYPEX MH FLAT TOP w/24" ECC Hole F/G - 12" P1) 48" - MH BASE Custom Ht, w/XYPEX T/n - 23" 1) JOINT WRAP PRIMER - CONSEAL CS-75 (1 gal.) 1) JOINT WRAP - 0.065"x12"x50' CONSEAL CS212 1) 48" - MH INVERT CHANNEL w/XYPEX - FULL HEIGHT 1) ADMIXTURE XYPEX C-1000 RED 1) CASTING - HOE MC-375-SS F/C Sanitary 1) 48" - Conseal CS-102 1.00" (Double) 2) PSX - 16Y NYLO | <table style="width:100%; border-collapse: collapse;"> <tr><td style="text-align: right;">0 lb</td><td>Structure Notes:</td></tr> <tr><td style="text-align: right;">2205 lb</td><td>STATION: 0+57.73 LN S-2</td></tr> <tr><td style="text-align: right;">2765 lb</td><td>1. PER ASTM C-478 SPECIFICATIONS</td></tr> <tr><td style="text-align: right;">0 lb</td><td>2. CONCRETE: 4,500 PSI AT 28 DAYS</td></tr> <tr><td style="text-align: right;">0 lb</td><td>3. REINFORCEMENT: PER ASTM A615</td></tr> <tr><td style="text-align: right;">1440 lb</td><td>4. INVERT CHANNEL REQUIRED</td></tr> <tr><td style="text-align: right;">0 lb</td><td>5. XYPEX C-1000 ADMIXTURE REQUIRED</td></tr> <tr><td style="text-align: right;">271 lb</td><td>6. NO STEPS</td></tr> <tr><td style="text-align: right;">0 lb</td><td>7. HOE MC-375 FRAME & SELF-SEAL COVER</td></tr> <tr><td style="text-align: right;">16 lb</td><td>"SANITARY" SUPPLIED BY ICAST</td></tr> <tr><td style="text-align: right;">-----</td><td></td></tr> <tr><td style="text-align: right;">Structure Total:</td><td>6697 lb</td></tr> </table> | 0 lb | Structure Notes: | 2205 lb | STATION: 0+57.73 LN S-2 | 2765 lb | 1. PER ASTM C-478 SPECIFICATIONS | 0 lb | 2. CONCRETE: 4,500 PSI AT 28 DAYS | 0 lb | 3. REINFORCEMENT: PER ASTM A615 | 1440 lb | 4. INVERT CHANNEL REQUIRED | 0 lb | 5. XYPEX C-1000 ADMIXTURE REQUIRED | 271 lb | 6. NO STEPS | 0 lb | 7. HOE MC-375 FRAME & SELF-SEAL COVER | 16 lb | "SANITARY" SUPPLIED BY ICAST | ----- | | Structure Total: | 6697 lb |
| 0 lb | Structure Notes: | | | | | | | | | | | | | | | | | | | | | | | | |
| 2205 lb | STATION: 0+57.73 LN S-2 | | | | | | | | | | | | | | | | | | | | | | | | |
| 2765 lb | 1. PER ASTM C-478 SPECIFICATIONS | | | | | | | | | | | | | | | | | | | | | | | | |
| 0 lb | 2. CONCRETE: 4,500 PSI AT 28 DAYS | | | | | | | | | | | | | | | | | | | | | | | | |
| 0 lb | 3. REINFORCEMENT: PER ASTM A615 | | | | | | | | | | | | | | | | | | | | | | | | |
| 1440 lb | 4. INVERT CHANNEL REQUIRED | | | | | | | | | | | | | | | | | | | | | | | | |
| 0 lb | 5. XYPEX C-1000 ADMIXTURE REQUIRED | | | | | | | | | | | | | | | | | | | | | | | | |
| 271 lb | 6. NO STEPS | | | | | | | | | | | | | | | | | | | | | | | | |
| 0 lb | 7. HOE MC-375 FRAME & SELF-SEAL COVER | | | | | | | | | | | | | | | | | | | | | | | | |
| 16 lb | "SANITARY" SUPPLIED BY ICAST | | | | | | | | | | | | | | | | | | | | | | | | |
| ----- | | | | | | | | | | | | | | | | | | | | | | | | | |
| Structure Total: | 6697 lb | | | | | | | | | | | | | | | | | | | | | | | | |

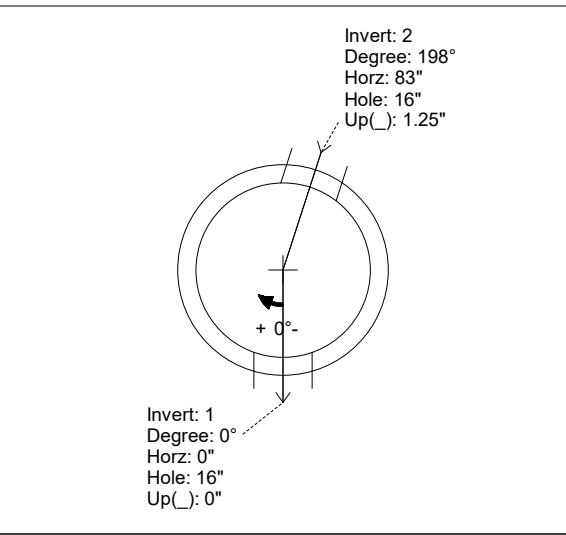
Structure Notes:
 STATION: 0+57.73 LN S-2
 1. PER ASTM C-478 SPECIFICATIONS
 2. CONCRETE: 4,500 PSI AT 28 DAYS
 3. REINFORCEMENT: PER ASTM A615
 4. INVERT CHANNEL REQUIRED
 5. XYPEX C-1000 ADMIXTURE REQUIRED
 6. NO STEPS
 7. HOE MC-375 FRAME & SELF-SEAL COVER
 "SANITARY" SUPPLIED BY ICAST

Rim: 455' Rim to Invert: 3.39' Slack: 1.68" Sump: 3" Step Position:

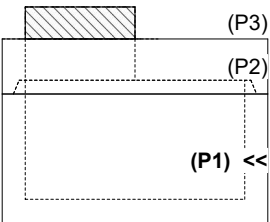
| Position | Elev | Angle | Ext. (cw) | Pipe | Pipe OD | Connector | Hole | Horz Size | Up () | Offset |
|----------|---------|-------|-----------|---------------|---------|--------------|------|-----------|--------|--------|
| Invert 1 | 451.61' | 0° | 0" | 10" PVC SDR35 | 10.5" | PSX 16Y NYLO | 16" | 16.312" | 0" | 0" |
| Invert 2 | 451.71' | 198° | 100.25" | 10" PVC SDR26 | 10.5" | PSX 16Y NYLO | 16" | 16.312" | 1.25" | 0" |
| Invert 3 | | | | | | | | | | |
| Invert 4 | | | | | | | | | | |
| Invert 5 | | | | | | | | | | |
| Invert 6 | | | | | | | | | | |
| Invert 7 | | | | | | | | | | |
| Invert 8 | | | | | | | | | | |

RIGHT-SIDE UP VIEW (int. dimensions)

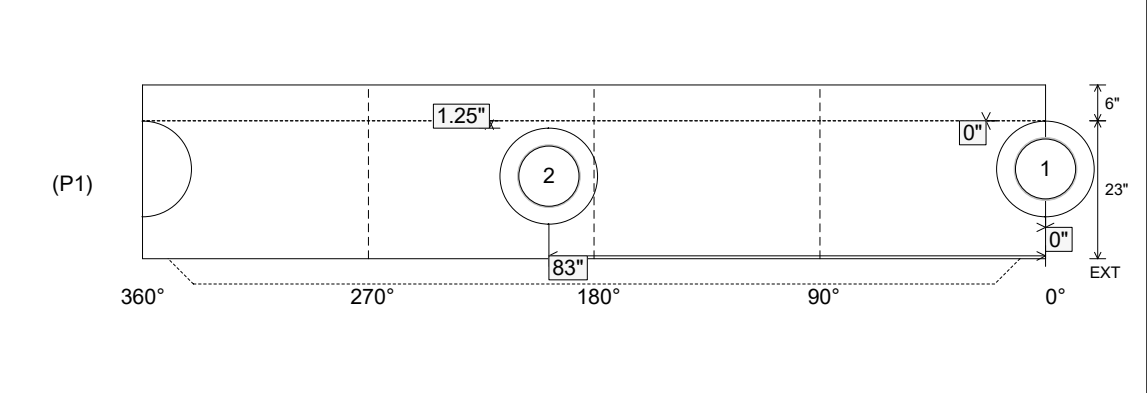
UPSIDE-DOWN VIEW (int. dimensions)



INVERT CHANNEL
 DRAWING



INSIDE WALL DIMENSIONS



| | | | | |
|----------------------------------|---------------------------------|--|--|--|
| Coating (Int): Coating (Ext): | Seam Up: Tongue Seam Dn: n/a | Wall Thickness: 5" Floor Height: 6" | Height (Int): 23" Height (Ext): 29" | Weight (Net): 2765 lb Volume (Net): 0.71cu.yd |
|----------------------------------|---------------------------------|--|--|--|