

Structure ID: B3

P1 MH048BAVFX

MH BASE Custom Ht, w/XYPEX T/n

- P4) 24" - CASTING HEIGHT - 7" 0 lb
- P3) 48" - XYPEX MH FLAT TOP w/24" ECC Hole F/G - 12" 2205 lb
- P2) 48" - MH RISER w/XYPEX T/G - 48" 3353 lb
- P1) 48" - MH BASE Custom Ht, w/XYPEX T/n - 32" 3308 lb
- 1) JOINT WRAP PRIMER - CONSEAL CS-75 (1 gal.) 0 lb
- 1) JOINT WRAP - 0.065"x12"x50' CONSEAL CS212 0 lb
- 1) 48" - MH INVERT CHANNEL w/XYPEX - FULL HEIGHT 1440 lb
- 1) ADMIXTURE XYPEX C-1000 RED 0 lb
- 1) CASTING - HOE MC-375-SS F/C Sanitary 271 lb
- 2) 48" - Conseal CS-102 1.00" (Double) 0 lb
- 3) PSX - 16Y NYLO 24 lb

Structure Total: 10602 lb

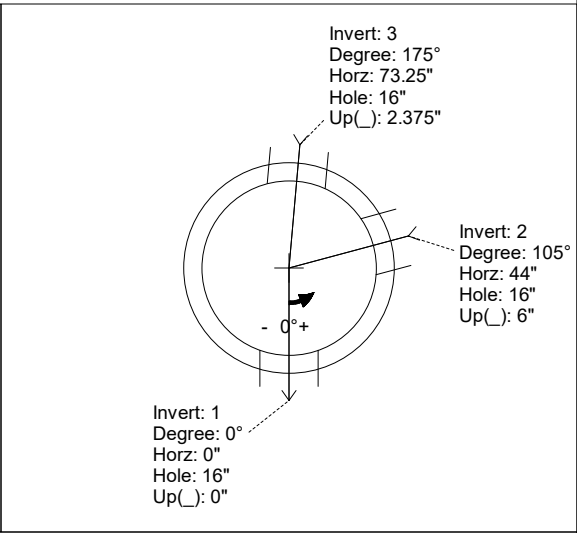
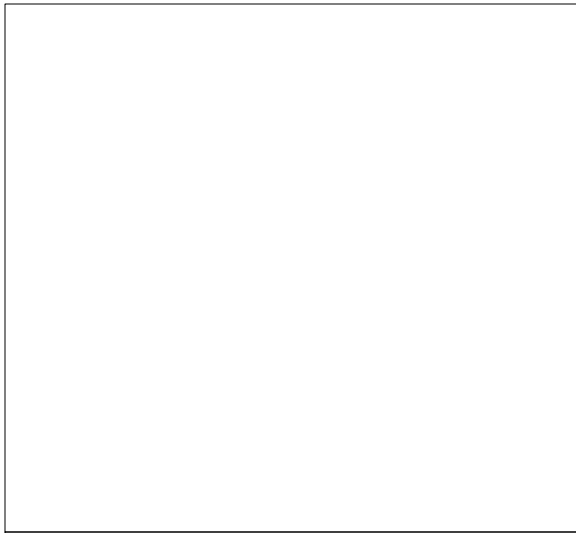
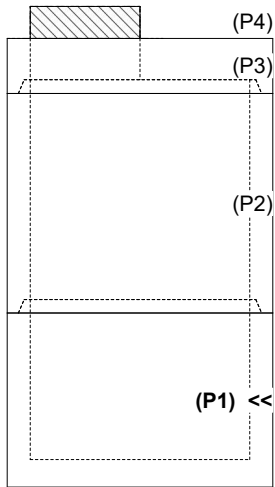
Structure Notes:
 STATION: 4+08.00 LN S-1
 1. PER ASTM C-478 SPECIFICATIONS
 2. CONCRETE: 4,500 PSI AT 28 DAYS
 3. REINFORCEMENT: PER ASTM A615
 4. INVERT CHANNEL REQUIRED
 5. XYPEX C-1000 ADMIXTURE REQUIRED
 6. NO STEPS
 7. HOE MC-375 FRAME & SELF-SEAL COVER
 "SANITARY" SUPPLIED BY ICAST

Rim: 454.18' Rim to Invert: 8.14' Slack: 1.68" Sump: 3" Step Position:

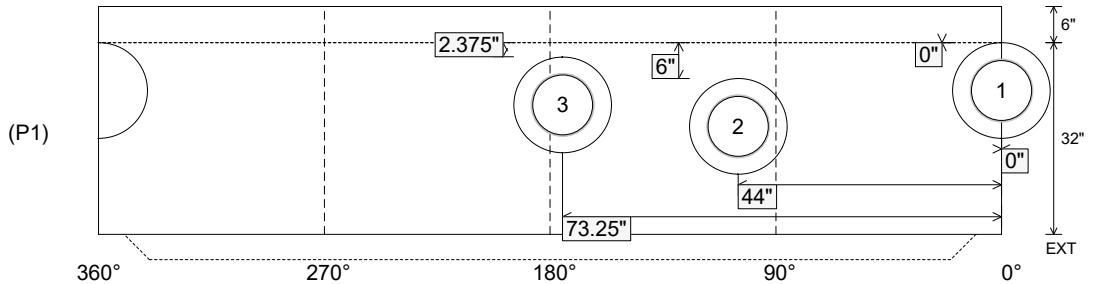
Position	Elev	Angle	Ext. (cw)	Pipe	Pipe OD	Connector	Hole	Horz Size	Up ()	Offset
Invert 1	446.04'	0°	0"	10" PVC SDR35	10.5"	PSX 16Y NYLO	16"	16.312"	0"	0"
Invert 2	446.54'	105°	53.125"	10" PVC SDR35	10.5"	PSX 16Y NYLO	16"	16.312"	6"	0"
Invert 3	446.24'	175°	88.625"	10" PVC SDR35	10.5"	PSX 16Y NYLO	16"	16.312"	2.375"	0"
Invert 4										
Invert 5										
Invert 6										
Invert 7										
Invert 8										

RIGHT-SIDE UP VIEW (int. dimensions)

UPSIDE-DOWN VIEW (int. dimensions)



INSIDE WALL DIMENSIONS



Coating (Int): Coating (Ext):	Seam Up: Tongue Seam Dn: n/a	Wall Thickness: 5" Floor Height: 6"	Height (Int): 32" Height (Ext): 38"	Weight (Net): 3308 lb Volume (Net): 0.84cu.yd
----------------------------------	---------------------------------	--	--	--

Job Name: 25-3480 - Noel Ave Sewer Improvements Ph 3
 Job Location: Madisonville, KY 42431
 Contractor: Luttrell & Sons, LLC

Plant: 100

Tech: J. Horsley - A

3/6/2026 6:37:19 AM

PC: Andy Chambers



Structure ID: B3

P1 MH048BAVFX

MH BASE Custom Ht, w/XYPEX T/n

- P4) 24" - CASTING HEIGHT - 7"
- P3) 48" - XYPEX MH FLAT TOP w/24" ECC Hole F/G - 12"
- P2) 48" - MH RISER w/XYPEX T/G - 48"
- P1) 48" - MH BASE Custom Ht, w/XYPEX T/n - 32"
- 1) JOINT WRAP PRIMER - CONSEAL CS-75 (1 gal.)
- 1) JOINT WRAP - 0.065"x12"x50' CONSEAL CS212
- 1) 48" - MH INVERT CHANNEL w/XYPEX - FULL HEIGHT
- 1) ADMIXTURE XYPEX C-1000 RED
- 1) CASTING - HOE MC-375-SS F/C Sanitary
- 2) 48" - Conseal CS-102 1.00" (Double)
- 3) PSX - 16Y NYLO

- 0 lb
- 2205 lb
- 3353 lb
- 3308 lb
- 0 lb
- 0 lb
- 1440 lb
- 0 lb
- 271 lb
- 0 lb
- 24 lb

Structure Total: 10602 lb

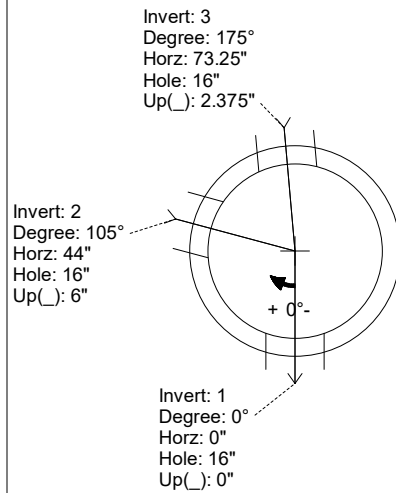
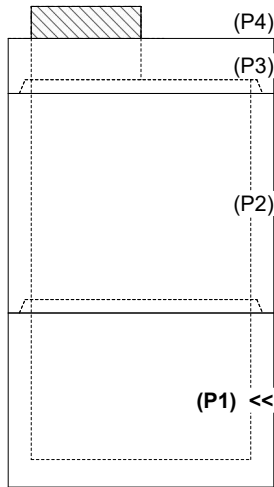
Structure Notes:
 STATION: 4+08.00 LN S-1
 1. PER ASTM C-478 SPECIFICATIONS
 2. CONCRETE: 4,500 PSI AT 28 DAYS
 3. REINFORCEMENT: PER ASTM A615
 4. INVERT CHANNEL REQUIRED
 5. XYPEX C-1000 ADMIXTURE REQUIRED
 6. NO STEPS
 7. HOE MC-375 FRAME & SELF-SEAL COVER
 "SANITARY" SUPPLIED BY ICAST

Rim: 454.18' Rim to Invert: 8.14' Slack: 1.68" Sump: 3" Step Position:

Position	Elev	Angle	Ext. (cw)	Pipe	Pipe OD	Connector	Hole	Horz Size	Up ()	Offset
Invert 1	446.04'	0°	0"	10" PVC SDR35	10.5"	PSX 16Y NYLO	16"	16.312"	0"	0"
Invert 2	446.54'	105°	53.125"	10" PVC SDR35	10.5"	PSX 16Y NYLO	16"	16.312"	6"	0"
Invert 3	446.24'	175°	88.625"	10" PVC SDR35	10.5"	PSX 16Y NYLO	16"	16.312"	2.375"	0"
Invert 4										
Invert 5										
Invert 6										
Invert 7										
Invert 8										

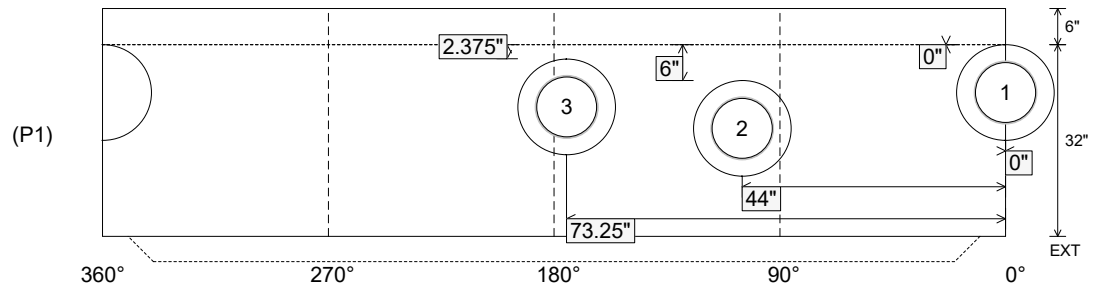
RIGHT-SIDE UP VIEW (int. dimensions)

UPSIDE-DOWN VIEW (int. dimensions)



INVERT CHANNEL DRAWING

INSIDE WALL DIMENSIONS



Coating (Int):
 Coating (Ext):

Seam Up: Tongue
 Seam Dn: n/a

Wall Thickness: 5"
 Floor Height: 6"

Height (Int): 32"
 Height (Ext): 38"

Weight (Net): 3308 lb
 Volume (Net): 0.84cu.yd