

**Job Name: 25-3480 - Noel Ave Sewer Improvements Ph 3**  
**Job Location: Madisonville, KY 42431**  
**Contractor: Luttrell & Sons, LLC**

PC: Andy Chambers  
 TECH: J. Horsley - A  
 Plant: 100



Structure ID: **B2**  
 Spec: Sanitary  
 Type: SAN.MH w/Xypex  
 Size: 48"

Rim: 454'  
 Invert: 445.15'  
 Rim to Invert: 8.85'

Sump: 3"  
 Floor (Top): 444.9'  
 Floor Height: 6"

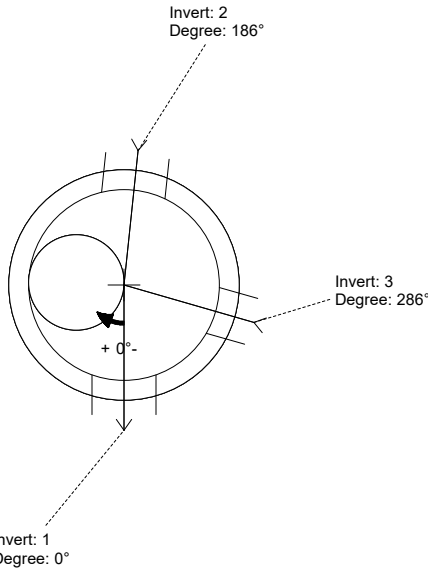
Floor (Bot): 444.4'  
 Overall Height: 9.5'  
 Slack: 1.2"

Structure Notes:

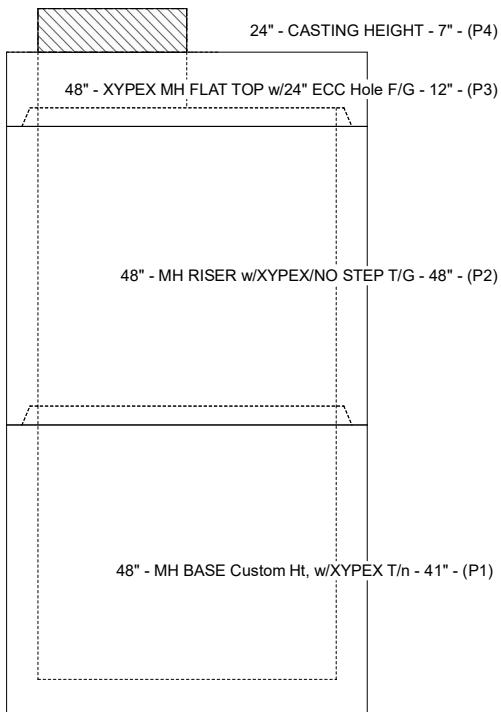
- STATION: 3+03.10 LN S-1
- PER ASTM C-478 SPECIFICATIONS
  - CONCRETE: 4,500 PSI AT 28 DAYS
  - REINFORCEMENT:
    - FLAT LID: #4 BAR @ 10" C.C. E.W. (GRADE 60)
    - BASE: PER ASTM A615
  - INVERT CHANNEL REQUIRED
  - XYPEX C-1000 ADMIXTURE REQUIRED
  - NO STEPS
  - HOE MC-375 FRAME & SELF-SEAL COVER "SANITARY" SUPPLIED BY ICAST

STRUCTURE SUMMARY:

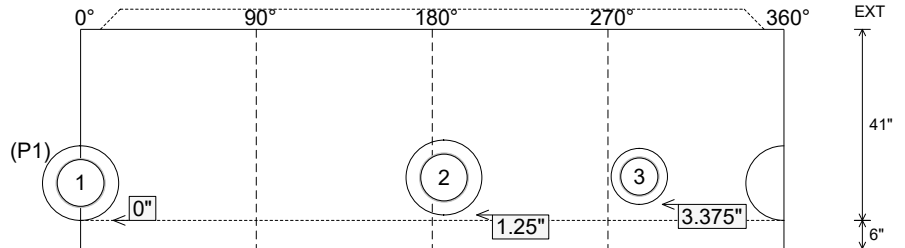
P4) 24" - CASTING HEIGHT - 7"	0 lb
P3) 48" - XYPEX MH FLAT TOP w/24" ECC Hole F/G - 12"	2205 lb
P2) 48" - MH RISER w/XYPEX/NO STEP T/G - 48"	3353 lb
P1) 48" - MH BASE Custom Ht, w/XYPEX T/n - 41"	3975 lb
1) JOINT WRAP PRIMER - CONSEAL CS-75 (1 gal.)	0 lb
1) JOINT WRAP - 0.065"x12"x50' CONSEAL CS212	0 lb
1) 48" - MH INVERT CHANNEL w/XYPEX - FULL HEIGHT	1440 lb
1) ADMIXTURE XYPEX C-1000 RED	0 lb
1) CASTING - HOE MC-375-SS F/C Sanitary	271 lb
2) 48" - Conseal CS-102 1.00" (Double)	0 lb
2) PSX - 16Y NYLO	16 lb
1) PSX - 12-08 NYLO	8 lb
<b>Structure Total:</b>	<b>11268 lb</b>



Position	Elev	Angle	Pipe	Pipe OD	Hole	Connector	Up (L)	Ref
Rim	454'							
Reducer								
Invert 1	445.15'	0°	10" PVC SDR35	10.5"	16"	PSX 16Y NYLO	0"	P1
Invert 2	445.25'	186°	10" PVC SDR35	10.5"	16"	PSX 16Y NYLO	1.25"	P1
Invert 3	445.35'	286°	8" PVC SDR26	8.5"	12"	PSX 12-08 NYLO	3.375"	P1
Invert 4								
Invert 5								
Invert 6								
Invert 7								
Invert 8								



Cast (Int. Dim.) - Interior Dimensions



Submittal Drawing  
 3/6/2026 5:53:55 AM

SUBMITTAL  
 APPROVED BY: