

Job Name: 25-3480 - Noel Ave Sewer Improvements Ph 3  
 Job Location: Madisonville, KY 42431  
 Contractor: Luttrell & Sons, LLC

Plant: 100

3/6/2026 6:38:04 AM

Tech: J. Horsley - A

PC: Andy Chambers



**Structure ID: B2**

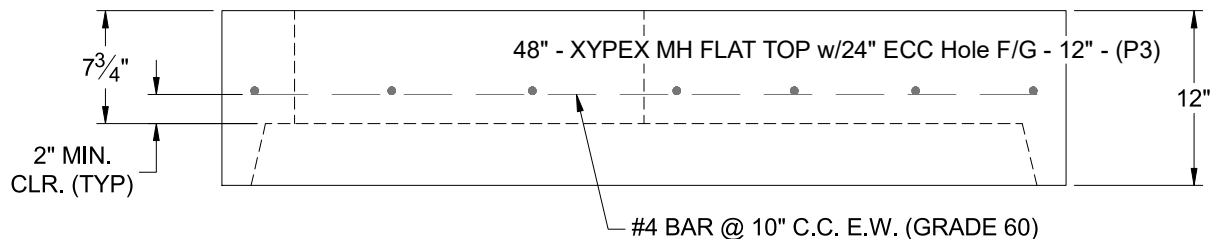
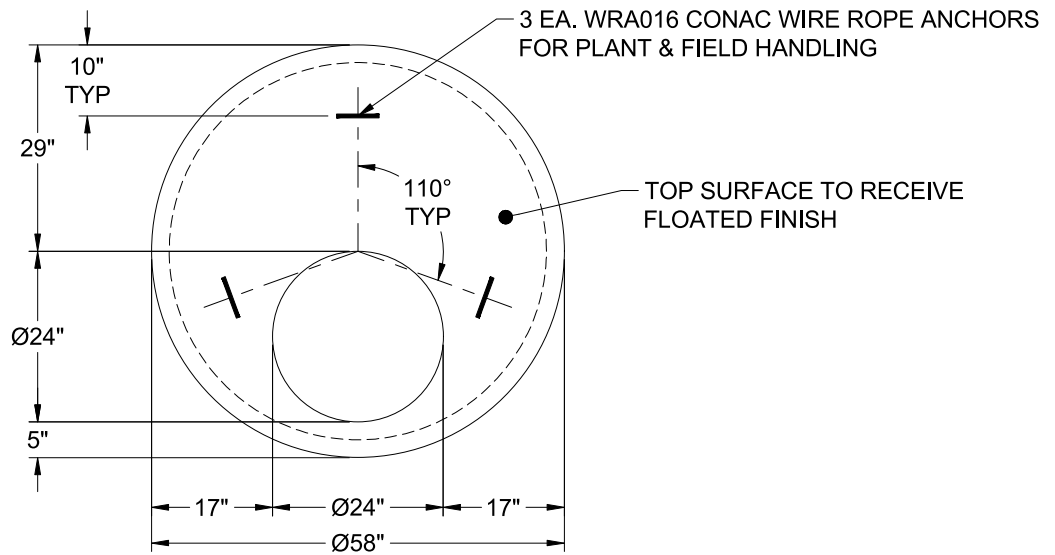
**P3 MH048LD12X**

**XYPEX MH FLAT TOP w/24" ECC Hole F/G**

- P4) 24" - CASTING HEIGHT - 7"
- P3) 48" - XYPEX MH FLAT TOP w/24" ECC Hole F/G - 12"
- P2) 48" - MH RISER w/XYPEX/NO STEP T/G - 48"
- P1) 48" - MH BASE Custom Ht, w/XYPEX T/n - 41"
- 1) JOINT WRAP PRIMER - CONSEAL CS-75 (1 gal.)
- 1) JOINT WRAP - 0.065"x12"x50' CONSEAL CS212
- 1) 48" - MH INVERT CHANNEL w/XYPEX - FULL HEIGHT
- 1) ADMIXTURE XYPEX C-1000 RED
- 1) CASTING - HOE MC-375-SS F/C Sanitary
- 2) 48" - Conseal CS-102 1.00" (Double)
- 2) PSX - 16Y NYLO
- 1) PSX - 12-08 NYLO

- 0 lb
- 2205 lb
- 3353 lb
- 3975 lb
- 0 lb
- 0 lb
- 0 lb
- 1440 lb
- 0 lb
- 271 lb
- 0 lb
- 16 lb
- 8 lb
- 
- Structure Total: 11268 lb

Structure Notes:  
 STATION: 3+03.10 LN S-1  
 1. PER ASTM C-478 SPECIFICATIONS  
 2. CONCRETE: 4,500 PSI AT 28 DAYS  
 3. REINFORCEMENT: #4 BAR @ 10" C.C. E.W. (GRADE 60) - 2" MIN. REBAR CLEARANCE (TYP)  
 4. XYPEX C-1000 ADMIXTURE REQUIRED  
 5. HOE MC-375 FRAME & SELF-SEAL COVER "SANITARY" SUPPLIED BY ICAST  
 6. LIFTERS: 3 EA. WRA016 CONAC WIRE ROPE ANCHORS FOR PLANT & FIELD HANDLING  
 7. TOP SURFACE TO RECEIVE LIGHT BRUSH FINISH



Coating (Int):  
 Coating (Ext):

Seam Up: Flat  
 Seam Dn: Groove

Wall Thickness: 5"

Height (Ext): 12"

Weight (Net): 2205 lb  
 Volume (Net): 0.56cu.yd