



Structure ID: B2

P1 MH048BAVFX

MH BASE Custom Ht, w/XYPEX T/n

P4) 24" - CASTING HEIGHT - 7" P3) 48" - XYPEX MH FLAT TOP w/24" ECC Hole F/G - 12" P2) 48" - MH RISER w/XYPEX/NO STEP T/G - 48" P1) 48" - MH BASE Custom Ht, w/XYPEX T/n - 41" 1) JOINT WRAP PRIMER - CONSEAL CS-75 (1 gal.) 1) JOINT WRAP - 0.065"x12"x50' CONSEAL CS212 1) 48" - MH INVERT CHANNEL w/XYPEX - FULL HEIGHT 1) ADMIXTURE XYPEX C-1000 RED 1) CASTING - HOE MC-375-SS F/C Sanitary 2) 48" - Conseal CS-102 1.00" (Double) 2) PSX - 16Y NYLO 1) PSX - 12-08 NYLO	<table style="width:100%; border-collapse: collapse;"> <tr><td style="text-align: right;">0 lb</td><td style="text-align: left;">Structure Notes:</td></tr> <tr><td style="text-align: right;">2205 lb</td><td style="text-align: left;">STATION: 3+03.10 LN S-1</td></tr> <tr><td style="text-align: right;">3353 lb</td><td style="text-align: left;">1. PER ASTM C-478 SPECIFICATIONS</td></tr> <tr><td style="text-align: right;">3975 lb</td><td style="text-align: left;">2. CONCRETE: 4,500 PSI AT 28 DAYS</td></tr> <tr><td style="text-align: right;">0 lb</td><td style="text-align: left;">3. REINFORCEMENT: PER ASTM A615</td></tr> <tr><td style="text-align: right;">0 lb</td><td style="text-align: left;">4. INVERT CHANNEL REQUIRED</td></tr> <tr><td style="text-align: right;">1440 lb</td><td style="text-align: left;">5. XYPEX C-1000 ADMIXTURE REQUIRED</td></tr> <tr><td style="text-align: right;">0 lb</td><td style="text-align: left;">6. NO STEPS</td></tr> <tr><td style="text-align: right;">271 lb</td><td style="text-align: left;">7. HOE MC-375 FRAME & SELF-SEAL COVER</td></tr> <tr><td style="text-align: right;">0 lb</td><td style="text-align: left;">"SANITARY" SUPPLIED BY ICAST</td></tr> <tr><td style="text-align: right;">16 lb</td><td></td></tr> <tr><td style="text-align: right;">8 lb</td><td></td></tr> <tr><td style="text-align: right;">-----</td><td></td></tr> <tr><td style="text-align: right;">Structure Total:</td><td style="text-align: left;">11268 lb</td></tr> </table>	0 lb	Structure Notes:	2205 lb	STATION: 3+03.10 LN S-1	3353 lb	1. PER ASTM C-478 SPECIFICATIONS	3975 lb	2. CONCRETE: 4,500 PSI AT 28 DAYS	0 lb	3. REINFORCEMENT: PER ASTM A615	0 lb	4. INVERT CHANNEL REQUIRED	1440 lb	5. XYPEX C-1000 ADMIXTURE REQUIRED	0 lb	6. NO STEPS	271 lb	7. HOE MC-375 FRAME & SELF-SEAL COVER	0 lb	"SANITARY" SUPPLIED BY ICAST	16 lb		8 lb		-----		Structure Total:	11268 lb
0 lb	Structure Notes:																												
2205 lb	STATION: 3+03.10 LN S-1																												
3353 lb	1. PER ASTM C-478 SPECIFICATIONS																												
3975 lb	2. CONCRETE: 4,500 PSI AT 28 DAYS																												
0 lb	3. REINFORCEMENT: PER ASTM A615																												
0 lb	4. INVERT CHANNEL REQUIRED																												
1440 lb	5. XYPEX C-1000 ADMIXTURE REQUIRED																												
0 lb	6. NO STEPS																												
271 lb	7. HOE MC-375 FRAME & SELF-SEAL COVER																												
0 lb	"SANITARY" SUPPLIED BY ICAST																												
16 lb																													
8 lb																													

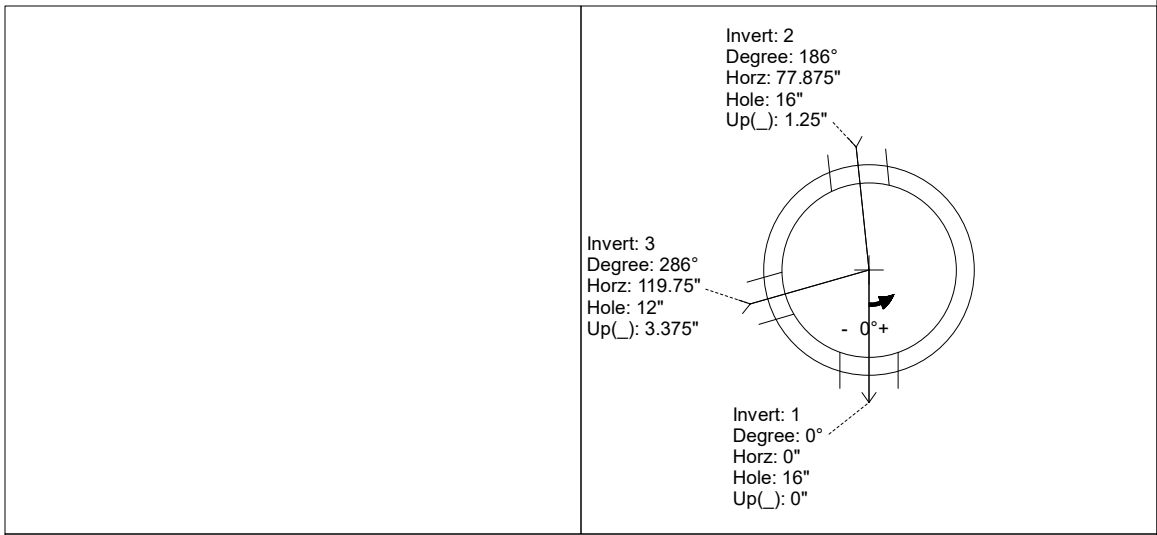
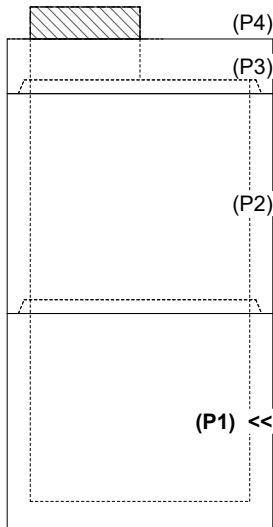
Structure Total:	11268 lb																												

Rim: 454' Rim to Invert: 8.85' Slack: 1.2" Sump: 3" Step Position:

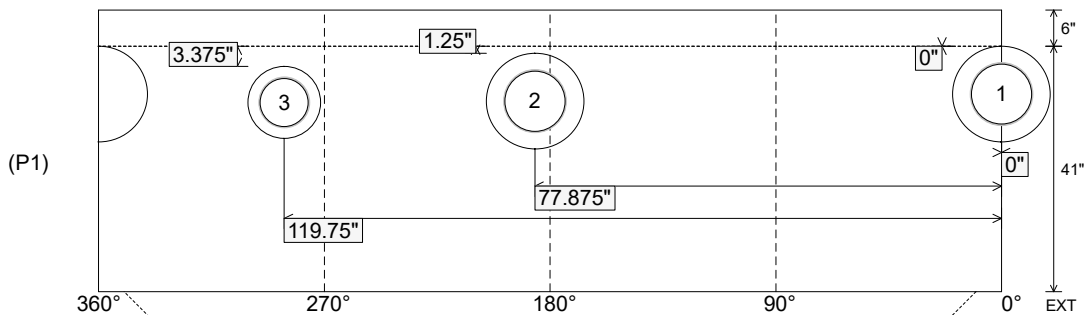
Position	Elev	Angle	Ext. (cw)	Pipe	Pipe OD	Connector	Hole	Horz Size	Up ()	Offset
Invert 1	445.15'	0°	0"	10" PVC SDR35	10.5"	PSX 16Y NYLO	16"	16.312"	0"	0"
Invert 2	445.25'	186°	94.125"	10" PVC SDR35	10.5"	PSX 16Y NYLO	16"	16.312"	1.25"	0"
Invert 3	445.35'	286°	144.75"	8" PVC SDR26	8.5"	PSX 12-08 NYLO	12"	12.129"	3.375"	0"
Invert 4										
Invert 5										
Invert 6										
Invert 7										
Invert 8										

RIGHT-SIDE UP VIEW (int. dimensions)

UPSIDE-DOWN VIEW (int. dimensions)



INSIDE WALL DIMENSIONS



Coating (Int): Coating (Ext):	Seam Up: Tongue Seam Dn: n/a	Wall Thickness: 5" Floor Height: 6"	Height (Int): 41" Height (Ext): 47"	Weight (Net): 3975 lb Volume (Net): 1.01cu.yd
----------------------------------	---------------------------------	--	--	--

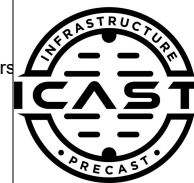
Job Name: 25-3480 - Noel Ave Sewer Improvements Ph 3
 Job Location: Madisonville, KY 42431
 Contractor: Luttrell & Sons, LLC

Plant: 100

Tech: J. Horsley - A

3/6/2026 6:37:18 AM

PC: Andy Chambers



Structure ID: B2

P1 MH048BAVFX

MH BASE Custom Ht, w/XYPEX T/n

- P4) 24" - CASTING HEIGHT - 7"
- P3) 48" - XYPEX MH FLAT TOP w/24" ECC Hole F/G - 12"
- P2) 48" - MH RISER w/XYPEX/NO STEP T/G - 48"
- P1) 48" - MH BASE Custom Ht, w/XYPEX T/n - 41"
- 1) JOINT WRAP PRIMER - CONSEAL CS-75 (1 gal.)
- 1) JOINT WRAP - 0.065"x12"x50' CONSEAL CS212
- 1) 48" - MH INVERT CHANNEL w/XYPEX - FULL HEIGHT
- 1) ADMIXTURE XYPEX C-1000 RED
- 1) CASTING - HOE MC-375-SS F/C Sanitary
- 2) 48" - Con Seal CS-102 1.00" (Double)
- 2) PSX - 16Y NYLO
- 1) PSX - 12-08 NYLO

0 lb
 2205 lb
 3353 lb
 3975 lb
 0 lb
 0 lb
 1440 lb
 0 lb
 271 lb
 0 lb
 16 lb
 8 lb

 Structure Total: 11268 lb

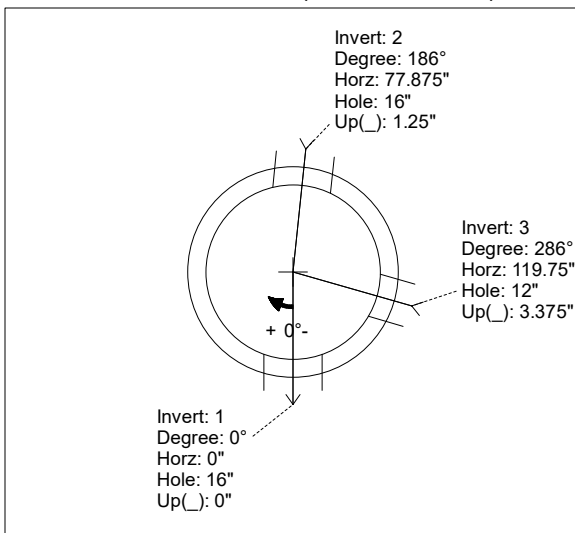
Structure Notes:
 STATION: 3+03.10 LN S-1
 1. PER ASTM C-478 SPECIFICATIONS
 2. CONCRETE: 4,500 PSI AT 28 DAYS
 3. REINFORCEMENT: PER ASTM A615
 4. INVERT CHANNEL REQUIRED
 5. XYPEX C-1000 ADMIXTURE REQUIRED
 6. NO STEPS
 7. HOE MC-375 FRAME & SELF-SEAL COVER
 "SANITARY" SUPPLIED BY ICAST

Rim: 454' Rim to Invert: 8.85' Slack: 1.2" Sump: 3" Step Position:

Position	Elev	Angle	Ext. (cw)	Pipe	Pipe OD	Connector	Hole	Horz Size	Up ()	Offset
Invert 1	445.15'	0°	0"	10" PVC SDR35	10.5"	PSX 16Y NYLO	16"	16.312"	0"	0"
Invert 2	445.25'	186°	94.125"	10" PVC SDR35	10.5"	PSX 16Y NYLO	16"	16.312"	1.25"	0"
Invert 3	445.35'	286°	144.75"	8" PVC SDR26	8.5"	PSX 12-08 NYLO	12"	12.129"	3.375"	0"
Invert 4										
Invert 5										
Invert 6										
Invert 7										
Invert 8										

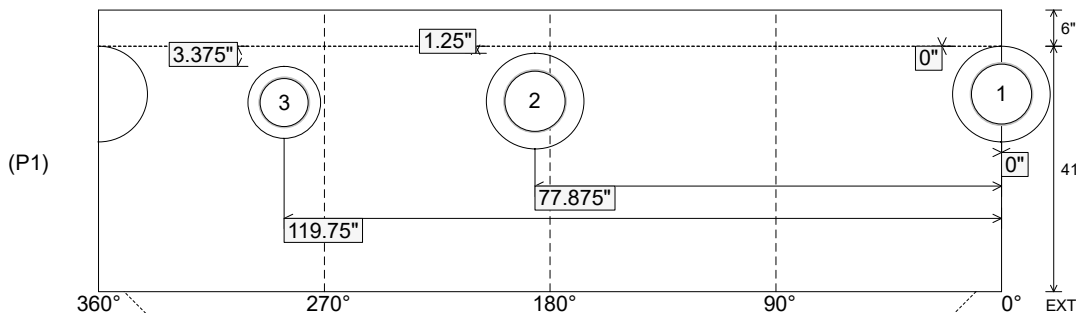
RIGHT-SIDE UP VIEW (int. dimensions)

UPSIDE-DOWN VIEW (int. dimensions)



INVERT CHANNEL DRAWING

INSIDE WALL DIMENSIONS



Coating (Int):
 Coating (Ext):

Seam Up: Tongue
 Seam Dn: n/a

Wall Thickness: 5"
 Floor Height: 6"

Height (Int): 41"
 Height (Ext): 47"

Weight (Net): 3975 lb
 Volume (Net): 1.01cu.yd