

**Job Name: 25-3480 - Noel Ave Sewer Improvements Ph 3**  
**Job Location: Madisonville, KY 42431**  
**Contractor: Luttrell & Sons, LLC**

PC: Andy Chambers  
 TECH: J. Horsley - A  
 Plant: 100



Structure ID: **B1**

Spec: Sanitary  
 Type: SAN.MH w/Xypex  
 Size: 48"

Rim: 453.16'  
 Invert: 444.03'  
 Rim to Invert: 9.13'

Sump: 3"  
 Floor (Top): 443.78'  
 Floor Height: 6"

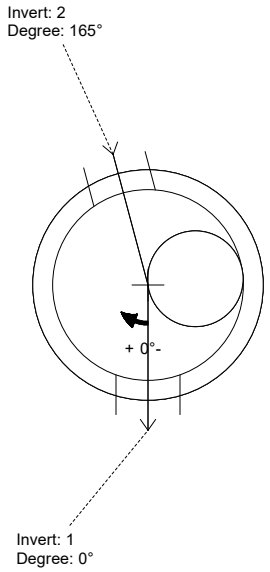
Floor (Bot): 443.28'  
 Overall Height: 9.583'  
 Slack: 3.56"

**Structure Notes:**

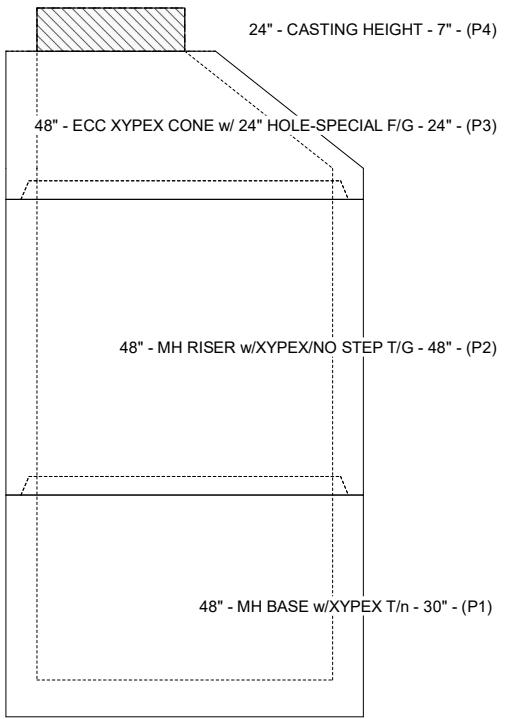
- STATION: 1+66.98 LN S-1
- 1. PER ASTM C-478 SPECIFICATIONS
- 2. CONCRETE: 4,500 PSI AT 28 DAYS
- 3. REINFORCEMENT: PER ASTM A615
- 4. INVERT CHANNEL REQUIRED
- 5. XYPEX C-1000 ADMIXTURE REQUIRED
- 6. NO STEPS
- 7. HOE MC-375 FRAME & SELF-SEAL COVER "SANITARY" SUPPLIED BY ICAST

**STRUCTURE SUMMARY:**

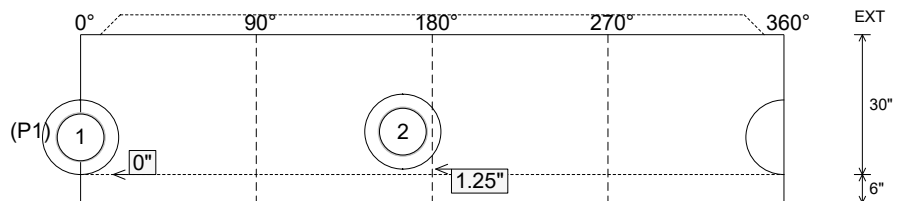
P4) 24" - CASTING HEIGHT - 7"	0 lb
P3) 48" - ECC XYPEX CONE w/ 24" HOLE-SPECIAL F/G - 24"	1740 lb
P2) 48" - MH RISER w/XYPEX/NO STEP T/G - 48"	3353 lb
P1) 48" - MH BASE w/XYPEX T/n - 30"	3255 lb
1) JOINT WRAP PRIMER - CONSEAL CS-75 (1 gal.)	0 lb
1) JOINT WRAP - 0.065"x12"x50' CONSEAL CS212	0 lb
1) 48" - MH INVERT CHANNEL w/XYPEX - FULL HEIGHT	1440 lb
1) ADMIXTURE XYPEX C-1000 RED	0 lb
1) CASTING - HOE MC-375-SS F/C Sanitary	271 lb
2) 48" - Conseal CS-102 1.00" (Double)	0 lb
2) PSX - 16Y NYLO	16 lb
<b>Structure Total:</b>	<b>10075 lb</b>



Position	Elev	Angle	Pipe	Pipe OD	Hole	Connector	Up (L)	Ref
Rim	453.16'							
Reducer								
Invert 1	444.03'	0°	10" PVC SDR26	10.5"	16"	PSX 16Y NYLO	0"	P1
Invert 2	444.13'	165°	10" PVC SDR26	10.5"	16"	PSX 16Y NYLO	1.25"	P1
Invert 3								
Invert 4								
Invert 5								
Invert 6								
Invert 7								
Invert 8								



**Cast (Int. Dim.) - Interior Dimensions**



Submittal Drawing  
 3/6/2026 5:53:54 AM

SUBMITTAL  
 APPROVED BY: