

Job Name: 25-3480 - Noel Ave Sewer Improvements Ph 3
 Job Location: Madisonville, KY 42431
 Contractor: Luttrell & Sons, LLC

Plant: 100

Tech: J. Horsley - A

3/6/2026 6:37:17 AM

PC: Andy Chambers



Structure ID: B1

P1 MH048BA30X

MH BASE w/XYPEX T/n

P4) 24" - CASTING HEIGHT - 7"	0 lb
P3) 48" - ECC XYPEX CONE w/ 24" HOLE-SPECIAL F/G - 24"	1740 lb
P2) 48" - MH RISER w/XYPEX/NO STEP T/G - 48"	3353 lb
P1) 48" - MH BASE w/XYPEX T/n - 30"	3255 lb
1) JOINT WRAP PRIMER - CONSEAL CS-75 (1 gal.)	0 lb
1) JOINT WRAP - 0.065"x12"x50' CONSEAL CS212	0 lb
1) 48" - MH INVERT CHANNEL w/XYPEX - FULL HEIGHT	1440 lb
1) ADMIXTURE XYPEX C-1000 RED	0 lb
1) CASTING - HOE MC-375-SS F/C Sanitary	271 lb
2) 48" - Conseal CS-102 1.00" (Double)	0 lb
2) PSX - 16Y NYLO	16 lb
Structure Total:	10075 lb

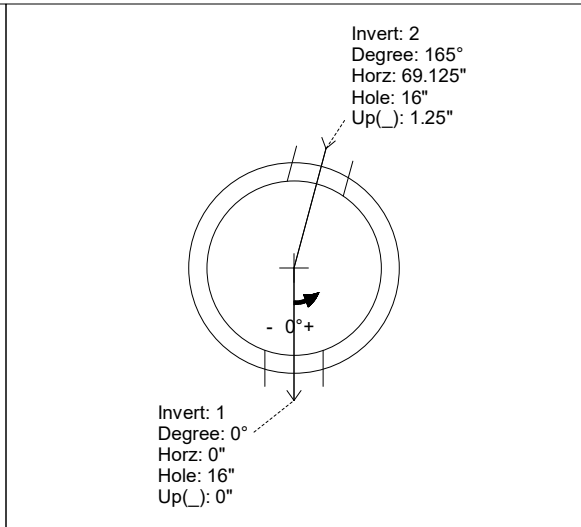
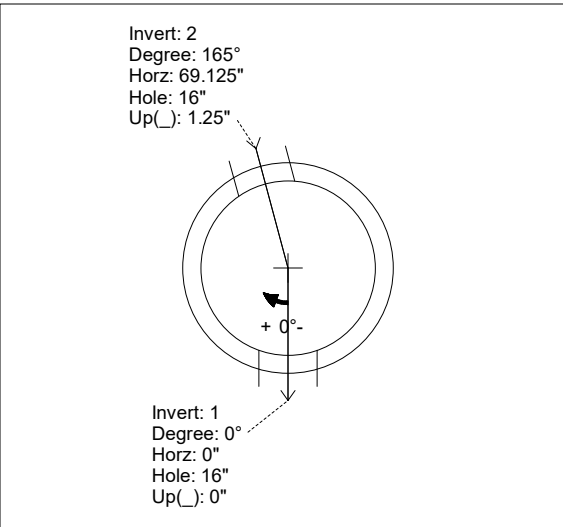
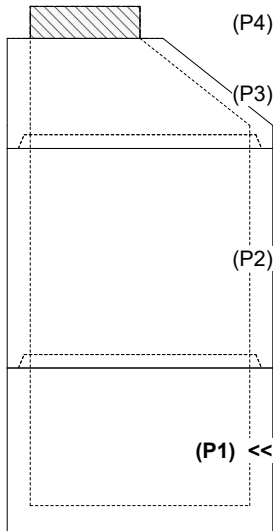
Structure Notes:
 STATION: 1+66.98 LN S-1
 1. PER ASTM C-478 SPECIFICATIONS
 2. CONCRETE: 4,500 PSI AT 28 DAYS
 3. REINFORCEMENT: PER ASTM A615
 4. INVERT CHANNEL REQUIRED
 5. XYPEX C-1000 ADMIXTURE REQUIRED
 6. NO STEPS
 7. HOE MC-375 FRAME & SELF-SEAL COVER
 "SANITARY" SUPPLIED BY ICAST

Rim: 453.16' Rim to Invert: 9.13' Slack: 3.56" Sump: 3" Step Position:

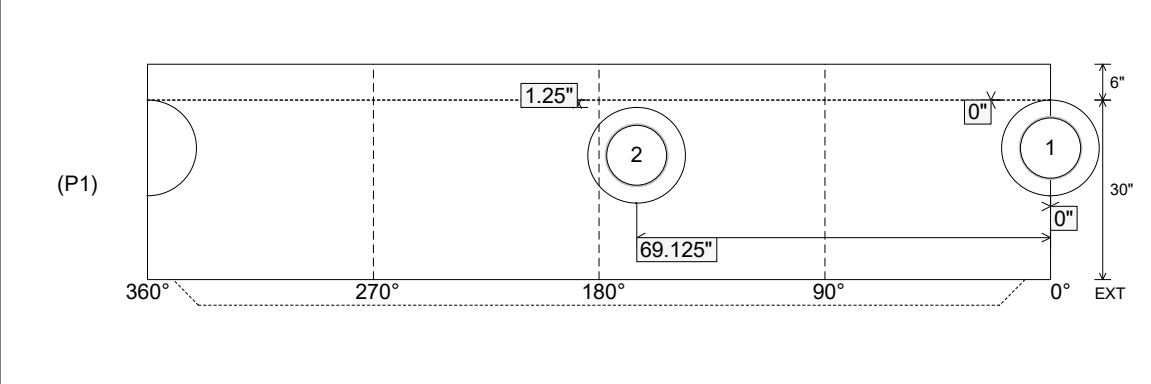
Position	Elev	Angle	Ext. (cw)	Pipe	Pipe OD	Connector	Hole	Horz Size	Up ()	Offset
Invert 1	444.03'	0°	0"	10" PVC SDR26	10.5"	PSX 16Y NYLO	16"	16.312"	0"	0"
Invert 2	444.13'	165°	83.5"	10" PVC SDR26	10.5"	PSX 16Y NYLO	16"	16.312"	1.25"	0"
Invert 3										
Invert 4										
Invert 5										
Invert 6										
Invert 7										
Invert 8										

RIGHT-SIDE UP VIEW (int. dimensions)

UPSIDE-DOWN VIEW (int. dimensions)



INSIDE WALL DIMENSIONS



Coating (Int): Coating (Ext):	Seam Up: Tongue Seam Dn: n/a	Wall Thickness: 5" Floor Height: 6"	Height (Int): 30" Height (Ext): 36"	Weight (Net): 3255 lb Volume (Net): 0.83cu.yd
----------------------------------	---------------------------------	--	--	--

Job Name: 25-3480 - Noel Ave Sewer Improvements Ph 3
 Job Location: Madisonville, KY 42431
 Contractor: Luttrell & Sons, LLC

Plant: 100

Tech: J. Horsley - A

3/6/2026 6:37:17 AM

PC: Andy Chambers



Structure ID: B1

P1 MH048BA30X

MH BASE w/XYPEX T/n

P4) 24" - CASTING HEIGHT - 7"	0 lb
P3) 48" - ECC XYPEX CONE w/ 24" HOLE-SPECIAL F/G - 24"	1740 lb
P2) 48" - MH RISER w/XYPEX/NO STEP T/G - 48"	3353 lb
P1) 48" - MH BASE w/XYPEX T/n - 30"	3255 lb
1) JOINT WRAP PRIMER - CONSEAL CS-75 (1 gal.)	0 lb
1) JOINT WRAP - 0.065"x12"x50' CONSEAL CS212	0 lb
1) 48" - MH INVERT CHANNEL w/XYPEX - FULL HEIGHT	1440 lb
1) ADMIXTURE XYPEX C-1000 RED	0 lb
1) CASTING - HOE MC-375-SS F/C Sanitary	271 lb
2) 48" - Conseal CS-102 1.00" (Double)	0 lb
2) PSX - 16Y NYLO	16 lb
Structure Total:	10075 lb

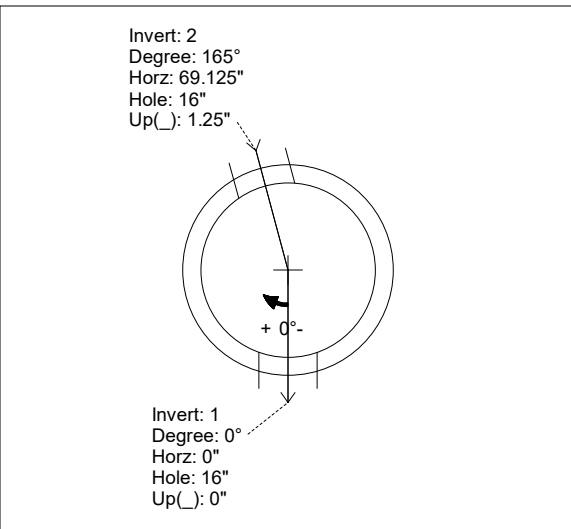
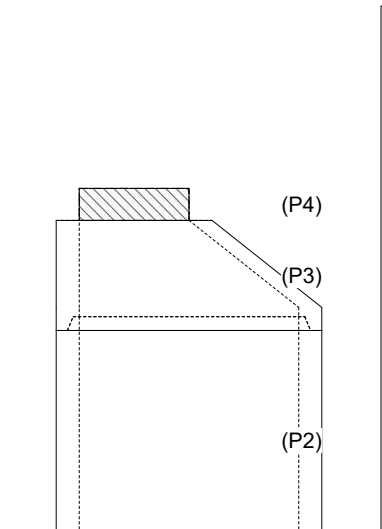
Structure Notes:
 STATION: 1+66.98 LN S-1
 1. PER ASTM C-478 SPECIFICATIONS
 2. CONCRETE: 4,500 PSI AT 28 DAYS
 3. REINFORCEMENT: PER ASTM A615
 4. INVERT CHANNEL REQUIRED
 5. XYPEX C-1000 ADMIXTURE REQUIRED
 6. NO STEPS
 7. HOE MC-375 FRAME & SELF-SEAL COVER
 "SANITARY" SUPPLIED BY ICAST

Rim: 453.16' Rim to Invert: 9.13' Slack: 3.56" Sump: 3" Step Position:

Position	Elev	Angle	Ext. (cw)	Pipe	Pipe OD	Connector	Hole	Horz Size	Up ()	Offset
Invert 1	444.03'	0°	0"	10" PVC SDR26	10.5"	PSX 16Y NYLO	16"	16.312"	0"	0"
Invert 2	444.13'	165°	83.5"	10" PVC SDR26	10.5"	PSX 16Y NYLO	16"	16.312"	1.25"	0"
Invert 3										
Invert 4										
Invert 5										
Invert 6										
Invert 7										
Invert 8										

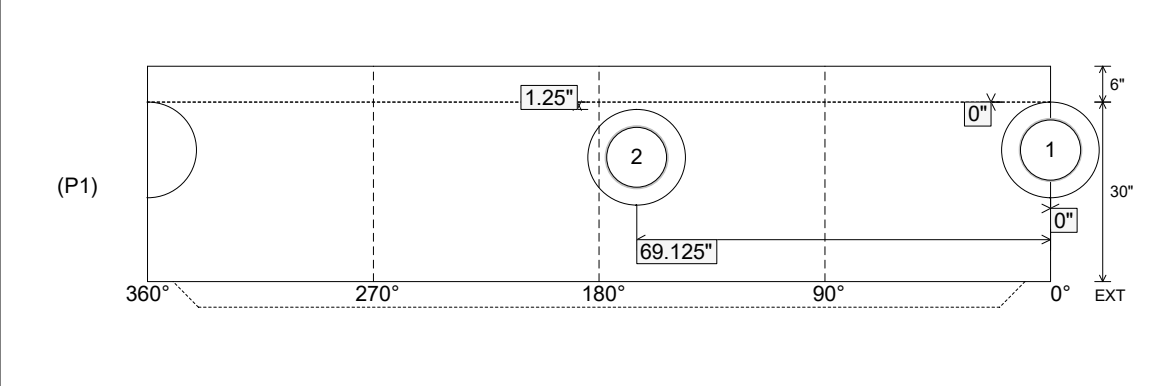
RIGHT-SIDE UP VIEW (int. dimensions)

UPSIDE-DOWN VIEW (int. dimensions)



INVERT CHANNEL
DRAWING

INSIDE WALL DIMENSIONS



Coating (Int): Coating (Ext):	Seam Up: Tongue Seam Dn: n/a	Wall Thickness: 5" Floor Height: 6"	Height (Int): 30" Height (Ext): 36"	Weight (Net): 3255 lb Volume (Net): 0.83cu.yd
----------------------------------	---------------------------------	--	--	--