

Job Name: 25-3480 - Noel Ave Sewer Improvements Ph 3  
 Job Location: Madisonville, KY 42431  
 Contractor: Luttrell & Sons, LLC

Plant: 100

3/6/2026 6:38:03 AM

Tech: J. Horsley - A

PC: Andy Chambers



**Structure ID: 32+28**

**P2 MH060LD13X**

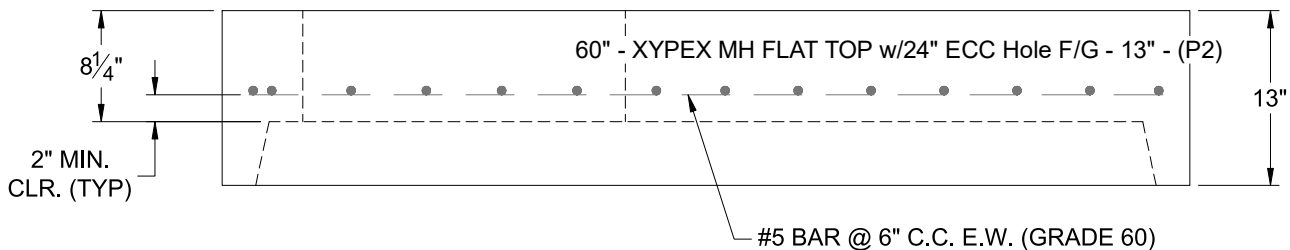
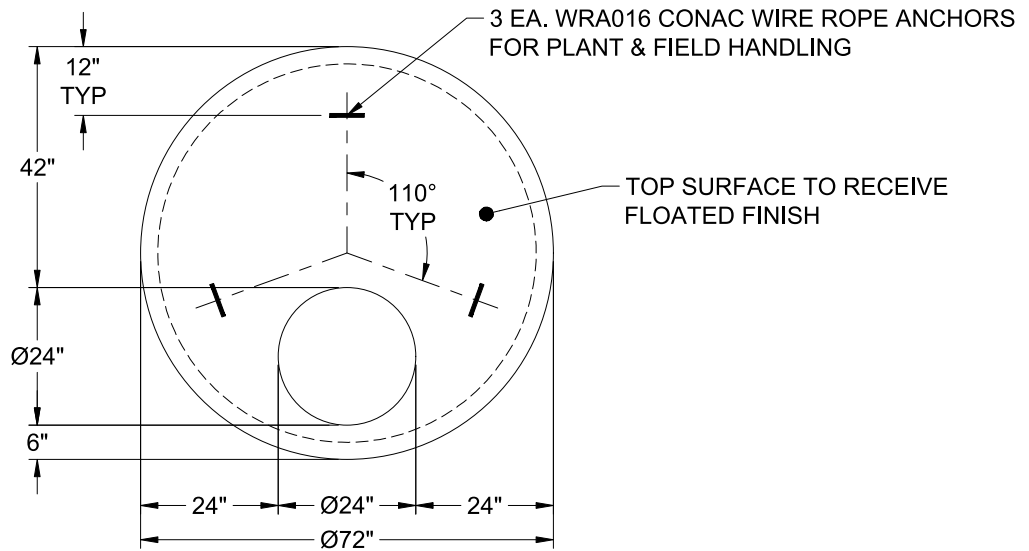
**XYPEX MH FLAT TOP w/24" ECC Hole F/G**

- P3) 24" - CASTING HEIGHT - 7"
- P2) 60" - XYPEX MH FLAT TOP w/24" ECC Hole F/G - 13"
- P1) 60" - MH BASE w/FLANGE (12F/07EF) w/Xypex T/n - 67"
- 1) SECONDARY POUR - Extended Flange
- 1) ADMIXTURE XYPEX C-1000 RED
- 1) CASTING - HOE MC-375-SS F/C Sanitary
- 1) 60" - Conseal CS-102 1.00" (Double)
- 2) Hole - 16

0 lb  
 2701 lb  
 10813 lb  
 0 lb  
 0 lb  
 271 lb  
 0 lb  
 0 lb  
 -----  
 Structure Total: 13785 lb

Structure Notes:

1. PER ASTM C-478 SPECIFICATIONS
2. CONCRETE: 4,500 PSI AT 28 DAYS
3. REINFORCEMENT: #5 BAR @ 6" C.C. E.W. (GRADE 60) - 2" MIN. REBAR CLEARANCE (TYP)
4. XYPEX C-1000 ADMIXTURE REQUIRED
5. HOE MC-375 FRAME & SELF-SEAL COVER "SANITARY" SUPPLIED BY ICAST
6. LIFTERS: 3 EA. WRA016 CONAC WIRE ROPE ANCHORS FOR PLANT & FIELD HANDLING
7. TOP SURFACE TO RECEIVE LIGHT BRUSH FINISH



Coating (Int):  
 Coating (Ext):

Seam Up: Flat  
 Seam Dn: Groove

Wall Thickness: 6"

Height (Ext): 13"

Weight (Net): 2701 lb  
 Volume (Net): 0.69cu.yd