

Job Name: 25-3480 - Noel Ave Sewer Improvements Ph 3  
 Job Location: Madisonville, KY 42431  
 Contractor: Luttrell & Sons, LLC

Plant: 100

3/6/2026 6:37:25 AM

Tech: J. Horsley - A

PC: Andy Chambers



**Structure ID: 16-53480 (3)**

**P1 CTS**

**CUST. BASE SLAB (SOLID) F/F**

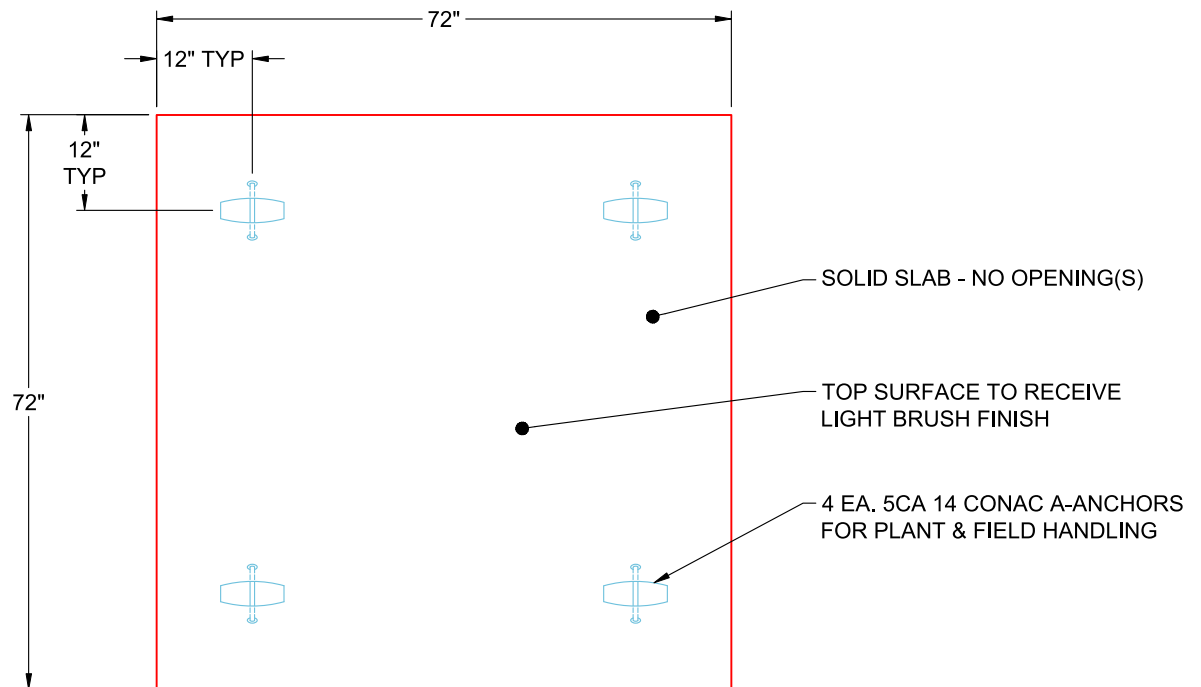
P1) 72" x 72" - CUST. BASE SLAB (SOLID) F/F - 8"

Structure Total: 3480 lb

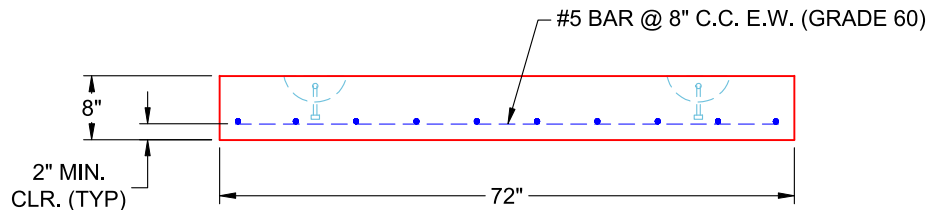
Structure Notes:

1. PER ASTM C-913 SPECIFICATIONS
2. CONCRETE: 4,500 PSI AT 28 DAYS
3. REINFORCEMENT: #5 BAR @ 8" C.C. E.W. (GRADE 60) - 2" MIN. REBAR CLEARANCE (TYP)
4. LIFTERS: 4 EA. 5CA14 CONAC A-ANCHORS FOR PLANT & FIELD HANDLING
5. TOP SURFACE TO RECEIVE LIGHT BRUSH FINISH

Rim: 0' Rim to Invert: 0' Slack: 0" Sump: 0" Step Position:



**PLAN VIEW  
(RIGHT SIDE UP)**



**FRONT VIEW  
(RIGHT SIDE UP)**

Coating (Int):  
Coating (Ext):

Seam Up: Flat  
Seam Dn: Flat

Wall Thickness: 0"  
Floor Height: 0"

Height (Int): 8"  
Height (Ext): 8"

Weight (Net): 3480 lb  
Volume (Net): 0.89cu.yd