

Job Name: 25-3479 - Phase 24 Wastewater System Improvements  
 Job Location: Columbia, KY  
 Contractor: Cumberland Pipeline LLC

Plant: 100  
 3/23/2026 1:51:20 PM

Tech: J. Horsley - F  
 PC: E. Bradley

**Structure ID: Majestic V.V.**

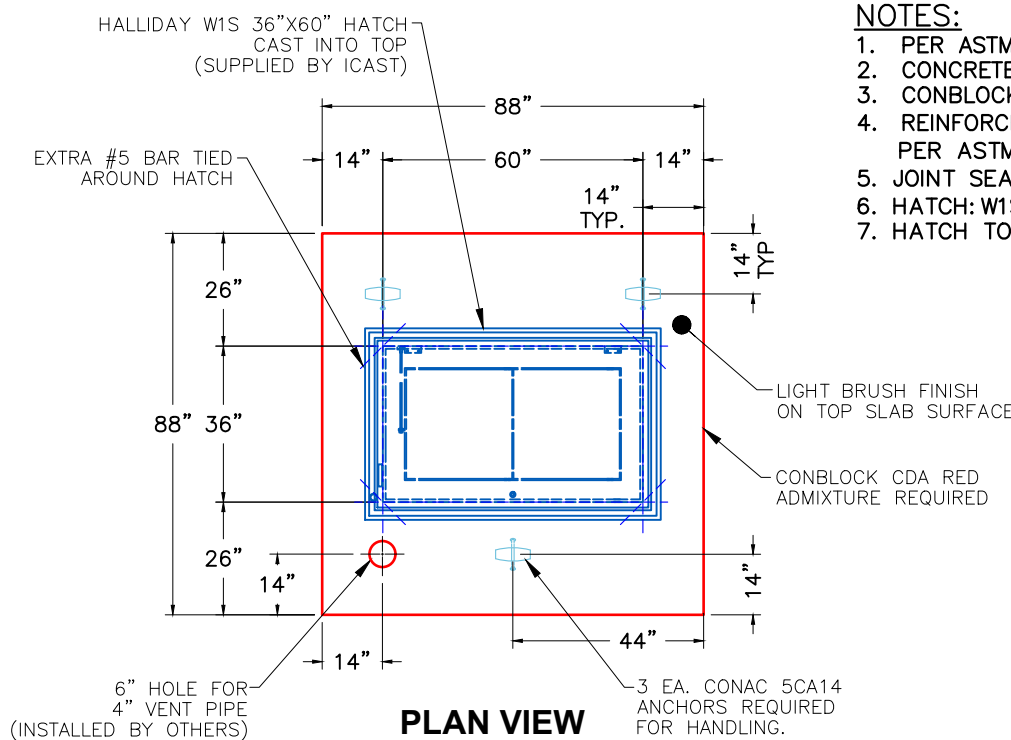
**P2 BX072072-08LD08-SP**

**CB FLAT TOP 8"W w/36"x60" HATCH w/ConBlock-CDA Red F/F**

- P2) 72" x 72" - CB FLAT TOP 8"W w/36"x60" HATCH w/ConBlock-CDA Red F/F - 8"
- P1) 72" x 72" - BX BASE w/FLANGE 08W/08F/06EF w/ConBlock-CDA Red F/n - 64"
- 1) ADMIXTURE CONBLOCK CDA RED
- 1) HATCH (Alum.) - HALLIDAY W1S 36"x60"
- 1) 72" x 72" - Conseal CS-102 1.00" (Double)
- 1) 36" x 60" - Conseal CS-102 1.00" (Double)
- 3) A-Lok - 0225
- 1) A-Lok - 0160

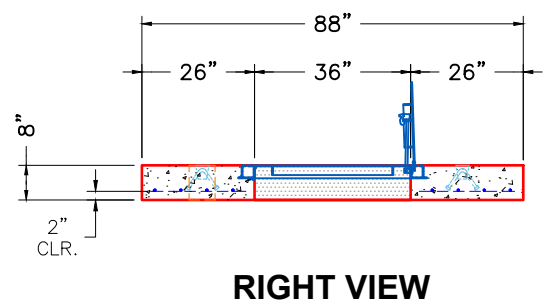
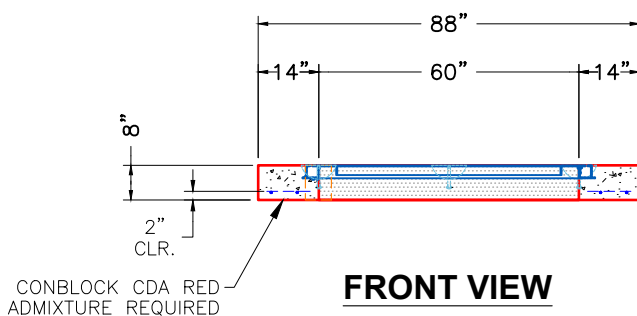
3749 lb  
 20353 lb  
 0 lb  
 116 lb  
 0 lb  
 0 lb  
 3 lb  
 1 lb  
 -----  
 Structure Total: 24222 lb

**Structure Notes:**  
 1. PER ASTM C913 SPECIFICATIONS.  
 2. CONCRETE = 4,000 PSI AT 28 DAYS.  
 3. ADMIXTURE = CONBLOCK CDA RED.  
 4. NO STEPS & NO INVERT CHANNEL.  
 5. CASTING BY ICAST (HALLIDAY W1S 36"x60")  
 REINFORCING PER ASTM A615 (GRADE 60).  
 - TOP SLAB (As .62) #5 BARS AT 6" C.C.E.W..  
 - RISER/WALLS (As .47) #5 BARS AT 8" C.C.E.W..  
 - FLOOR (As .47) #5 BARS AT 8" C.C.E.W.



**NOTES:**

1. PER ASTM C913 LATEST REVISION
2. CONCRETE: 4,000 PSI AT 28 DAYS.
3. CONBLOCK CDA RED ADMIXTURE REQUIRED
4. REINFORCEMENT: #5 BAR @ 6" C.C.E.W. PER ASTM A615 (GRADE 60)
5. JOINT SEALANT - 1" CS-102-DOUBLE
6. HATCH: W1S 36"X60" HATCH IS PROVIDED BY ICAST.
7. HATCH TO BE CAST INTO TOP SLAB.



Coating (Int):  
 Coating (Ext):

Seam Up: Flat  
 Seam Dn: Flat

Wall Thickness: 8"

Height (Ext): 8"

Weight (Net): 3749 lb  
 Volume (Net): 0.96cu.yd