

**Job Name: 25-3479 - Phase 24 Wastewater System Improvements**  
**Job Location: Columbia, KY**  
**Contractor: Cumberland Pipeline LLC**

PC: E. Bradley  
 TECH: J. Copping - F  
 Plant: 100



Structure ID: A-6

Spec: Sanitary  
 Type: SAN.MH w/ConBlock-CDA Red  
 Size: 48"

Rim: 707.87'  
 Invert: 702.87'  
 Rim to Invert: 5'

Sump: 2"  
 Floor (Top): 702.703'  
 Floor Height: 8"

Floor (Bot): 702.037'  
 Overall Height: 5.75'  
 Slack: 1"

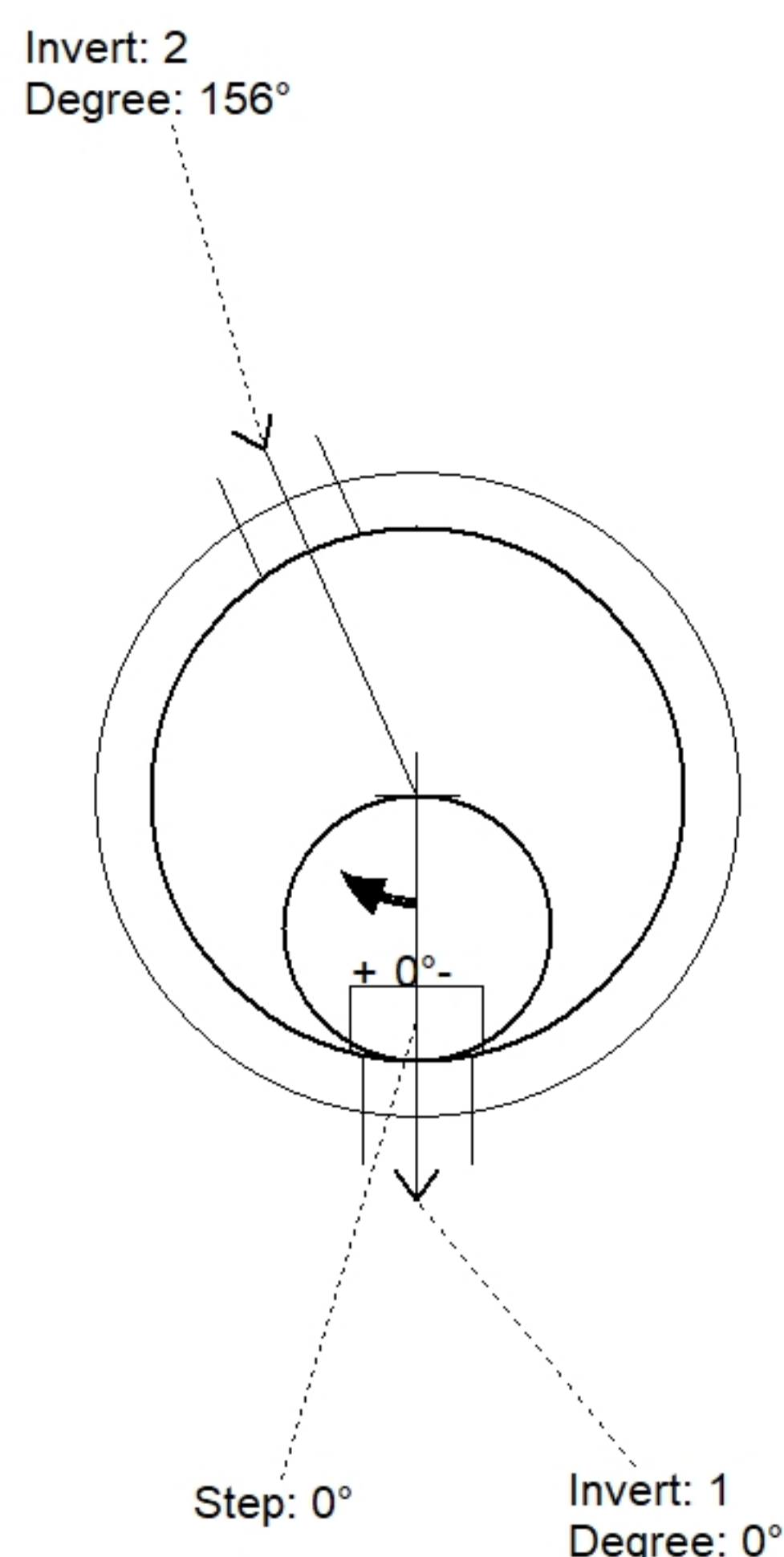
**Structure Notes:**

1. PER ASTM C478 SPECIFICATIONS.
2. CONCRETE = 4,000 PSI AT 28 DAYS.
3. ADMIXTURE = CONBLOCK CDA RED.
4. CASTING BY ICAST (HOE MC-375 F/C SANITARY)
5. 8.5" EXTERNAL CHIMNEY SEAL BY ICAST.

- REINFORCING PER ASTM A615 (GRADE 60).
- TOP SLAB = H20 LOADING.
  - RISER/WALLS (As .12)
  - FLOOR (As .31) #5 BARS AT 12" C.C.E.W.

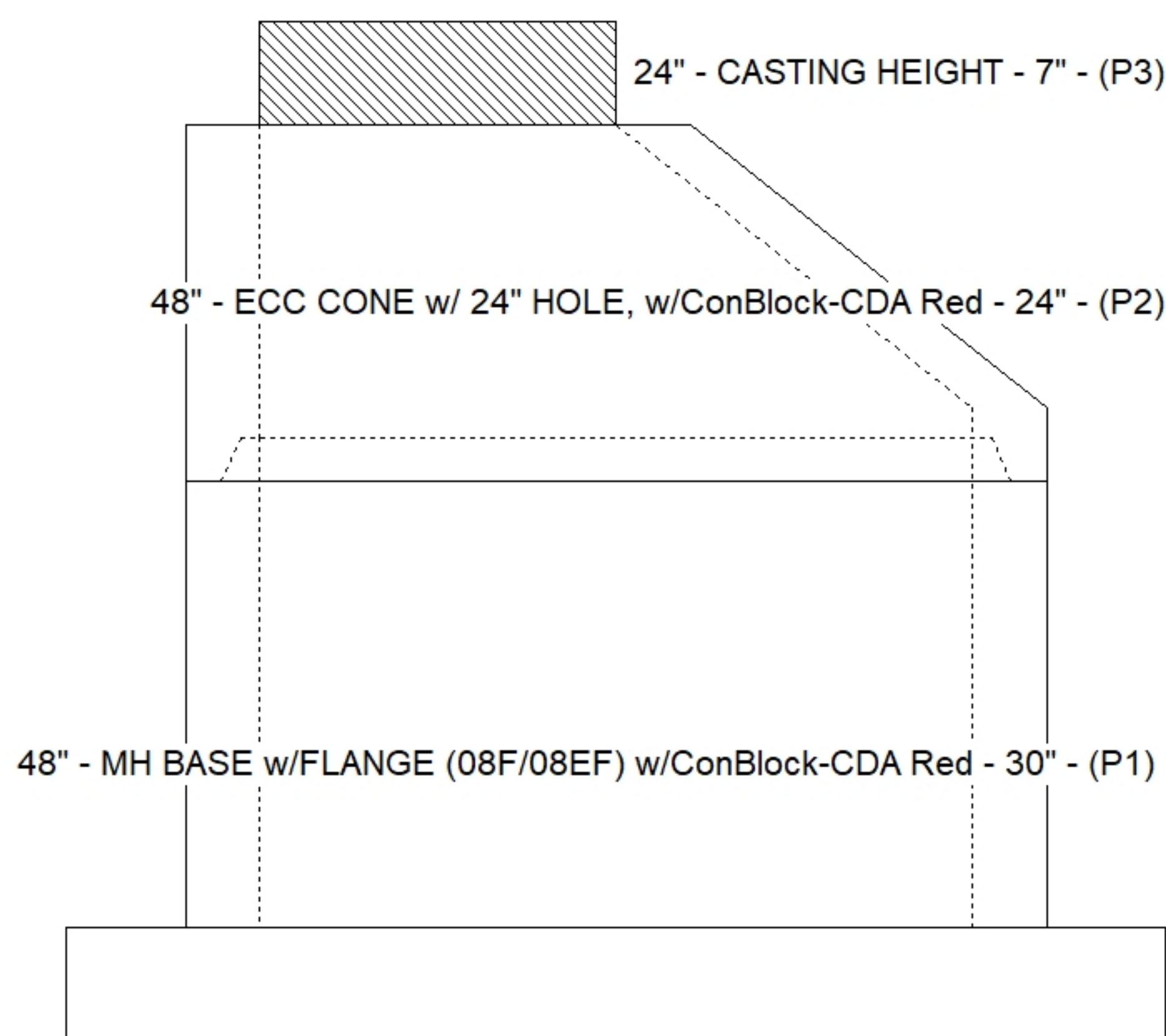
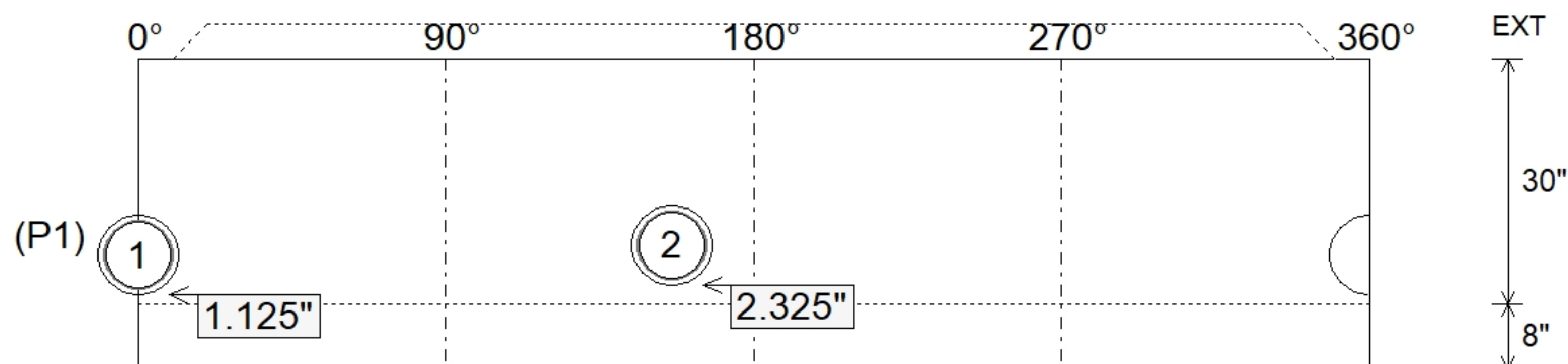
**STRUCTURE SUMMARY:**

P3) 24" - CASTING HEIGHT - 7"	0 lb
P2) 48" - ECC CONE w/ 24" HOLE, w/ConBlock-CDA Red - 24"	1738 lb
P1) 48" - MH BASE w/FLANGE (08F/08EF) w/ConBlock-CDA Red - 30"	4920 lb
1) ADMIXTURE CONBLOCK CDA RED	0 lb
1) 48" - MH INVERT CHANNEL w/ConBlock-CDA Red - FULL HEIGHT	1440 lb
1) JOINT WRAP - 0.065"x6"x50' CONSEAL CS212	0 lb
1) JOINT WRAP PRIMER - CONSEAL CS-75 (1 gal.)	0 lb
1) CASTING - HOE MC-375 F/C Sanitary	271 lb
1) 48" - Conseal CS-102 1.00"	0 lb
2) A-Lok - 0285	2 lb
4) MH Step ML-10-TDS-NCR - 10"	0 lb
<b>Structure Total:</b>	<b>8371 lb</b>



Position	Elev	Angle	Pipe	Pipe OD	Hole	Connector	Up (")	Ref
Rim	707.87'							
Reducer								
Invert 1	702.87'	0°	8" PVC SDR35	8.5"	9.75"	A-Lok 0285	1.125"	P1
Invert 2	702.97'	156°	8" PVC SDR35	8.5"	9.75"	A-Lok 0285	2.325"	P1
Invert 3								
Invert 4								
Invert 5								
Invert 6								
Invert 7								
Invert 8								

**Default - Interior Dimensions**



Submittal Drawing  
 3/31/2026 10:28:31 AM

SUBMITTAL  
 APPROVED BY: