

**Job Name: 25-3479 - Phase 24 Wastewater System Improvements**

**Job Location: Columbia, KY**

**Contractor: Cumberland Pipeline LLC**

PC: E. Bradley

TECH: J. Copping - F

Plant: 100



Structure ID: A-2

Spec: Sanitary

Type: SAN.MH w/Ext. Drop/ConBlock-CDA Red

Size: 48"

Rim: 691.76'  
Invert: 684.25'  
Rim to Invert: 7.51'

Sump: 2"  
Floor (Top): 684.083'  
Floor Height: 8"

Floor (Bot): 683.417'  
Overall Height: 7.917'  
Slack: 5.12"

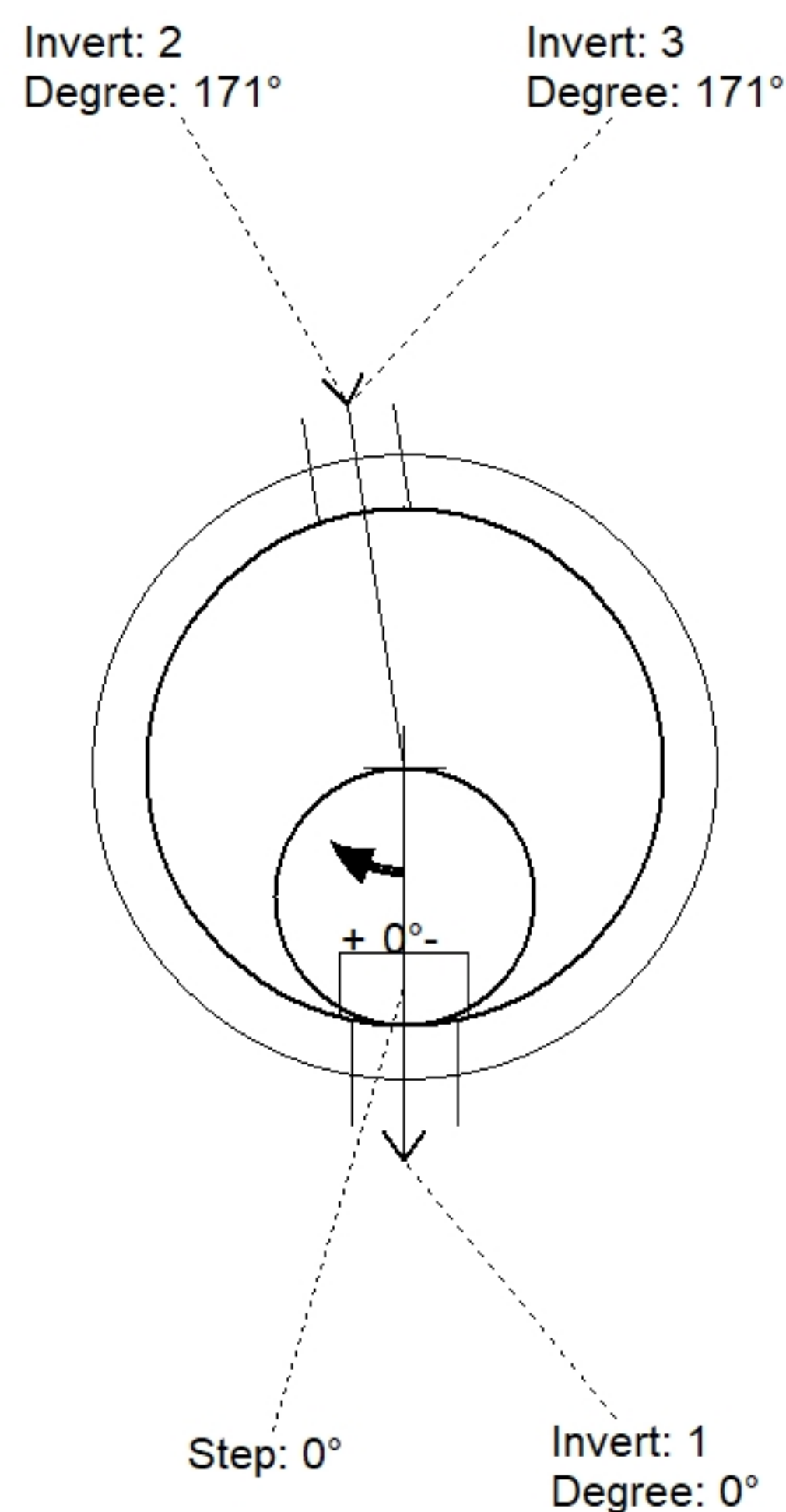
**Structure Notes:**

1. PER ASTM C478 SPECIFICATIONS.
2. CONCRETE = 4,000 PSI AT 28 DAYS.
3. ADMIXTURE = CONBLOCK CDA RED.
4. CASTING BY ICAST (HOE MC-375 F/C SANITARY)
5. 8.5" EXTERNAL CHIMNEY SEAL BY ICAST.
6. EXTRENAL DROP ASSEMBLY @171

REINFORCING PER ASTM A615 (GRADE 60).  
- CONE (As .12)  
- RISER/WALLS (As .12)  
- FLOOR (As .31) #5 BARS AT 12" C.C.E.W.

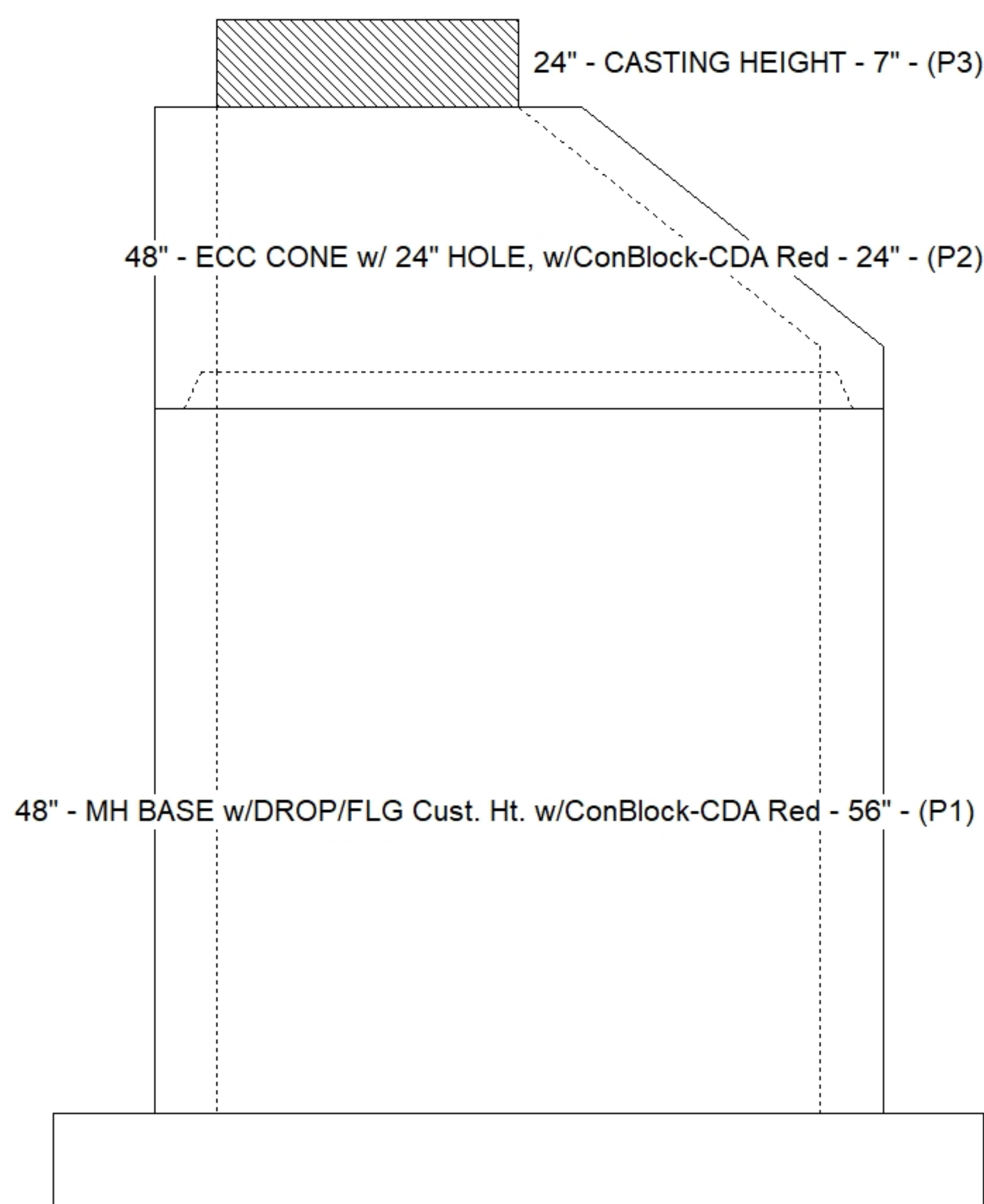
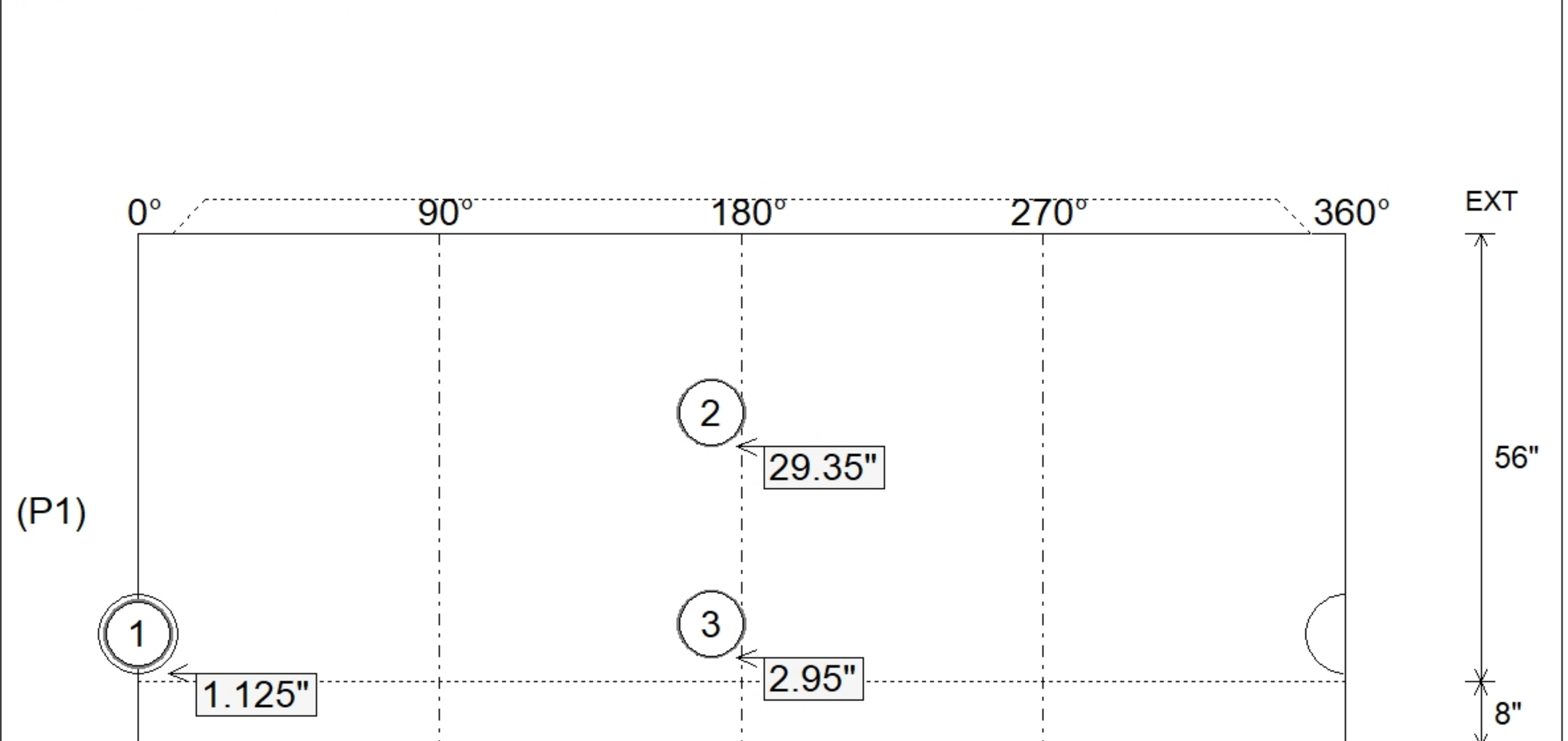
**STRUCTURE SUMMARY:**

P3) 24" - CASTING HEIGHT - 7"	0 lb
P2) 48" - ECC CONE w/ 24" HOLE, w/ConBlock-CDA Red - 24"	1738 lb
P1) 48" - MH BASE w/DROP/FLG Cust. Ht. w/ConBlock-CDA Red - 56"	8943 lb
1) ADMIXTURE CONBLOCK CDA RED	0 lb
1) 48" - MH INVERT CHANNEL w/ConBlock-CDA Red - FULL HEIGHT	1440 lb
1) JOINT WRAP PRIMER - CONSEAL CS-75 (1 gal.)	0 lb
1) JOINT WRAP - 0.065"x6"x50' CONSEAL CS212	0 lb
1) SECONDARY POUR - EXT FLANGE	0 lb
1) CASTING - HOE MC-375 F/C Sanitary	271 lb
1) 48" - Conseal CS-102 1.00" (Double)	0 lb
1) A-Lok - 0285	1 lb
1) Drop Tee - 8" PVC	0 lb
1) Drop Elbow - 8" PVC	0 lb
7) MH Step ML-10-TDS-NCR - 10"	0 lb
<b>Structure Total:</b>	<b>12393 lb</b>



Position	Elev	Angle	Pipe	Pipe OD	Hole	Connector	Up (")	Ref
Rim	691.76'							
Reducer								
Invert 1	684.25'	0°	8" PVC SDR35	8.5"	9.75"	A-Lok 0285	1.125"	P1
Invert 2	686.55'	171°	8" PVC SDR35	8.5"	8.5"	Drop Tee 8" PVC	29.35"	P1
Invert 3	684.35'	171°	8" PVC SDR35	8.5"	8.5"	Drop Elbow 8" PVC	2.95"	P1
Invert 4								
Invert 5								
Invert 6								
Invert 7								
Invert 8								

**Default - Interior Dimensions**



Submittal Drawing  
3/31/2026 10:28:30 AM

SUBMITTAL  
APPROVED BY: