

Job Name: 25-3479 - Phase 24 Wastewater System Improvements
Job Location: Columbia, KY
Contractor: Cumberland Pipeline LLC

PC: E. Bradley
 TECH: J. Coppage - F
 Plant: 100



Structure ID: **A-10**
 Spec: Sanitary
 Type: SAN.MH w/ConBlock-CDA Red
 Size: 48"

Rim: 720.82'
 Invert: 712.6'
 Rim to Invert: 8.22'

Sump: 2"
 Floor (Top): 712.433'
 Floor Height: 8"

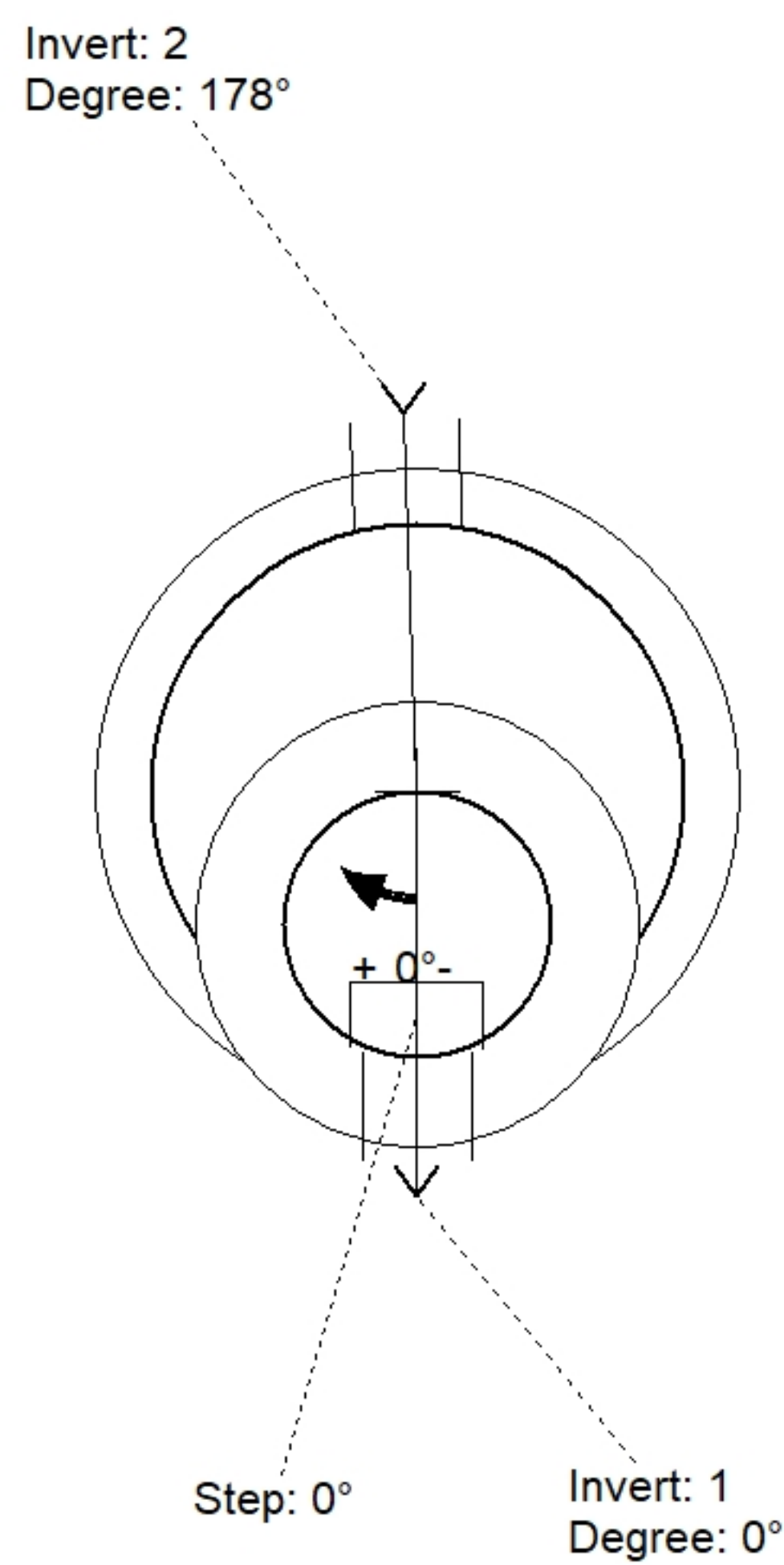
Floor (Bot): 711.767'
 Overall Height: 9'
 Slack: 0.64"

Structure Notes:
 1. PER ASTM C478 SPECIFICATIONS.
 2. CONCRETE = 4,000 PSI AT 28 DAYS.
 3. ADMIXTURE = CONBLOCK CDA RED.
 4. CASTING BY ICAST (HOE MC-375 F/C SANITARY)
 5. 8.5" EXTERNAL CHIMNEY SEAL BY ICAST.

REINFORCING PER ASTM A615 (GRADE 60).
 - CONE (As .12)
 - RISER/WALLS (As .12)
 - FLOOR (As .31) #5 BARS AT 12" C.C.E.W.

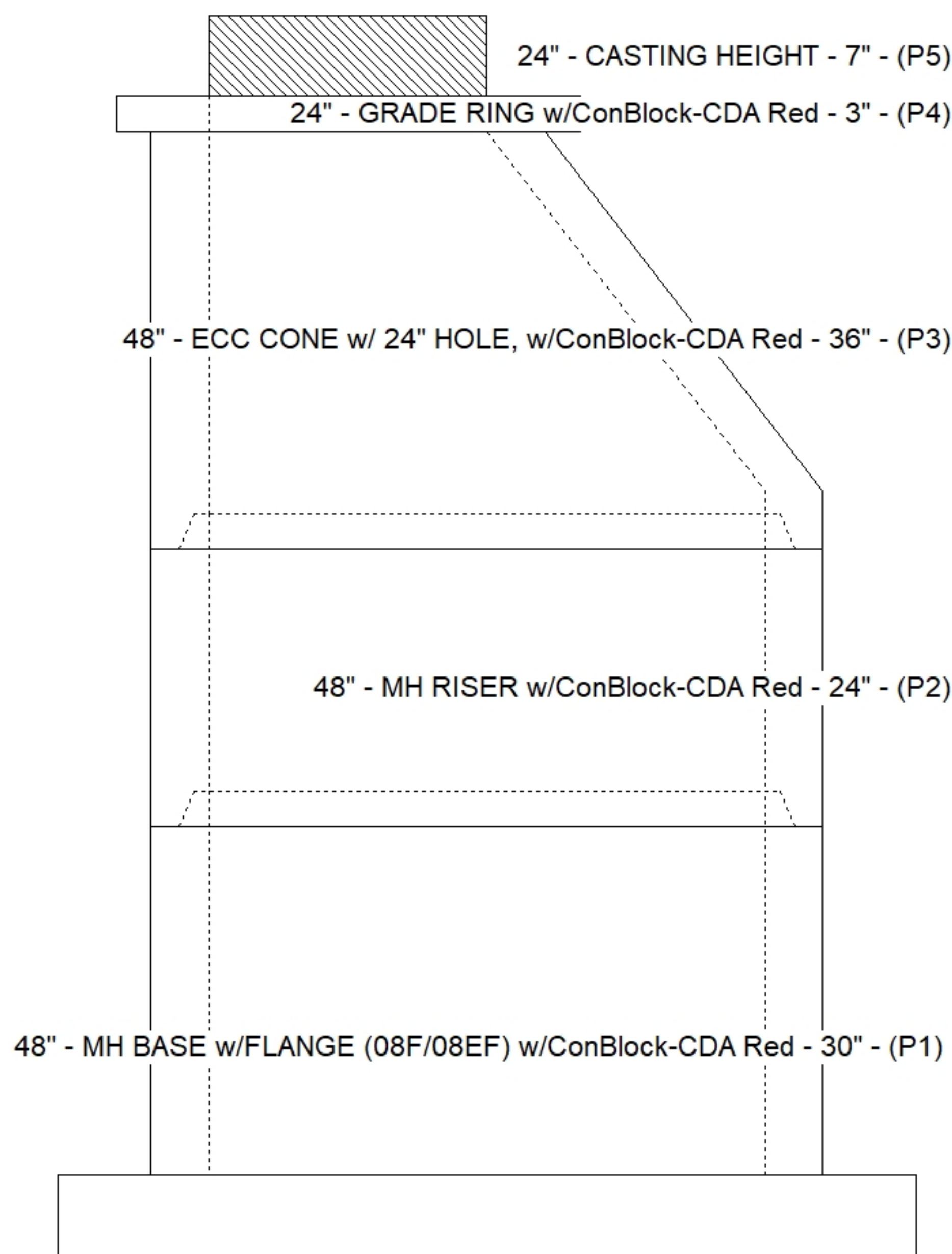
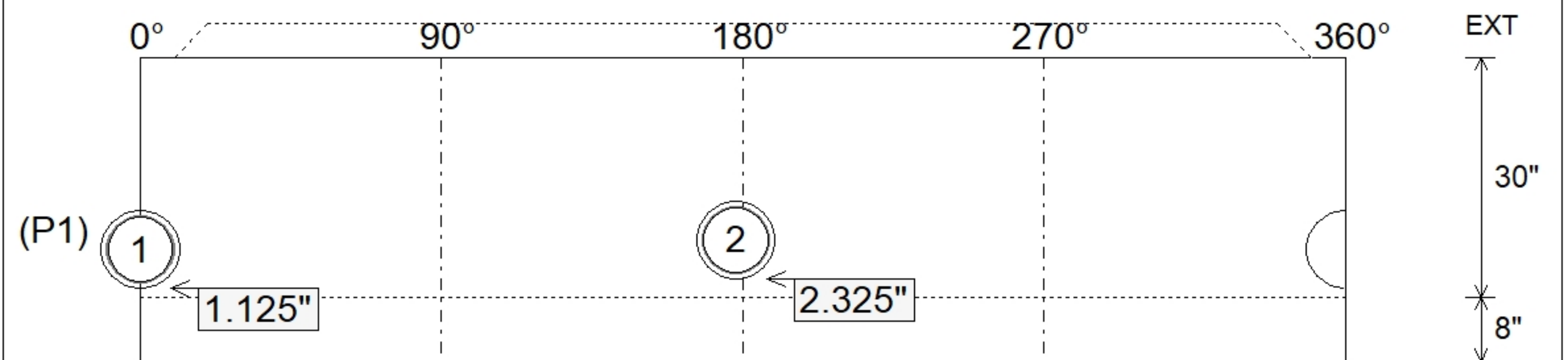
STRUCTURE SUMMARY:

P5) 24" - CASTING HEIGHT - 7"	0 lb
P4) 24" - GRADE RING w/ConBlock-CDA Red - 3"	202 lb
P3) 48" - ECC CONE w/ 24" HOLE, w/ConBlock-CDA Red - 36"	2251 lb
P2) 48" - MH RISER w/ConBlock-CDA Red - 24"	1677 lb
P1) 48" - MH BASE w/FLANGE (08F/08EF) w/ConBlock-CDA Red - 30"	4920 lb
1) ADMIXTURE CONBLOCK CDA RED	0 lb
1) 48" - MH INVERT CHANNEL w/ConBlock-CDA Red - FULL HEIGHT	1440 lb
1) JOINT WRAP PRIMER - CONSEAL CS-75 (1 gal.)	0 lb
1) JOINT WRAP - 0.065"x6"x50' CONSEAL CS212	0 lb
1) CASTING - HOE MC-375 F/C Sanitary	271 lb
2) 48" - Conseal CS-102 1.00"	0 lb
2) A-Lok - 0285	2 lb
7) MH Step ML-10-TDS-NCR - 10"	0 lb
Structure Total:	10763 lb



Position	Elev	Angle	Pipe	Pipe OD	Hole	Connector	Up (")	Ref
Rim	720.82'							
Reducer								
Invert 1	712.6'	0°	8" PVC SDR35	8.5"	9.75"	A-Lok 0285	1.125"	P1
Invert 2	712.7'	178°	8" PVC SDR35	8.5"	9.75"	A-Lok 0285	2.325"	P1
Invert 3								
Invert 4								
Invert 5								
Invert 6								
Invert 7								
Invert 8								

Default - Interior Dimensions



Submittal Drawing
 3/31/2026 10:28:33 AM

SUBMITTAL
 APPROVED BY: