

Job Name: 25-3462B - Corvette Museum Material
Job Location: Bowling Green, KY
Contractor: National Corvette Museum c/o Scotty's Contracting

PC: C. Goff
 TECH: J. Horsley
 Plant: 100



Structure ID: DI-11 (3)
 Spec: Storm
 Type: STM.MH (Recessed pipe)
 Size: 48"

Rim: 504.8'
 Invert: 500.41'
 Rim to Invert: 4.39'

Sump: 0"
 Floor (Top): 500.41'
 Floor Height: 6"

Floor (Bot): 499.91'
 Overall Height: 4.833'
 Slack: 0.68"

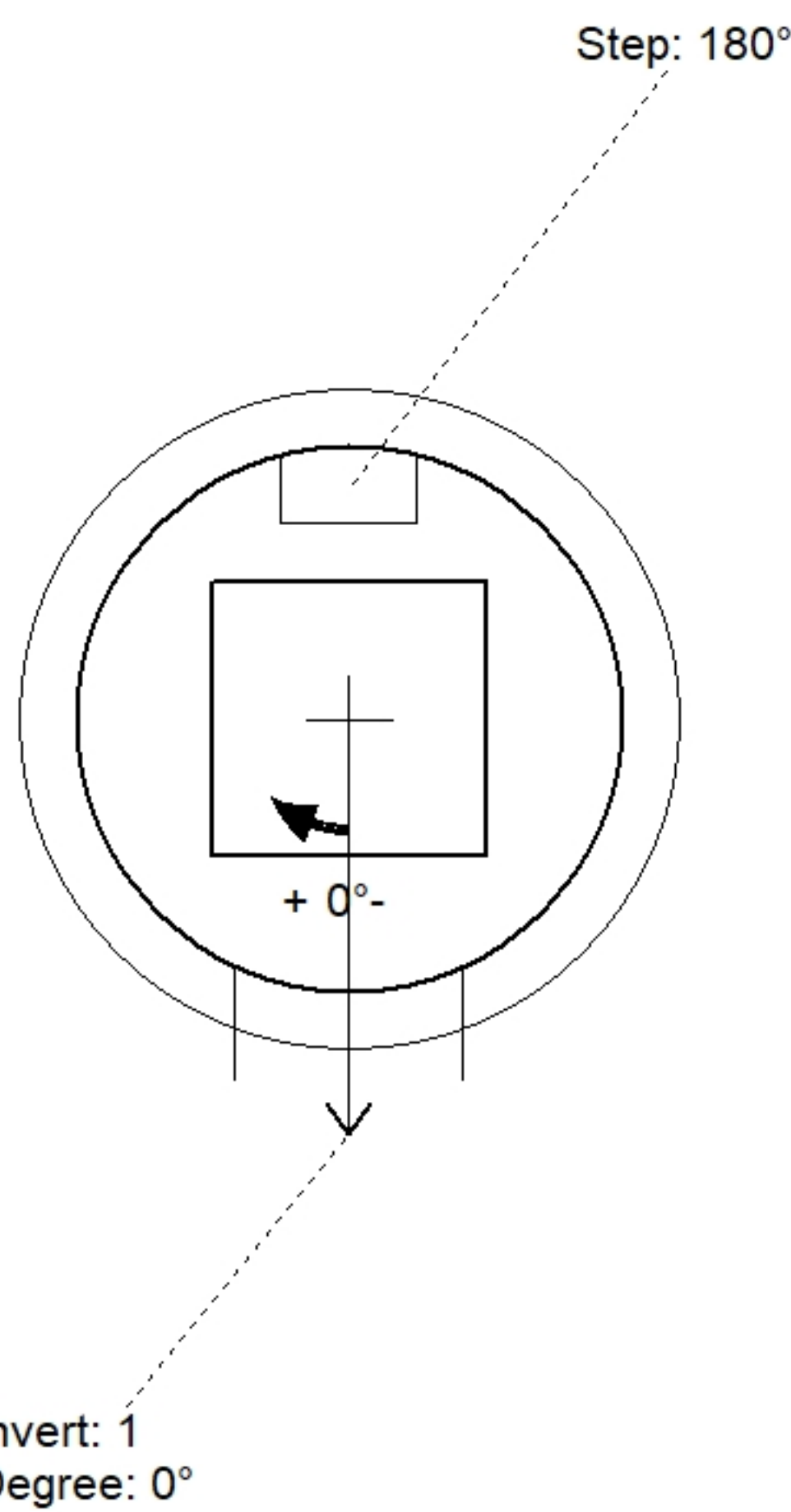
Structure Notes:

1. PER ASTM C478 SPECIFICATIONS.
2. CONCRETE = 4,000 PSI AT 28 DAYS.
3. NO INVERT CHANNEL.
4. CASTING BY I-CAST (JBS 4190-L F/G).

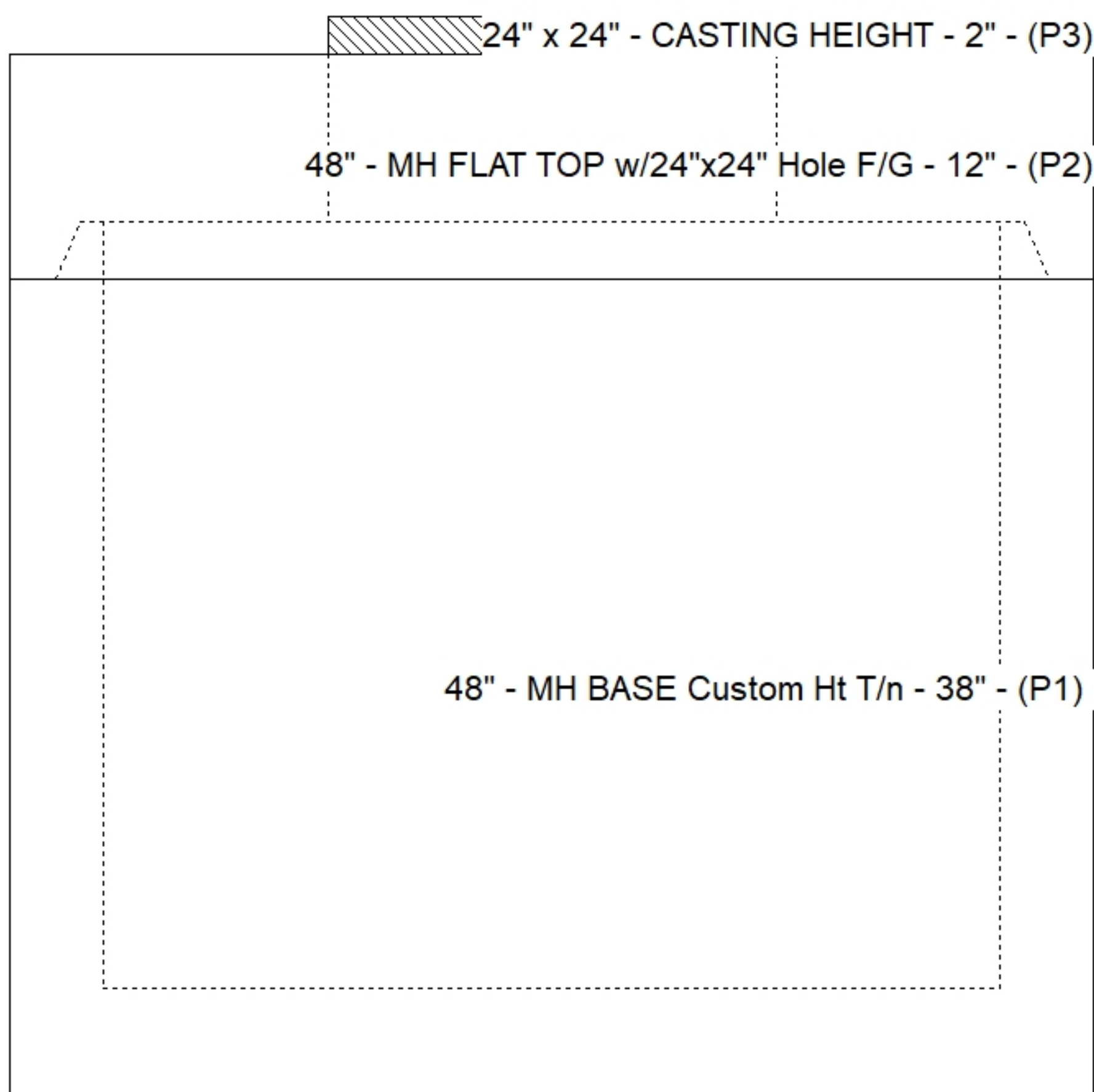
REINFORCING PER ASTM A615 (GRADE 60).
 - TOP SLAB (As .62) #5 BARS AT 6" C.C.E.W..
 - RISER/WALLS (As .18)
 - FLOOR (As .37) #5 BARS AT 10" C.C.E.W.

STRUCTURE SUMMARY:

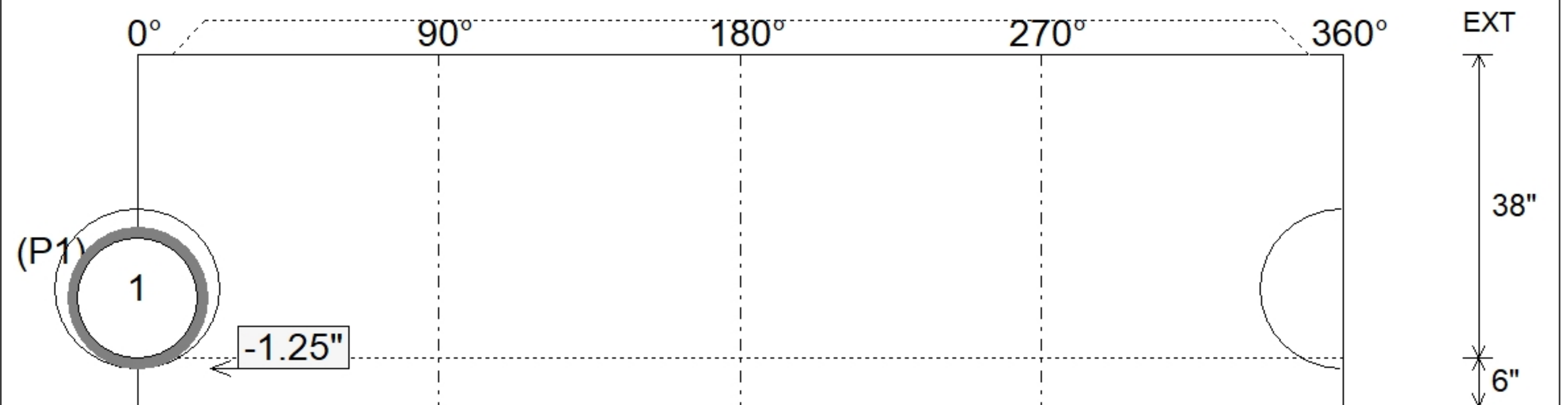
P3) 24" x 24" - CASTING HEIGHT - 2"	0 lb
P2) 48" - MH FLAT TOP w/24"x24" Hole F/G - 12"	1500 lb
P1) 48" - MH BASE Custom Ht T/n - 38"	3850 lb
1) CASTING - JBS 4190-L F/G	335 lb
1) 48" - Conseal CS-102 1.00"	0 lb
1) Hole - 20	0 lb
3) MH Step ML-10-TDS-NCR - 10"	0 lb
Structure Total:	5685 lb



Position	Elev	Angle	Pipe	Pipe OD	Hole	Connector	Up ()	Ref
Rim	504.8'							
Reducer								
Invert 1	500.41'	0°	15" HDPE	17.6"	20"	Hole 20	-1.25"	P1
Invert 2								
Invert 3								
Invert 4								
Invert 5								
Invert 6								
Invert 7								
Invert 8								



Cast (Int. Dim.) - Interior Dimensions



Submittal Drawing
 2/6/2026 9:26:53 AM

SUBMITTAL
 APPROVED BY: