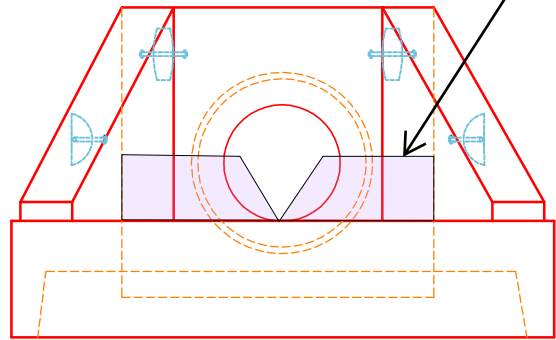


PLAN VIEW



FRONT ELEVATION

PIPE Ø	DIMENSIONS										WEIGHT
	A	B	C	D	E	F	G	H	I		
12"	2'-9"	3'-6"	2'-0"	1'-6"	4'-0"	3"	2 ³ / ₈ "	1'-6"	4'-9"	3,161 LBS.	
15"	2'-9"	3'-6"	2'-0"	1'-6"	4'-0"	3"	2 ³ / ₈ "	1'-10"	4'-9"	3,161 LBS.	
18"	3'-6"	4'-4"	2'-10"	1'-6"	5'-0"	4"	3 ¹ / ₄ "	2'-2"	6'-0"	5,127 LBS.	
24"	3'-6"	4'-4"	2'-10"	1'-6"	5'-0"	4"	3 ¹ / ₄ "	2'-10"	6'-0"	5,127 LBS.	

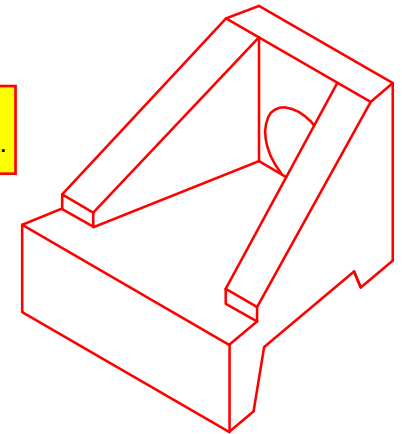
stock 12" S/F HDW, HW13

HW-14

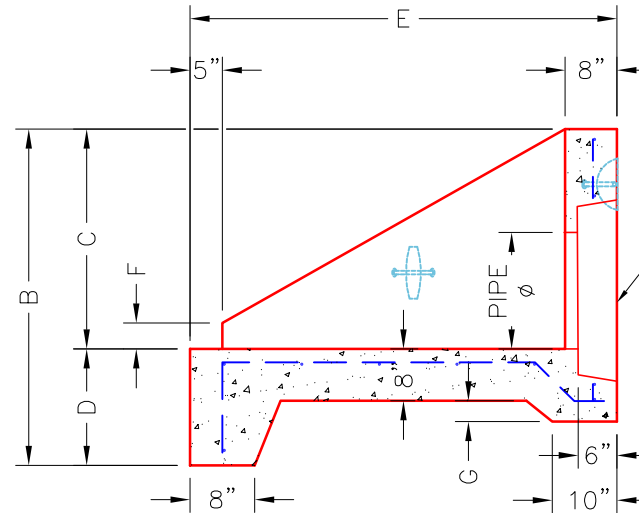
"A-ANCHOR" LIFTING SYSTEM FOR PLANT & FIELD HANDLING.

WEIR WALL WITH V NOTCH HEIGHT = 1/2 PIPE DIA

Steel Orifice Plate to be supplied by others.



ISOMETRIC VIEW



SECTION A-A

STEPPED HOLE FORMER FOR CORRESPONDING PIPE Ø. (PIPE O.D. + 3"-4")

~NOTES:

1. CONCRETE: KYTC APPROVED.
2. REINFORCING: #4 BAR @ 12" C/C E.W.-GRADE 60, (WITH 2" CONCRETE COVER MINIMUM)
3. REINFORCING BARS TO BE TACK WELDED OR TIED.
4. PIPE AND LIFTING ANCHOR POCKETS TO BE GROUTED WITH KYTC APPROVED NON-SHRINK GROUT.
5. DRAWING TO BE USED IN CONJUNCTION WITH KYTC STD. DRAWING RDH-020-03 AND THE STANDARD SPECIFICATIONS FOR ROAD AND BRIDGE CONSTRUCTION.
6. 3/4" CHAMFER ON ALL EXPOSED EDGES.
7. PREFORMED STEPPED HOLE SIZED AS PER O.D. OF PIPE + 3"-4".

Job #: 24-3462
Job name: Corvette
Contractor: National Corvette Museum
c/o Scotty's Contracting

APPROVED FOR DESIGN ONLY

BY: _____
 DATE: _____ 1/19/2021 1:18 PM

DIVISION OF CONSTRUCTION

INFRASTRUCTURE PRECAST, INC.
 981 WEST 7TH ST., BEAVER DAM, KY. 42320
 PHONE: (270) 363-2238, FAX: (270) 298-7424

KYTC 12"-24" SLOPED & FLARED HEADWALL

DRAWING NO.: KYTC SF-HW DATE: 12-14-20
 REVIEWED BY: J.H. ROSS, PE DRAWN BY: N. RICHARDS
 WEB: WWW.ICASTINC.COM SCALE: NTS

