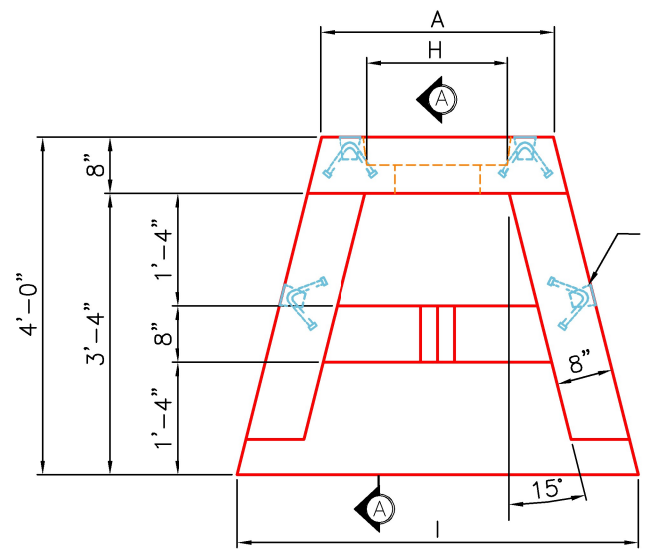
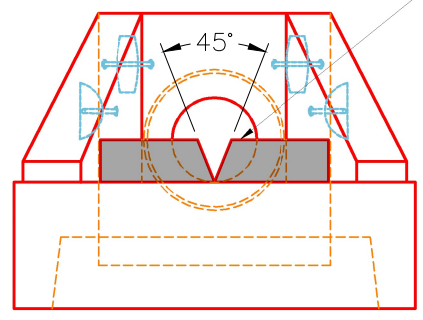


DIMENSIONS										
PIPE ϕ	A	B	C	D	E	F	G	H	I	WEIGHT
12"	2'-9"	3'-6"	2'-0"	1'-6"	4'-0"	3"	2 $\frac{3}{8}$ "	1'-8"	4'-9"	3,161 LBS.



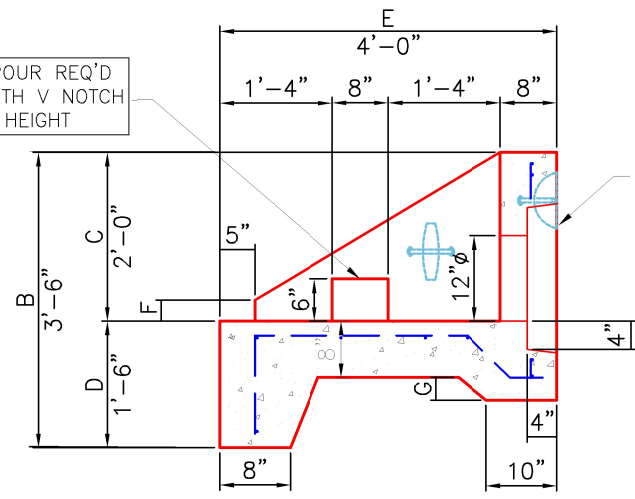
PLAN VIEW

"A-ANCHOR" LIFTING SYSTEM FOR PLANT & FIELD HANDLING.

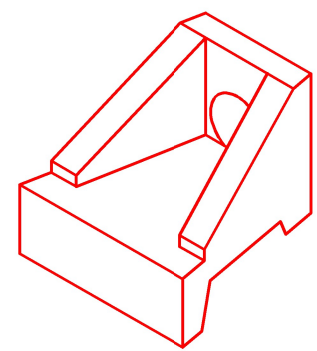


FRONT ELEVATION

SECONDARY POUR REQ'D WEIR WALL WITH V NOTCH 8" THK x 6" HEIGHT



SECTION A-A




ISOMETRIC VIEW
12" ϕ HEADWALL

12" ϕ TO 20" ϕ STEPPED HOLE FORMER FOR 12" ϕ PIPE. 12" ϕ TO BE FLUSH WITH FLOOR.

~NOTES:

1. CONCRETE: 4500 PSI @ 28 DAYS.
2. REINFORCING: #4 BAR @ 12" C/C E.W.-GRADE 60, (WITH 2" CONCRETE COVER MINIMUM)
3. REINFORCING BARS TO BE TACK WELDED OR TIED.
4. DRAWING TO BE USED IN CONJUNCTION WITH KYTC STD. DRAWING RDH-020-03 AND THE STANDARD SPECIFICATIONS FOR ROAD AND BRIDGE CONSTRUCTION.
5. $\frac{3}{8}$ " CHAMFER ON ALL EXPOSED EDGES.

PRODUCTION WORK ORDER		PRODUCT I.D.: HWSF12CUST	DESCRIPTION: KYTC 12" ϕ SLOPED & FLARED HEADWALL	
	QUALITY CONTROL CHECKLIST	PRODUCT VIEW: RIGHT SIDE UP	CUSTOMER: NATIONAL CORVETTE MUSEUM c/o SCOTTY'S	
	<input type="checkbox"/> ALL DIMENSIONS CORRECT.	PLANT: BEAVER DAM, KY.	PROJECT: CORVETTE MUSEUM MATERIAL	
	<input type="checkbox"/> LIFTERS INSTALLED.	WEIGHT: 3,161 LBS.	STRUCTURE ID.: HW 13	
	<input type="checkbox"/> STEPPED HF CORRECT SIZE.	TOP SECTION JOINT: N/A	QUOTE/SALES ORDER NO: 25-3462	
	<input type="checkbox"/> REINFORCING CORRECT.	BASE SECTION JOINT: N/A	CHECK: B. SMITH	DRAWING: J. HORSLEY
<input type="checkbox"/> DISSIPATOR BLOCK INSTALLED.	QC CHECK INITIALS:	DATE: 12/08/25	SCALE: NTS	PG. 1 of 1
<input type="checkbox"/> EDGES CHAMFERED.				
<input type="checkbox"/> ALL PATCHWORK ACCEPTABLE.				